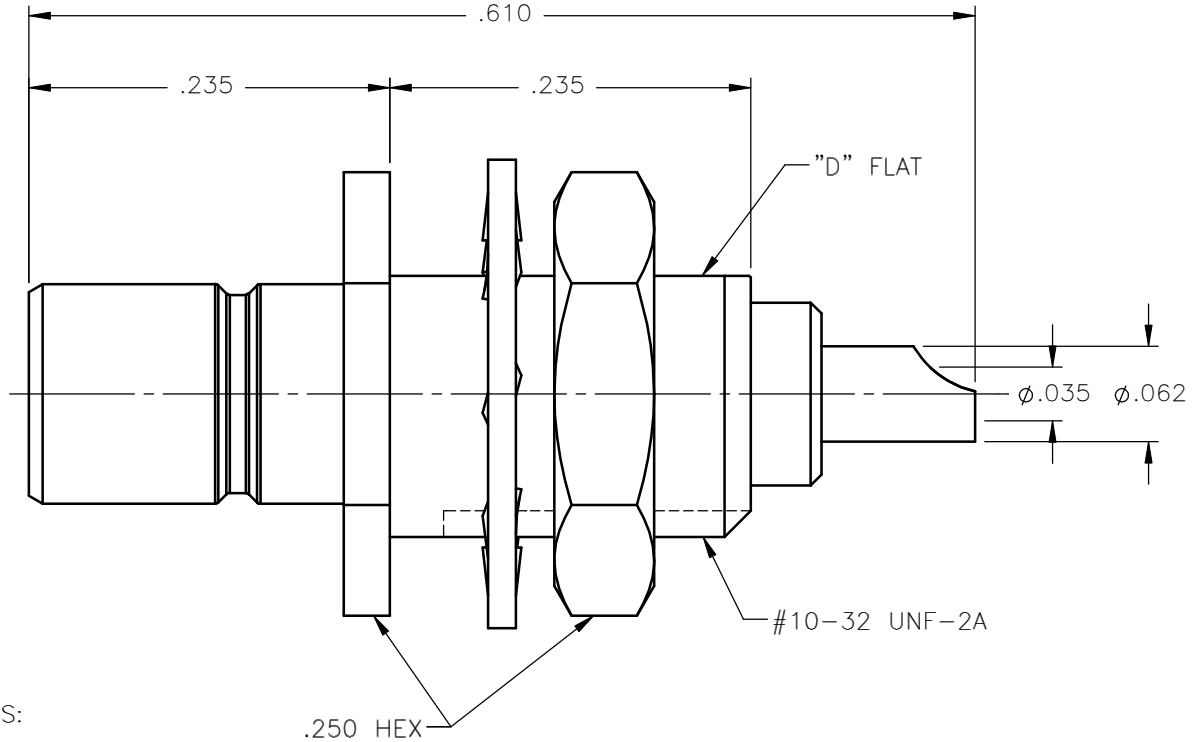


REVISIONS			
REV.	DESCRIPTION	DATE	APPROVED
A	ECN #7766	11/10/09	A.D.M.



NOTES:


MATERIALS:

1. INSULATOR = VIRGIN WHITE TEFLON PER ASTM D1710, GRADE 1, TYPE I, CLASS "B".
2. LOCKWASHER = PHOSPHOR BRONZE PER ASTM B139, COPPER ALLOY C53400, TEMPER H04.
3. ALL OTHER METAL PARTS = BRASS PER ASTM B16, ALLOY C36000, TEMPER H02.

FINISHES:

1. CONTACT = GOLD PLATE PER MIL-G-45204, TYPE II, CLASS 1, GRADE C, OVER .00010 TO .00020 STRESS FREE SULFAMATE NICKEL PER QQ-N-290.
2. ALL OTHER METAL PARTS = NICKEL PLATE PER QQ-N-290, CLASS 1, GRADE G, EXCEPT .0001 TO .0002 THICK OVER .00005 TO .0001 THICK COPPER PER MIL-C-14550.

Property of Radiall Incorporated
This document cannot be reproduced or
communicated to a third party without prior
written permission of RADIALL Incorporated.

UNLESS OTHERWISE SPECIFIED DIMENSIONS ARE IN INCHES TOLERANCES ON	DWN:	DATE	 APPLIED ENGINEERING PRODUCTS 104 John W. Murphy Dr. New Haven, CT 06513 a RADIALL company				
	A.D.M.	11/10/09					
DECIMAL	ANGLE	CHKD:	DATE	SMB STRAIGHT MALE JACK BULKHEAD FRONT MOUNT SOLDER POT CONTACT			
		D.N.	11/10/09				
		APVD:	DATE				
		J.M.	11/10/09	SIZE	FSCM NO.	DWG NO.	REV
REFERENCE:	MATERIALS & FINISHES:		A	19505	2019-7511-000	A	
ORIGINATED: D.N. DATE: 11/10/95	SEE NOTES		SCALE	8:1	THIRD ANGLE PROJECTION	SHEET 1 OF 1	

2019-7511-000