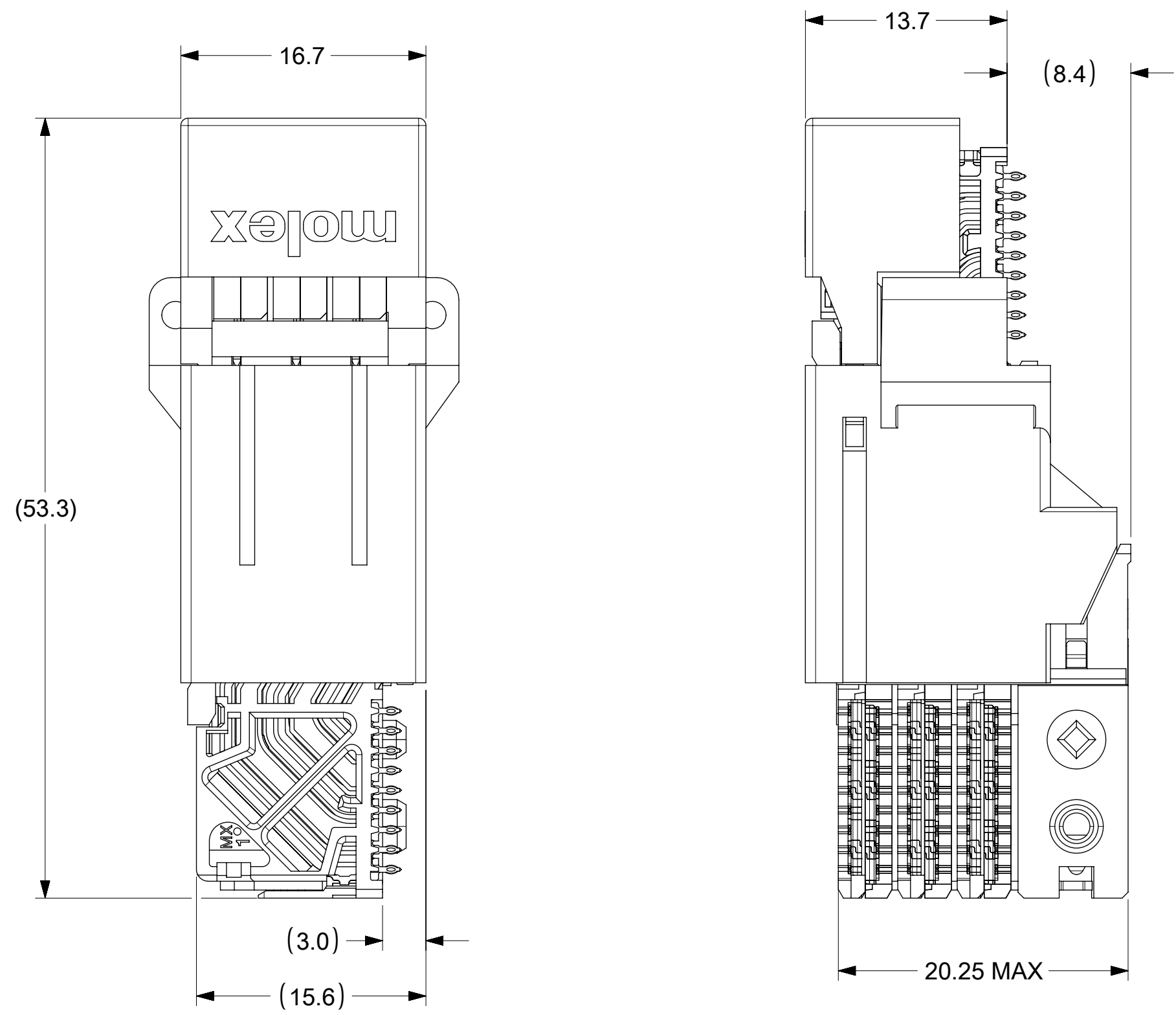


## OD-RAM HOLE PATTERN (CONNECTOR SIDE)

THIS DRAWING CONTAINS INFORMATION THAT IS PROPRIETARY TO MOLEX ELECTRONIC TECHNOLOGIES, LLC AND SHOULD NOT BE USED WITHOUT WRITTEN PERMISSION											
DIMENSION UNITS		SCALE		CURRENT REV DESC: MIGRATED TO NX							
mm		NTS									
GENERAL TOLERANCES (UNLESS SPECIFIED)										IMPACT ORTHOGONAL DIRECT	
ANGULAR TOL ± 0.5°				EC NO: 705090						3 PAIR RAM 90 & 270 ASSY BOTTOM GUIDED SALES DWG	
4 PLACES ±				DRWN: ABN						2018/08/29	
3 PLACES ±				CHK'D: VINODM3						2022/02/17	
2 PLACES ± 0.13				APPR: LZENG						2022/05/13	
1 PLACE ± 0.25				INITIAL REVISION:						DOCUMENT NUMBER	
0 PLACES ±				DRWN: JMENDOZA						SD-171573-0003	
				APPR: JMENDOZA						DOC TYPE DOC PART REVISION	
DRAFT WHERE APPLICABLE MUST REMAIN WITHIN DIMENSIONS				THIRD ANGLE PROJECTION		DRAWING		SERIES		MATERIAL NUMBER CUSTOMER SHEET NUMBER	
						C-SIZE		171573		SEE TABLE GENERAL MARKET 1 OF 4	



**MATED DIMENSIONS**  
(POSITION 90° SHOWN)

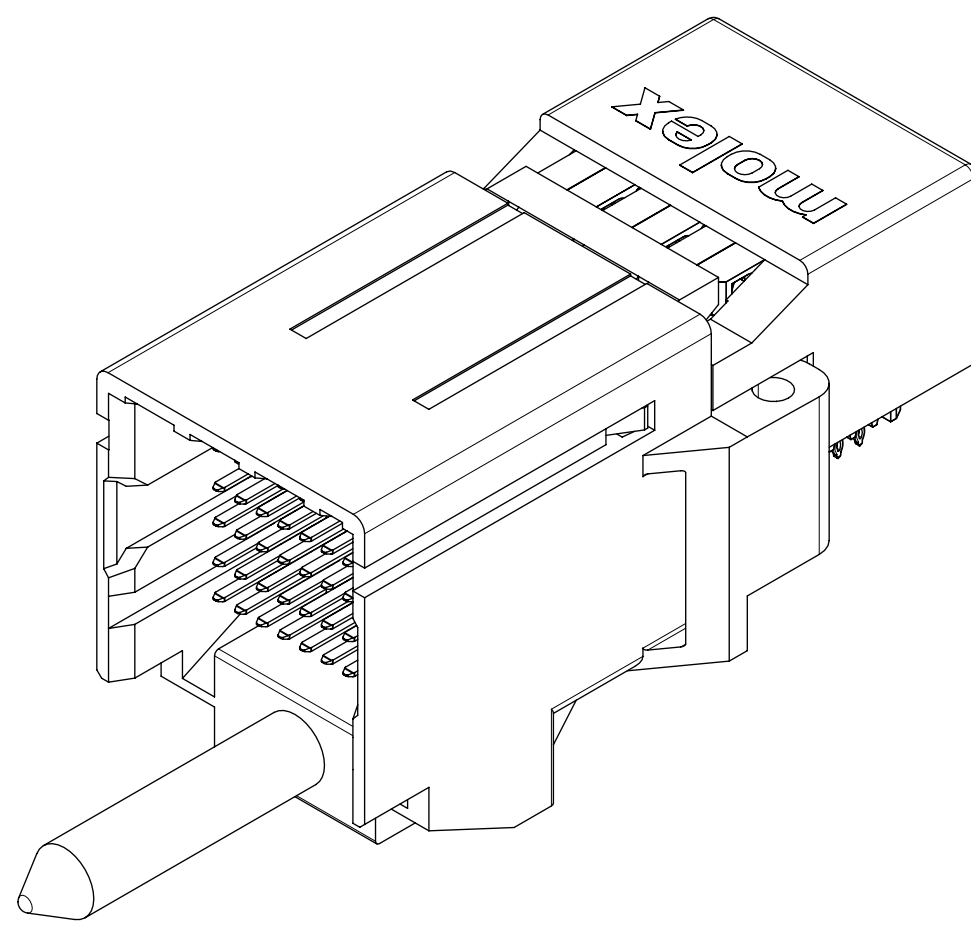
**171573 - 96 \* \***

MODULE TYPE  
9 = BOTTOM GUIDED, TIN

# OF COLUMNS  
6 = 6 COLUMN

PIN LENGTH (P)  
4 = 4.90 (0.46 PTH)  
5 = 5.50 (0.46 PTH)  
7 = 4.90 (0.39 PTH)  
8 = 5.50 (0.39 PTH)

MATE POSITION  
0 = 90 DEGREE  
3 = 270 DEGREE

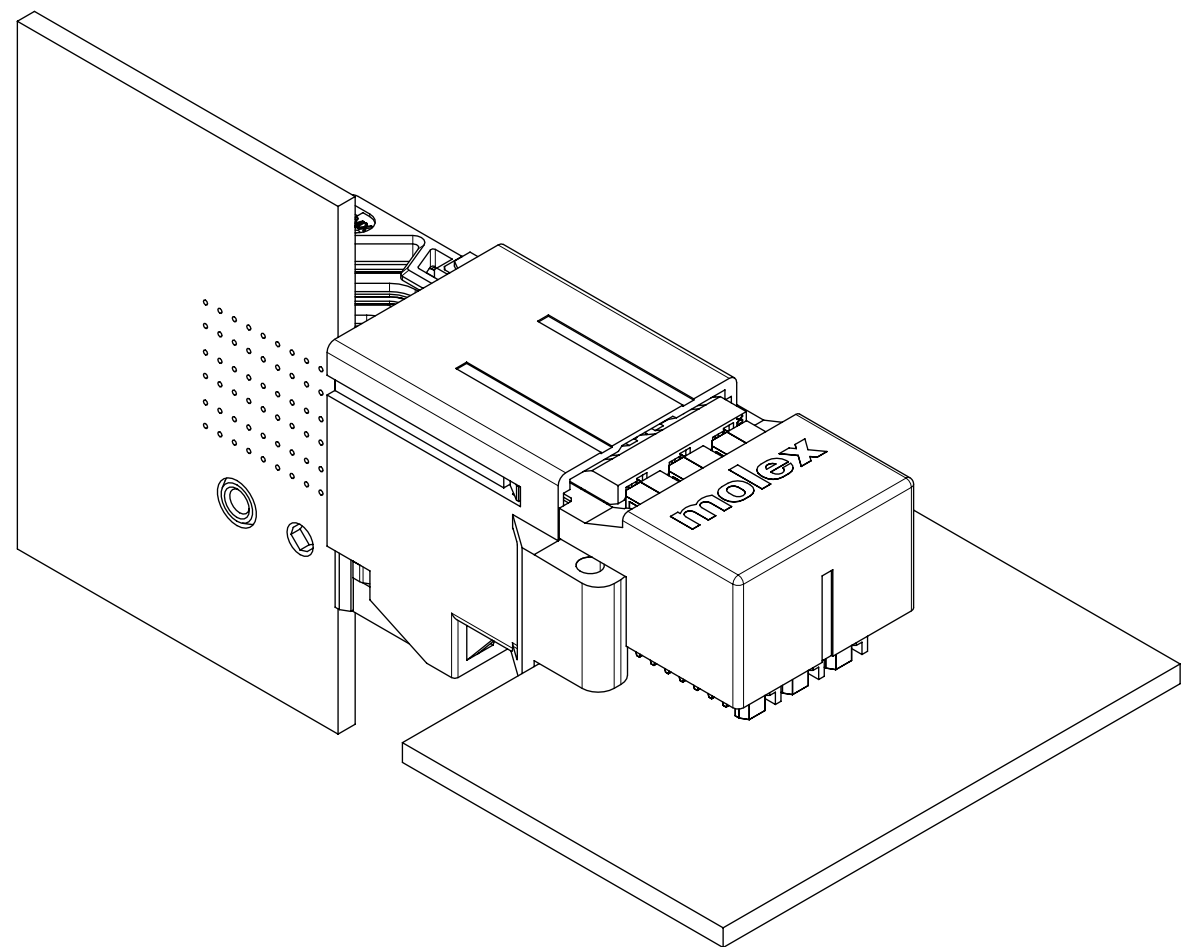


- NOTES:**
- MATERIALS: HOUSING - LIQUID CRYSTAL POLYMER (LCP)  
GLASS-FILLED, UL94V-0  
TERMINALS - HIGH PERFORMANCE COPPER ALLOY
  - FINISH: 30μ MIN GOLD IN CONTACT AREA.  
SELECTIVE TIN ON PCB TAILS.  
NICKEL OVERALL.
  - REFER TO MOLEX PRODUCT SPECIFICATION PS-76060-999  
FOR PERFORMANCE SPECIFICATIONS AND ADDITIONAL PCB INFORMATION.
  - THIS PART CONFORMS TO CLASS B REQUIREMENTS OF  
COSMETIC SPEC PS-45499-002.
  - PACKAGE PER: PK-70873-8019.
  - SEE SHEETS 3 FOR ORTHOGONAL PIN MAPPING.
  - REFER TO SHEET 3 AND 4 FOR THE MATING RECEPTACLES.
  - REFER TO MOLEX ROUTING GUIDE AS-76850-990 FOR ADDITIONAL PCB LAYOUT  
AND ROUTING RECOMMENDATIONS.
  - CONNECTORS ARE SUPPLIED WITH TWO 2-32 THREAD FORMING SCREWS.
  - THESE DIMENSIONS REPRESENT THE AREA NEEDED TO ACCOMODATE CONNECTOR  
INSERTION AND REPAIR ON THE PC BOARD. THIS IS REFERRED TO AS THE  
"CONNECTOR KEEP OUT ZONE" AND DOES NOT REPRESENT THE ACTUAL PERIMETER  
OF THE CONNECTOR.
  - MARKING: LOCATED APPROXIMATELY AS SHOWN, ON BOTTOM OR TOP HOUSING.  
PART NUMBER AND DATE CODE.

THIS DRAWING CONTAINS INFORMATION THAT IS PROPRIETARY TO MOLEX ELECTRONIC TECHNOLOGIES, LLC AND SHOULD NOT BE USED WITHOUT WRITTEN PERMISSION									
DIMENSION UNITS		SCALE		CURRENT REV DESC: MIGRATED TO NX				<b>molex</b>	
mm		NTS							
GENERAL TOLERANCES (UNLESS SPECIFIED)				EC NO: 705090				IMPACT ORTHOGONAL DIRECT	
ANGULAR TOL ± 0.5°				DRWN: ABN 2018/08/29				3 PAIR RAM 90 & 270 ASSY BOTTOM GUIDED SALES DWG	
4 PLACES ±				CHK'D: VINODM3 2022/02/17				PRODUCT CUSTOMER DRAWING	
3 PLACES ±				APPR: LZENG 2022/05/13					
2 PLACES ± 0.13				INITIAL REVISION:				DOCUMENT NUMBER	
1 PLACE ± 0.25				DRWN: JMENDOZA 2012/12/14					
0 PLACES ±				APPR: JMENDOZA 2012/12/14				SD-171573-0003	
DRAFT WHERE APPLICABLE MUST REMAIN WITHIN DIMENSIONS		THIRD ANGLE PROJECTION		DRAWING		SERIES		MATERIAL NUMBER	
				C-SIZE		171573		SEE TABLE	
						GENERAL MARKET		SHEET NUMBER	
								2 OF 4	

# ORTHO POSITION 90°

OD-RAM PIN A1 MAPS  
TO RAF PIN J6



REFER TO MOLEX SALES DRAWING SD - 76860-004  
FOR MATING RECEPTACLES.


## ORTHO PIN MAPPING

OPTION 90 (NEARSIDE - FAR SIDE)					
A1-J6	A2-H6	A3-F6	A4-E6	A5-C6	A6-B6
B1-J5	B2-G6	B3-F5	B4-D6	B5-C5	B6-A6
C1-H5	C2-G5	C3-E5	C4-D5	C5-B5	C6-A5
D1-J4	D2-H4	D3-F4	D4-E4	D5-C4	D6-B4
E1-J3	E2-G4	E3-F3	E4-D4	E5-C3	E6-A4
F1-H3	F2-G3	F3-E3	F4-D3	F5-B3	F6-A3
G1-J2	G2-H2	G3-F2	G4-E2	G5-C2	G6-B2
H1-J1	H2-G2	H3-F1	H4-D2	H5-C1	H6-A2
J1-H1	J2-G1	J3-E1	J4-D1	J5-B1	J6-A1

NOTE: PINOUTS SHOWN IN BALLOONS ARE GROUNDS.  
GROUND PATHS ARE NOT DISCRETE CIRCUITS.

MATERIAL NUMBER	# OF COLUMNS	# OF DIFF PAIR	MATE POSITION	DIM P	PTH Ø
171573-9604	6	18	90	4.90	0.46±0.05
171573-9605	6	18	90	5.50	0.46±0.05
171573-9607	6	18	90	4.90	0.39±0.05
171573-9608	6	18	90	5.50	0.39±0.05

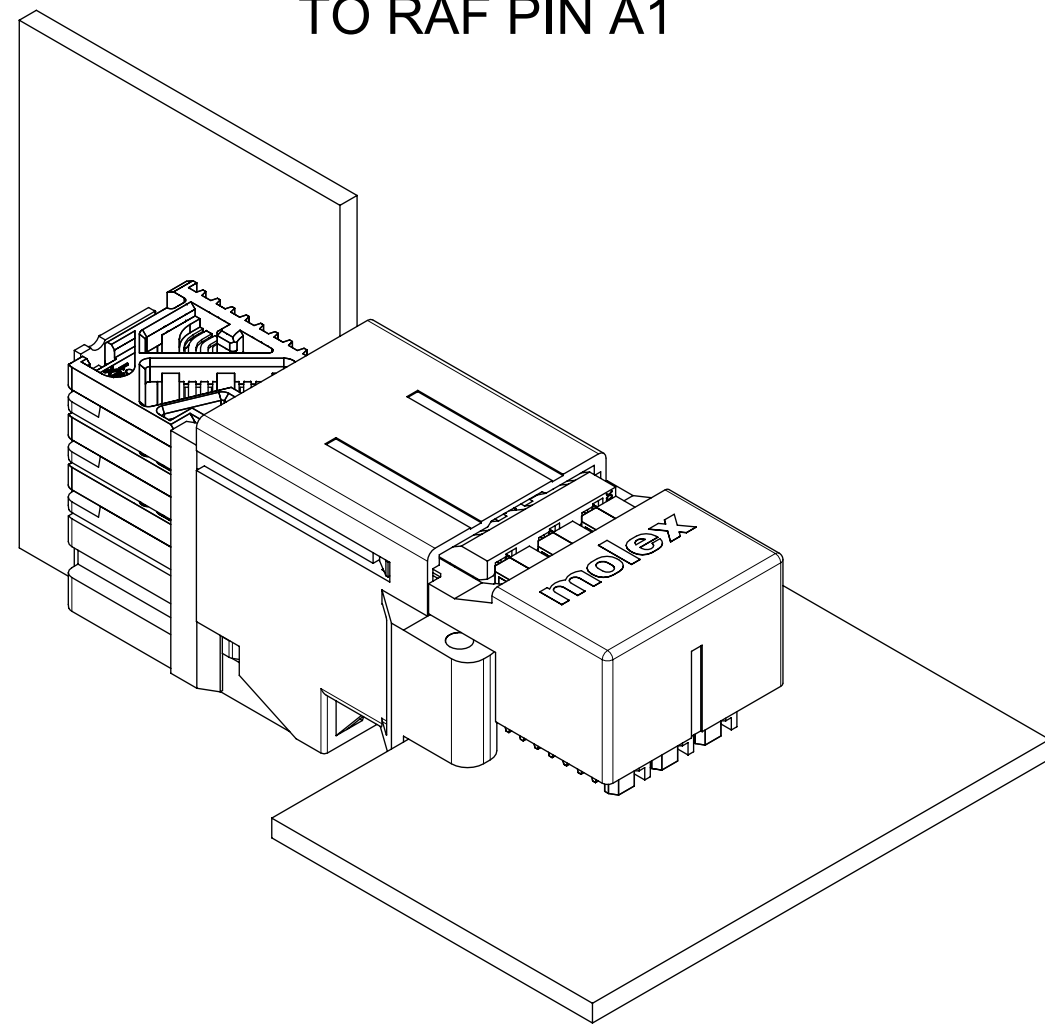
THIS DRAWING CONTAINS INFORMATION THAT IS PROPRIETARY TO MOLEX ELECTRONIC TECHNOLOGIES, LLC AND SHOULD NOT BE USED WITHOUT WRITTEN PERMISSION

DIMENSION UNITS	SCALE	CURRENT REV DESC: MIGRATED TO NX						
mm	NTS							
GENERAL TOLERANCES (UNLESS SPECIFIED)		EC NO: 705090		IMPACT ORTHOGONAL DIRECT				
ANGULAR TOL ± 0.5°		DRWN: ABN 2018/08/29		3 PAIR RAM 90 & 270 ASSY BOTTOM GUIDED SALES DWG				
4 PLACES ±		CHK'D: VINODM3 2022/02/17		PRODUCT CUSTOMER DRAWING				
3 PLACES ±		APPR: LZENG 2022/05/13		DOCUMENT NUMBER				
2 PLACES ± 0.13		INITIAL REVISION:		SD-171573-0003		DOC TYPE	DOC PART	REVISION
1 PLACE ± 0.25		DRWN: JMENDOZA 2012/12/14		PSD		001	C1	
0 PLACES ±		APPR: JMENDOZA 2012/12/14		MATERIAL NUMBER		CUSTOMER		SHEET NUMBER
DRAFT WHERE APPLICABLE MUST REMAIN WITHIN DIMENSIONS		THIRD ANGLE PROJECTION	DRAWING	SERIES	SEE TABLE	GENERAL MARKET	3 OF 4	

# ORTHO POSITION 270°

OD-RAM PIN A1 MAPS

TO RAF PIN A1



REFER TO MOLEX SALES DRAWING SD - 76860-002  
FOR MATING RECEPTACLES.

## ORTHO PIN MAPPING


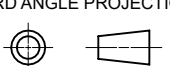
OPTION 270 (NEARSIDE - FAR SIDE)

A1-A1	A2-B1	A3-D1	A4-E1	A5-G1	A6-H1
B1-A2	B2-C1	B3-D2	B4-F1	B5-G2	B6-J1
C1-B2	C2-C2	C3-E2	C4-F2	C5-H2	C6-J2
D1-A3	D2-B3	D3-D3	D4-E3	D5-G3	D6-H3
E1-A4	E2-C3	E3-D4	E4-F3	E5-G4	E6-J3
F1-B4	F2-C4	F3-E4	F4-F4	F5-H4	F6-J4
G1-A5	G2-B5	G3-D5	G4-E5	G5-G5	G6-H5
H1-A6	H2-C5	H3-D6	H4-F5	H5-G6	H6-J5
J1-B6	J2-C6	J3-E6	J4-F6	J5-H6	J6-J6

NOTE: PINOUTS SHOWN IN BALLOONS ARE GROUNDS.  
GROUND PATHS ARE NOT DISCRETE CIRCUITS.

MATERIAL NUMBER	# OF COLUMNS	# OF DIFF PAIR	MATE POSITION	DIM P	PTH Ø
171573-9634	6	18	270	4.90	0.46±0.05
171573-9635	6	18	270	5.50	0.46±0.05
171573-9637	6	18	270	4.90	0.39±0.05
171573-9638	6	18	270	5.50	0.39±0.05

THIS DRAWING CONTAINS INFORMATION THAT IS PROPRIETARY TO MOLEX ELECTRONIC TECHNOLOGIES, LLC AND SHOULD NOT BE USED WITHOUT WRITTEN PERMISSION

DIMENSION UNITS	SCALE	CURRENT REV DESC: MIGRATED TO NX		 IMPACT ORTHOGONAL DIRECT 3 PAIR RAM 90 & 270 ASSY BOTTOM GUIDED SALES DWG		
mm	NTS					
GENERAL TOLERANCES (UNLESS SPECIFIED)		EC NO: 705090		PRODUCT CUSTOMER DRAWING		
ANGULAR TOL	± 0.5°	DRWN: ABN	2018/08/29	DOCUMENT NUMBER		
4 PLACES	±	CHK'D: VINODM3	2022/02/17	SD-171573-0003		
3 PLACES	±	APPR: LZENG	2022/05/13	DOC TYPE	DOC PART	REVISION
2 PLACES	± 0.13	INITIAL REVISION:		PSD	001	C1
1 PLACE	± 0.25	DRWN: JMENDOZA	2012/12/14	MATERIAL NUMBER		
0 PLACES	±	APPR: JMENDOZA	2012/12/14	CUSTOMER		
DRAFT WHERE APPLICABLE MUST REMAIN WITHIN DIMENSIONS		THIRD ANGLE PROJECTION	DRAWING	SERIES	SHEET NUMBER	
			C-SIZE	171573	SEE TABLE	4 OF 4

DOCUMENT STATUS	P1	RELEASE DATE	2022/05/13	03:05:09
-----------------	----	--------------	------------	----------