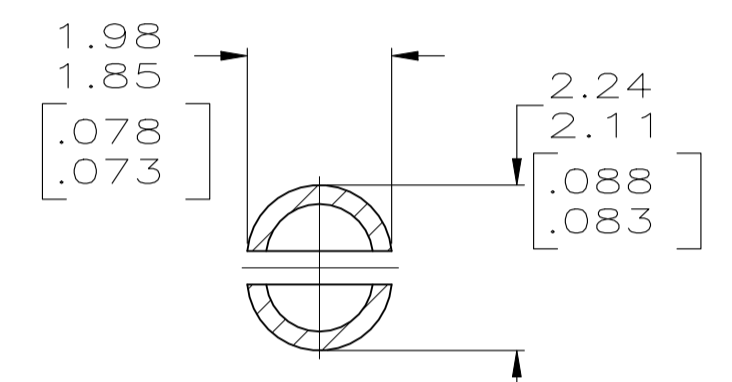
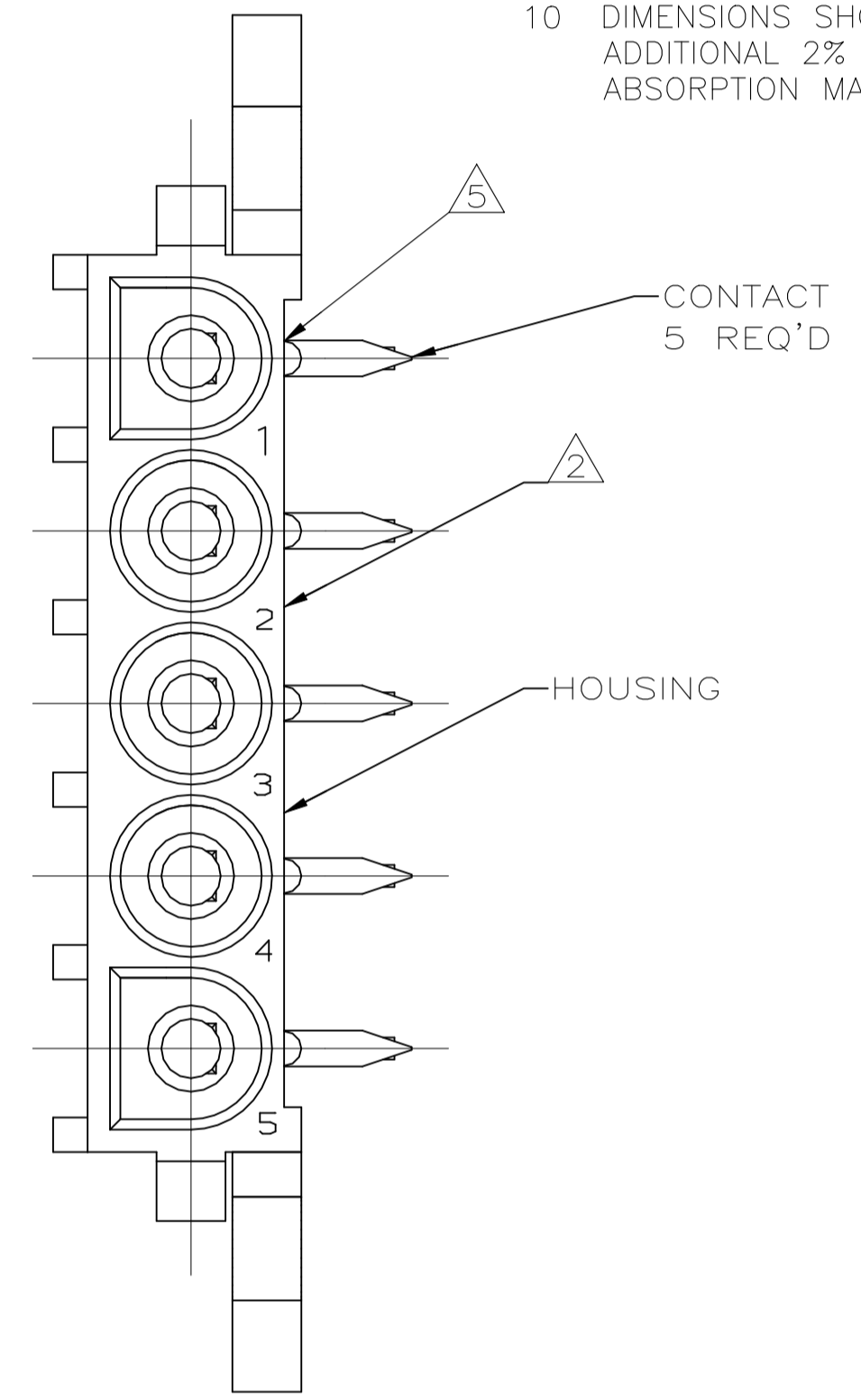
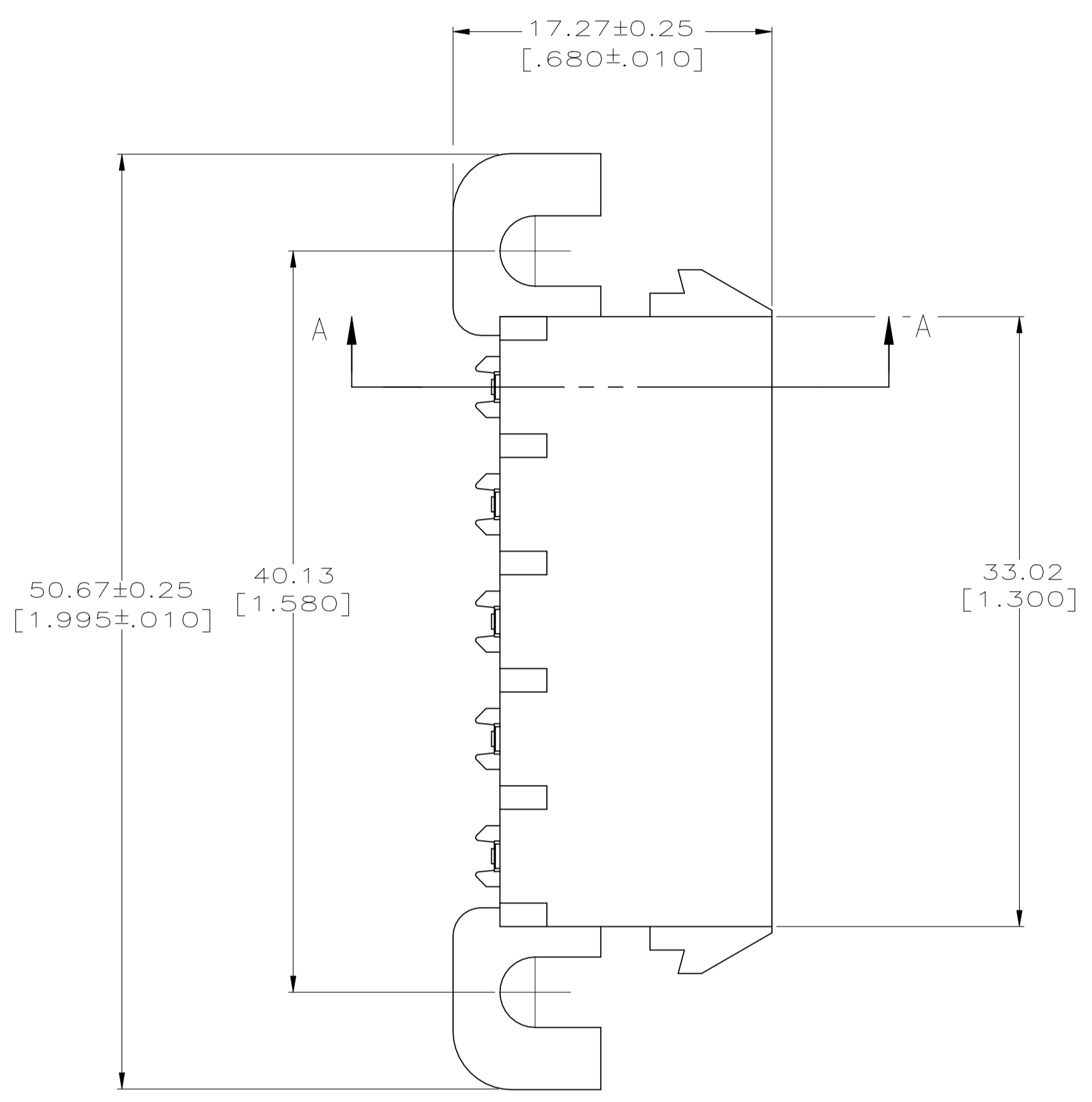
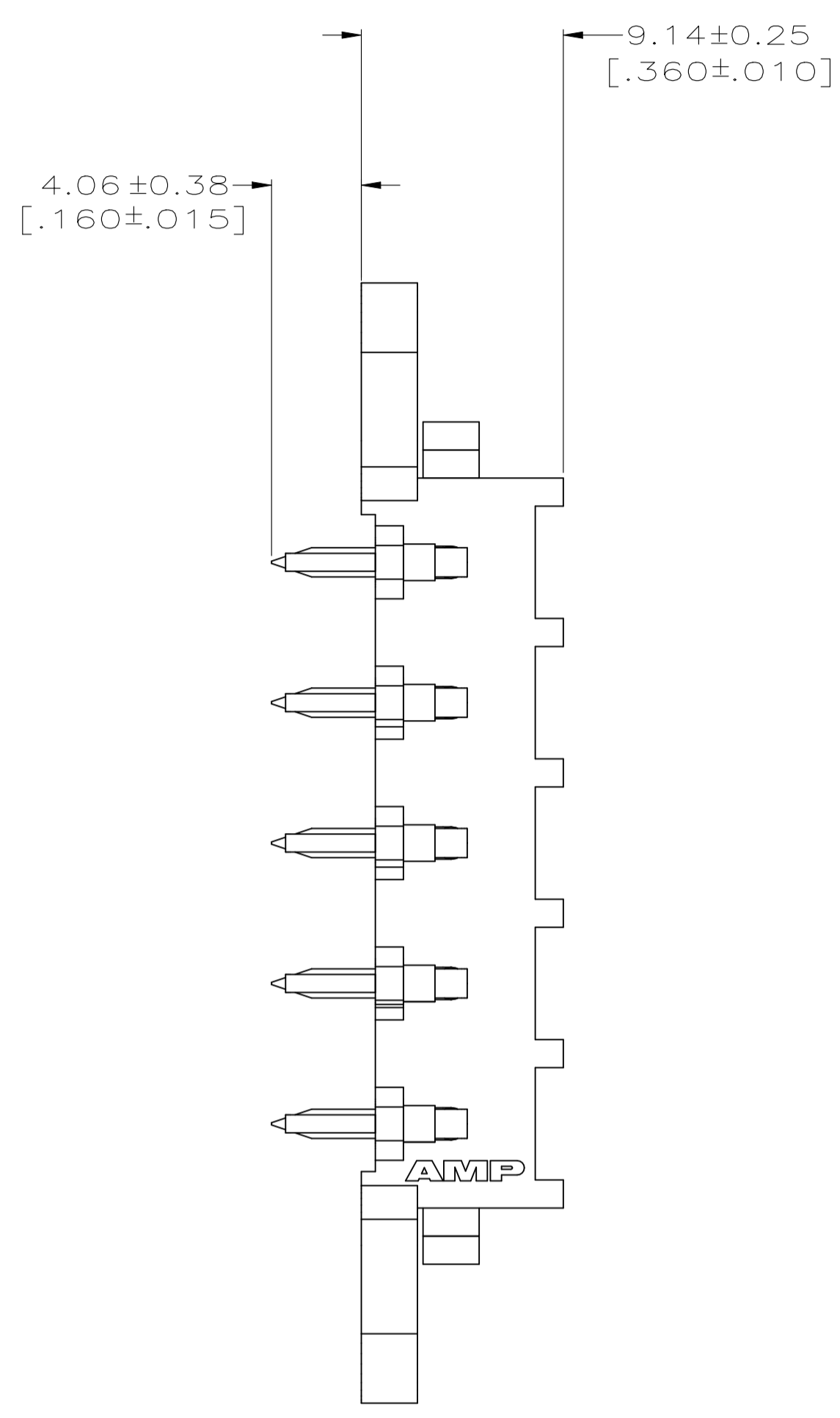
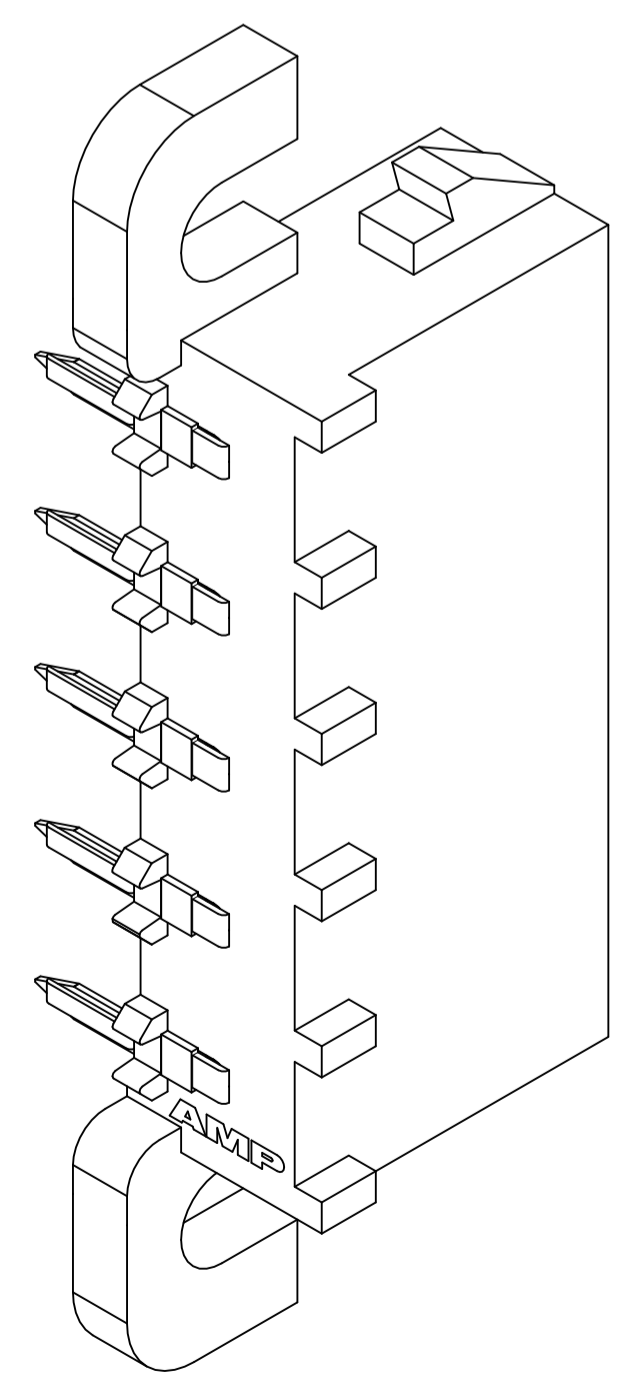


REVISIONS					
REV	DESCRIPTION	DATE	BY	APP'D	REV
B1	REVISED PER ECR-21-119230	02NOV2021	SS	VS	

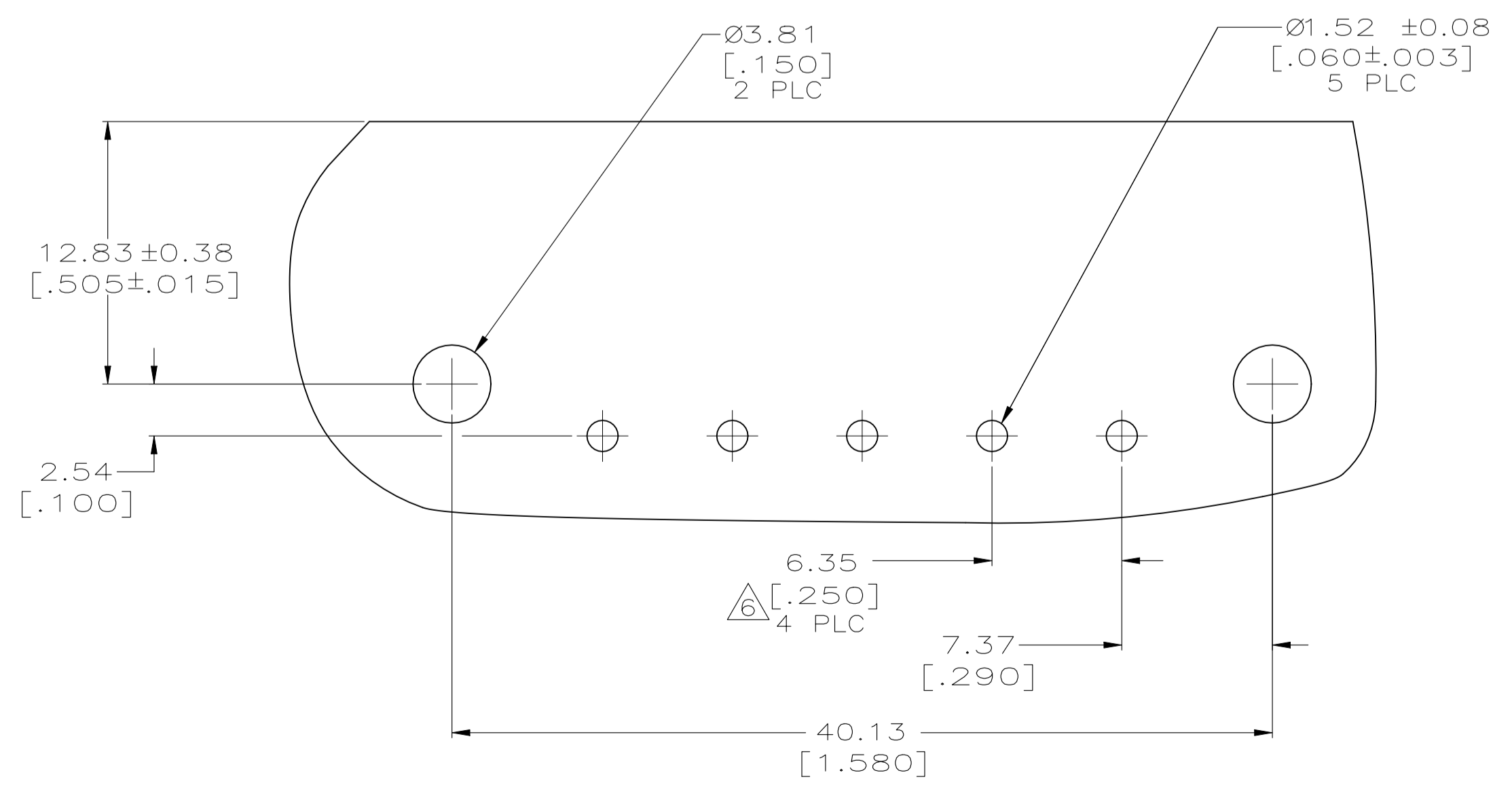
- PARTS COMPLY WITH AMP SOLDERABILITY SPECIFICATION 109-11-5.
- CIRCUIT IDENTIFICATION CHARACTERS ARE ADJACENT TO THE INDICATED CAVITIES, BUT LOCATION AND ORIENTATION MAY DIFFER FROM PRINT.
- TOLERANCE NON-CUMULATIVE
- DIMENSIONS IN BRACKETS ARE IN INCHES.
- OPTIONAL CONSTRUCTION MAY DELETE THIS RIB.
- FLAMMABILITY V2 FOR THICKNESS 0.38mm, 1.5mm, and 3.0mm PER IEC 60695-11-10.
- GLOW-WIRE FLAMMABILITY (GWFI) 800°C FOR THICKNESS 0.38mm AND 0.75mm PER IEC 60695-2-12.
- GLOW-WIRE FLAMMABILITY (GWFI) 960°C FOR THICKNESS 1.5mm AND 3.0mm PER IEC 60695-2-12.
- GLOW-WIRE IGNITION (GWIT) 825°C FOR THICKNESS 0.38mm, 0.75mm, 1.5mm AND 3.0mm PER IEC 60695-2-13.
- DIMENSIONS SHOWN REPRESENT PRODUCT IN DRY CONDITION. ADDITIONAL 2% GROWTH DUE TO END USE LOCATION MOISTURE ABSORPTION MAY OCCUR AND SHOULD BE ACCOUNTED FOR.



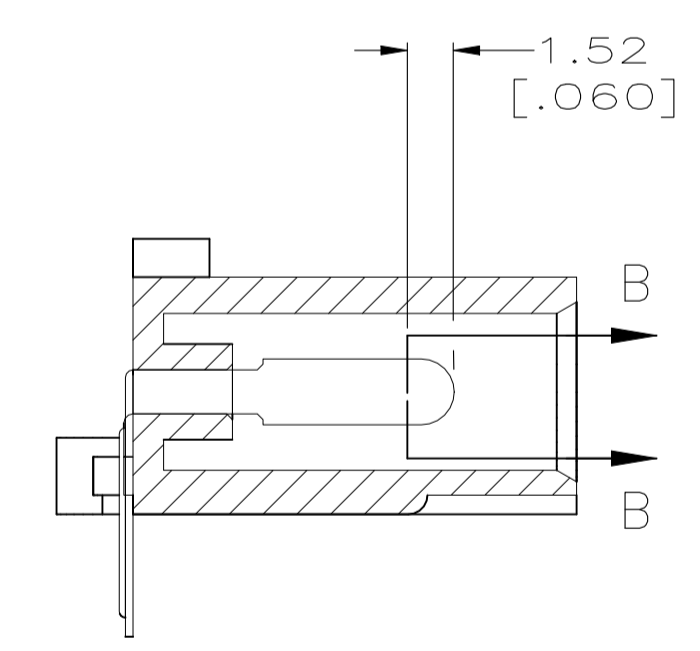
SECTION B-B
SCALE 10:1



3-DIMENSIONAL MODEL
NTS



RECOMMENDED MOUNTING HOLE PATTERN
FOR .062 [1.57] THICK P.C. BOARD



SECTION A-A

THIS DRAWING IS A CONTROLLED DOCUMENT.		DIN K WHITAKER 14MAR2008		PH BRZ TIN		NYLON, UL94V-2		1586898-1	
DIMENSIONS: mm [INCHES]		TOLERANCES UNLESS OTHERWISE SPECIFIED:		CONTACT		HOUSING		PART NO	
0 PLC ± -		1 PLC ± -		14MAR2008		14MAR2008		NAME	
2 PLC ± -		3 PLC ± 0.13[.005]		D COLEY 14MAR2008		D COLEY 14MAR2008		PIN HEADER ASSEMBLY, RIGHT	
4 PLC ± -		ANGLES ± 0° 30'		APPLICATION SPEC		PRODUCT SPEC		ANGLE MOUNT, 5 POSITION,	
MATERIAL SEE TABLE		FINISH SEE TABLE		WEIGHT 0.000000		A1 00779		UNIVERSAL MATE-N-LOK (TM)	
				CUSTOMER DRAWING		SCALE 4:1		SHEET 1 OF 1	
								REV B1	