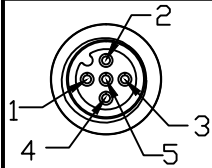
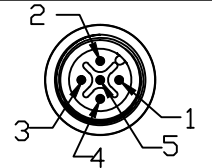


FEMALE INSERT  
FACE VIEW

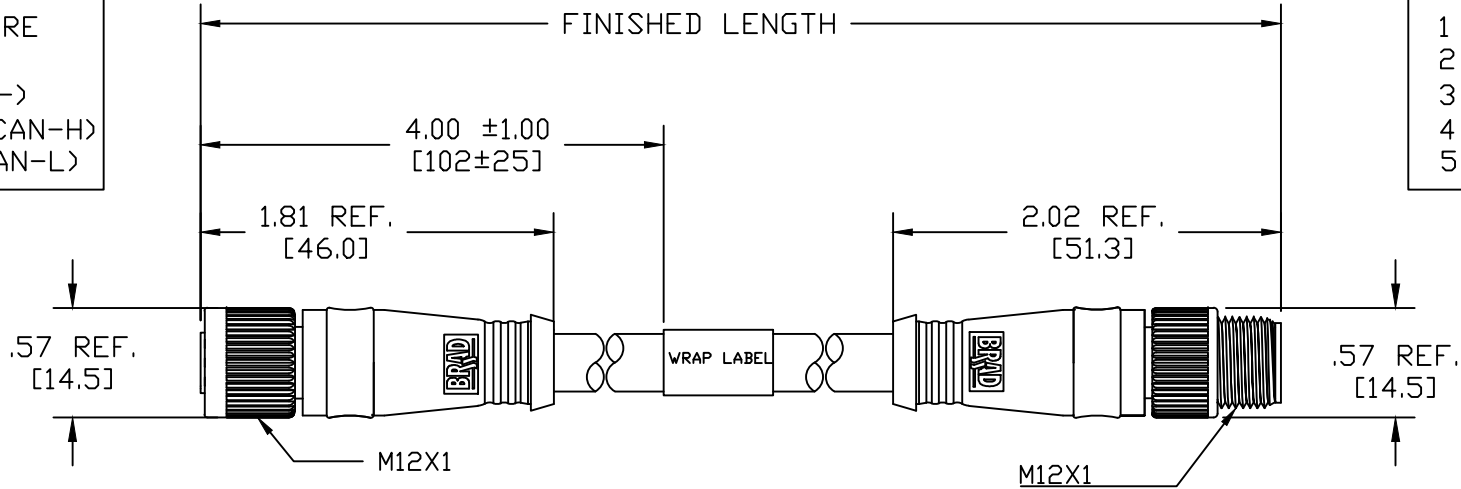


- 1 DRAIN WIRE
- 2 RED<V+>
- 3 BLACK<V->
- 4 WHITE (CAN-H)
- 5 BLUE (CAN-L)

MALE INSERT  
FACE VIEW



- 1 DRAIN WIRE
- 2 RED<V+>
- 3 BLACK<V->
- 4 WHITE (CAN-H)
- 5 BLUE (CAN-L)



MECHANICAL  
 CONTACT: GOLD/NICKEL OVER COPPER ALLOY  
 INSERT : BLACK NYLON  
 O-RING: RED VITON  
 COUPLING NUT: ZINC DIECAST WITH BLACK EPOXY COATED  
 MOLDED BODY: GREY PVC  
 CABLE COLOR: LIGHT BLUE  
 CABLE MARKING: KND-SB<THIN> DeviceNet KURAMO E200151-K(UL) CL2  
 1PR22AWG 1PR24AWG SHIELDED 75C CSA AWM  
 I/II A/B 80C 300V FT4 LF

cable length  
 M020----2 Meter  
 M100-----10 Meter

ELECTRICAL  
 VOLTAGE RATING: 250V AC/DC  
 AMPERAGE: 4A

ENVIRONMENTAL  
 PROTECTION: IP67  
 OPERATION TEMP: 0°C~80°C

CABLE MARKING UPDATE EC NO: IFC2015-1192 DRWN: CAAVILES 2014/12/30 CHKD: TWOLDEGE APPR: JFMURPHY 2012/11/02	DESCRIPTION	QUALITY SYMBOLS	GENERAL TOLERANCES (UNLESS SPECIFIED)		DIMENSION STYLE IN/MM		SCALE 1:1	DESIGN UNITS INCH	THIRD ANGLE PROJECTION
	REV	=0 =0	4 PLACES	mm	INCH	DRAWN BY DATE	TITLE DEVICE NET ASSEMBLY 5 POLE M/FE STRAIGHT KND-SB LIGHT BLUE PVC MOLEX INCORPORATED	DOCUMENT NO. SD-130261-001	SHEET NO. 1 OF 1
			3 PLACES	±---	±---	TWOLDEGE 2011/07/06			
			2 PLACES	±0.13	±0.010	CHECKED BY DATE			
			1 PLACE	±0.25	±0.020	BARDEN ---			
		ANGULAR ±---°	APPROVED BY DATE	MATERIAL NO.					
B			DRAFT WHERE APPLICABLE MUST REMAIN WITHIN DIMENSIONS		SIZE A	THIS DRAWING CONTAINS INFORMATION THAT IS PROPRIETARY TO MOLEX INCORPORATED AND SHOULD NOT BE USED WITHOUT WRITTEN PERMISSION			