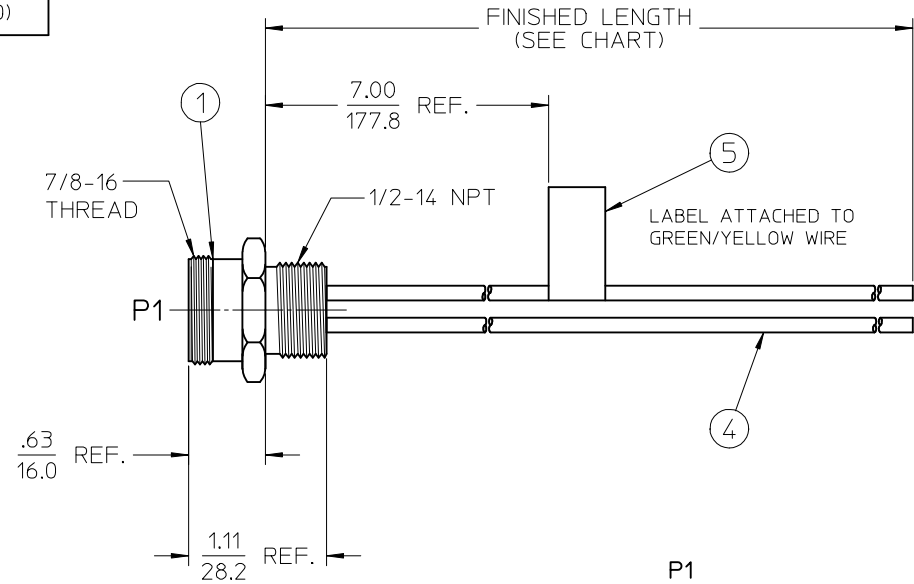
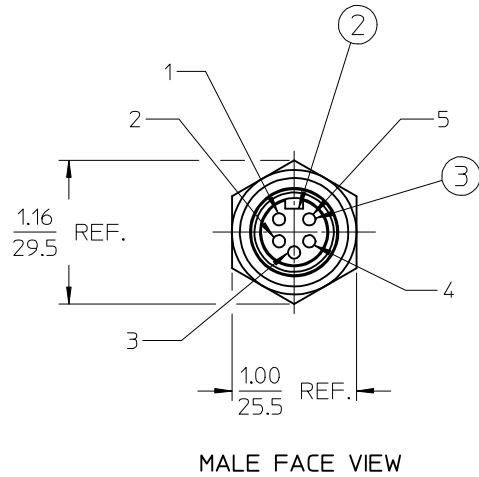


10	9	8	7	6	5	4	3	2	1
MATERIAL NO.	ENGINEERING NO.	FINISHED LENGTH							
1300138078	1R5006A80M010	3' 4" +2.19"/-0 (1.0M +55.6mm/-0)							
1300138079	1R5006A80M020	6' 7" +3.50"/-0 (2.0M +88.9mm/-0)							



P1	BLACK
1	BLUE
2	GREEN/YELLOW
3	BROWN
4	WHITE

- NOTES:
1. MATERIAL: SEE TABLE
  2. FINISHES: SEE TABLE
  3. ELECTRICAL SPECIFICATIONS  
VOLTAGE RATING: 300V AC/DC  
CURRENT RATING: 8 AMPS
  4. PROTECTION: IP67
  5. ASSEMBLY IS RoHS COMPLIANT BY EXEMPTION

5	1	FLAG LABEL	MYLAR	BLACK/YELLOW
4	A/R	WIRE, 1.5mm <sup>2</sup> (16 AWG) (UL 1015)	PVC INSULATION	SEE WIRE DIAGRAM
3	5	CONTACT PIN	Cu ALLOY	GOLD PLATED
2	1	INSERT, 5P	PUR	BLACK
1	1	RECEPTACLE SHELL	ZINC DIE-CAST	BLACK
ITEM	QTY.	DESCRIPTION	MATERIAL	FINISH

RELEASED EC NO: ICG2013-0559 DR: W/STONE 2012/11/13 CHK: K JOZWIK 2012/11/26 APPR: J MURPHY 2012/12/18 A	QUALITY SYMBOLS ▽=0 ▽=0	GENERAL TOLERANCES (UNLESS SPECIFIED)	DIMENSION STYLE IN/MM	SCALE 1:1	DESIGN UNITS INCH	THIRD ANGLE PROJECTION
		4 PLACES ± --- ± --- 3 PLACES ± --- ± --- 2 PLACES ± --- ± .01 1 PLACE ± 0.3 ± --- 0 PLACE ± --- ± ---	DRAWN BY DATE RSTONE 2012/11/13 CHECKED BY DATE K JOZWIK 2012/11/26 APPROVED BY DATE JFMURPHY 2012/12/18	TITLE MINI-CHANGE RECEPTACLE ASSY, 5 POLE MALE 1.5MMØ <sub>±</sub> (16 AWG)	MATERIAL NO. SEE CHART	DOCUMENT NO. SD-130013-039
ANGULAR ± 2 ° DRAFT WHERE APPLICABLE MUST REMAIN WITHIN DIMENSIONS		THIS DRAWING CONTAINS INFORMATION THAT IS PROPRIETARY TO MOLEX INCORPORATED AND SHOULD NOT BE USED WITHOUT WRITTEN PERMISSION				