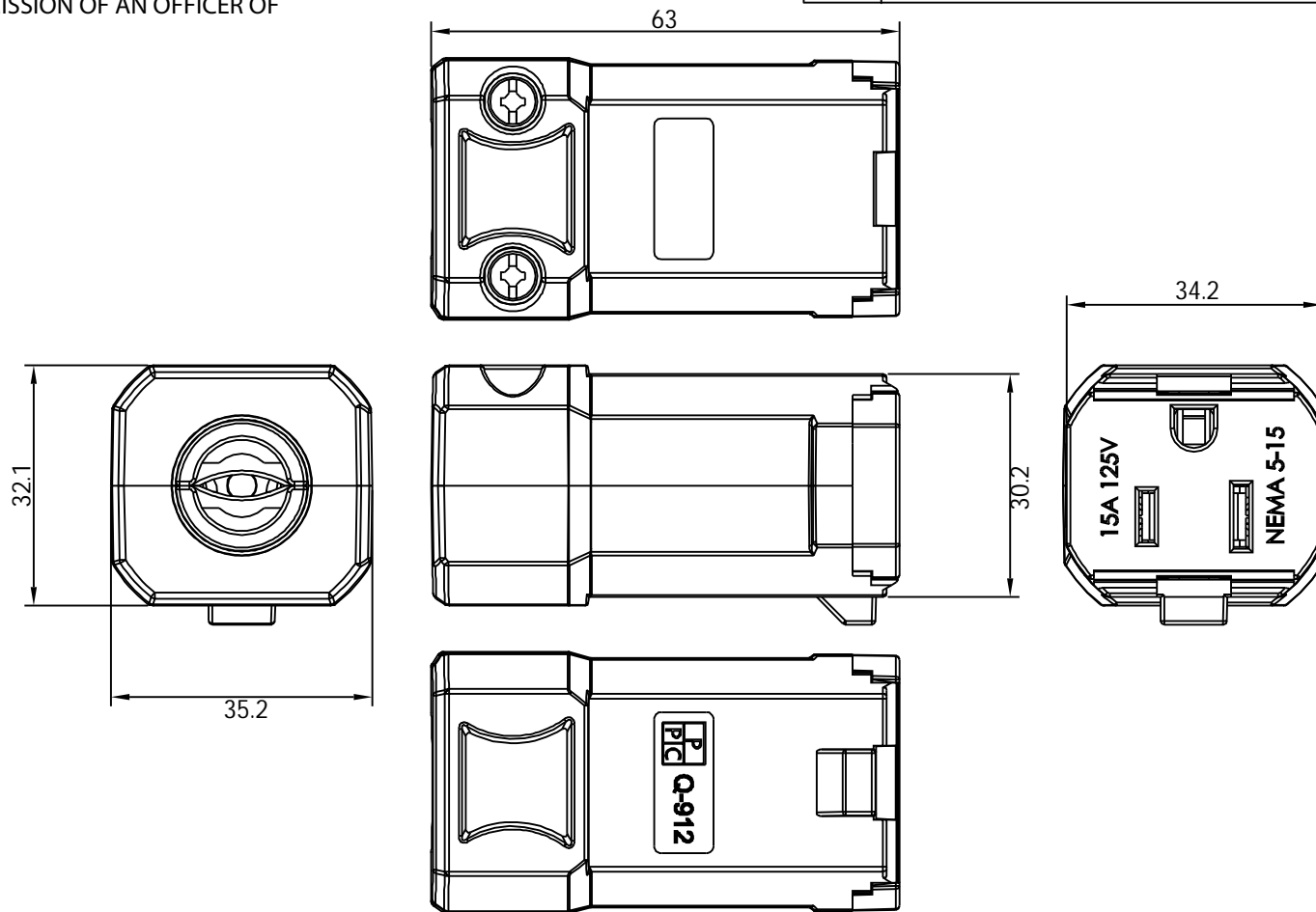


THESE DRAWINGS ARE THE PROPERTY OF QUALTEK ELECTRONICS AND NOT TO BE REPRODUCED FOR OR COMMUNICATED TO A THIRD PARTY WITHOUT THE EXPRESS WRITTEN PERMISSION OF AN OFFICER OF QUALTEK ELECTRONICS.

REVISION			
REV.	DESCRIPTION	DATE	APPROVED



NOTES:

1. RATING: 15A 125VAC
2. COLOR: BLACK
3. CORD CLAMP: ACCEPTS 16/3 - 12/3 CABLE
4. TERMINAL I.D.:
 - A. GROUND TERMINAL SCREW GREEN
 - B. LINE TERMINAL SCREW BLACK
 - C. NEUTRAL TERMINAL SCREW SILVER
5. APPROVALS: UL/cUL LISTED: E139592
6. ROHS COMPLIANT

CONTROLLED

Dim range (mm)		Tolerance +/- (mm)	Qualtek Electronics Corp. PPC DIVISION		
0-1		0.15	Part Number: Q-912		RoHS Compliant
1-6		0.20	Description: NEMA 5-15R STRAIGHT BLADE DEVICE		
6-18		0.30	UNIT: mm		
18-50		0.50	Drawn / Date	Checked / Date	Approved / Date
50-120		0.70	R.Nuti 07-27-20	07-27-20	LY / 07-27-09
120-250		0.90			
250-500		1.20			