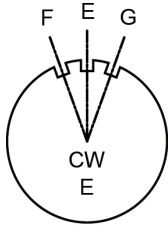
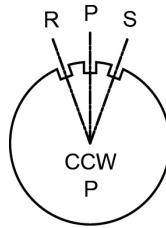


Connector Solutions M23 Elite Series

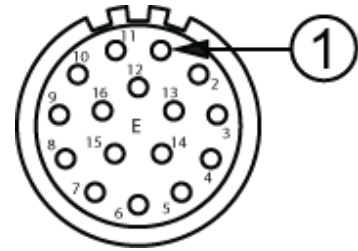
STEP 1 Choose Plug



Standard connector parts mate "E" Plugs with "P" Receptacles, Mating parts use opposite contact types. *example: plug with pin contacts mates with a receptacle using socket contacts.*
Other key code options available not listed here. Please call customer service for assistance when ordering F,G,R,S. See page 23 for connector configurations



STEP 2 Choose Receptacle



Plugs



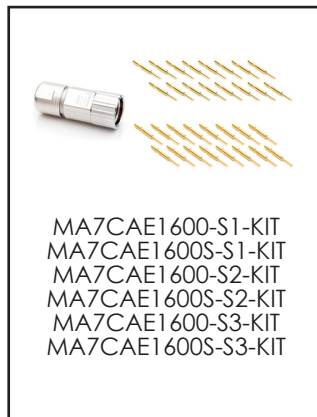
Receptacles



Receptacle Kit



Plug Kits



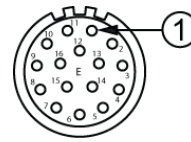
**BULK CABLE starts
on page 23**

SEE TABLE ON NEXT PAGE FOR PART DETAILS

Cord Grips (Required only for Receptacle Extension)



| Part Number | Type | Cable Range (mm) | Figure Drawings |
|-------------|-----------|------------------|-----------------|
| MA6CG-S1 | Cord grip | 4.5-7.5mm | 6 |
| MA6CG-S2 | Cord grip | 7.5-11.0mm | 6 |
| MA6CG-S3 | Cord grip | 11.0-15.0mm | 6 |



16 POSITIONS
9A / 125V
E type
Threaded

Style: E type Plug **Number of Contacts: 16** **Contact Size: 1.0mm**
 Sealing: IP66/67 AWG: 22-18 (0.37 - 0.75 mm²) / 28-24 (0.25 - 0.10 mm²)

Connector Part Numbers

| Part Number | Connector Type PLUGS | Style | Contact Type male = pin mates with female = socket ↓ Mating Parts ↓ | | Figure Drawings |
|--------------------|--|-------|---|--------|-----------------|
| | | | | | |
| MA7CAE1600-S1 | Plug, straight, threaded 4.5-7.5mm cord grip | E | Pin | Socket | 1 |
| MA7CAE1600-S1-KIT | Plug Kit, straight, threaded 4.5-7.5mm cord grip | E | Pin | | 1 |
| MA7CAE1600S-S1-KIT | Plug Kit, straight, threaded 4.5-7.5mm cord grip | E | | Socket | 1 |
| MA7CAE1600-S2 | Plug, straight, threaded 7.5-11mm cord grip | E | Pin | Socket | 1 |
| MA7CAE1600-S2-KIT | Plug Kit, straight, threaded 7.5-11mm cord grip | E | Pin | | 1 |
| MA7CAE1600S-S2-KIT | Plug Kit, straight, threaded 7.5-11mm cord grip | E | | Socket | 1 |
| MA7CAE1600-S3 | Plug, straight, threaded 11-15mm cord grip | E | Pin | Socket | 1 |
| MA7CAE1600-S3-KIT | Plug Kit, straight, threaded 11-15mm cord grip | E | Pin | | 1 |
| MA7CAE1600S-S3-KIT | Plug Kit, straight, threaded 11-15mm cord grip | E | | Socket | 1 |
| RECEPTACLES | | | ↑ Mating Parts ↑ | | |
| MA7RAP1601 | Receptacle, 90° rotatable, threaded Standard Flange (25.7x25.7) | P | Socket | Pin | 2 |
| MA7RAP1601-KIT | Receptacle Kit, 90° rotatable, threaded Standard Flange (25.7x25.7) | P | | Pin | 2 |
| MA7RAP1601S-KIT | Receptacle Kit, 90° rotatable, threaded Standard Flange (25.7x25.7) | P | Socket | | 2 |
| MA7RAP1602 | Receptacle, 90° rotatable, threaded Large Flange (28.0x28.0) | P | Socket | Pin | 3 |
| MA7RAP1602-KIT | Receptacle Kit, 90° rotatable, threaded Large Flange (28.0x28.0) | P | | Pin | 3 |
| MA7RAP1602S-KIT | Receptacle Kit, 90° rotatable, threaded Large Flange (28.0x28.0) | P | Socket | | 3 |
| MA1LAP1600* | Receptacle, straight, flange mount, threaded | P | Socket | Pin | 4 |

*Standard Series receptacles are offered here as additional options for mating with Elite Series plugs.
 See Assembly Instructions starting on page 266
 Complete datasheets can be found at www.amphenol-sine.com

Style: E type Plug Number of Contacts: 16 Contact Size: 1.0mm
Sealing: IP66/67 AWG: 22-18 (0.37 - 0.75 mm²) / 28-24 (0.25 - 0.10 mm²)

Connector Part Numbers continued

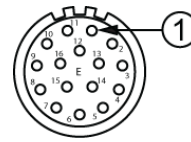
| | | | | | |
|--|---|---|--------|-----|---|
| MA1LAP1600-KIT* | Receptacle Kit, threaded. Kit includes contacts. | P | | Pin | 4 |
| MA1LAP1600S-KIT* | Receptacle Kit, threaded. Kit includes contacts. | P | Socket | | 4 |
| MA1JAP1600* | Receptacle extension, threaded | P | Socket | Pin | 5 |
| ↑ Contacts supplied separately see Chart 1 page 64 | | | | | |



CHART 1

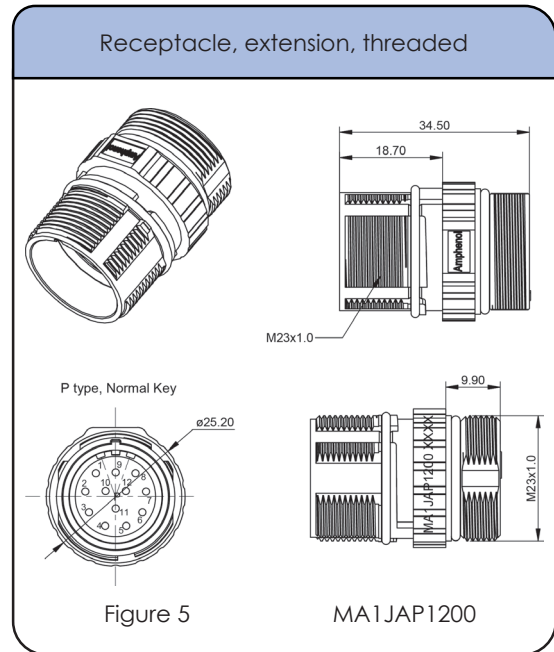
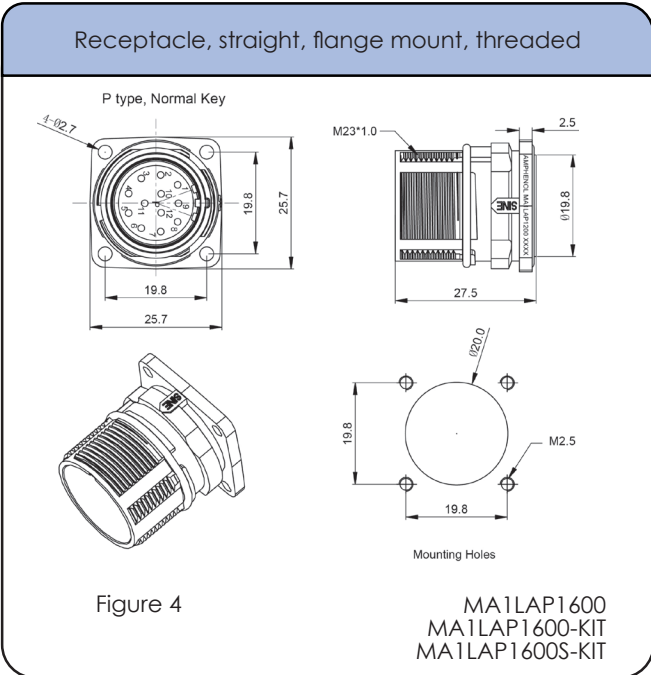
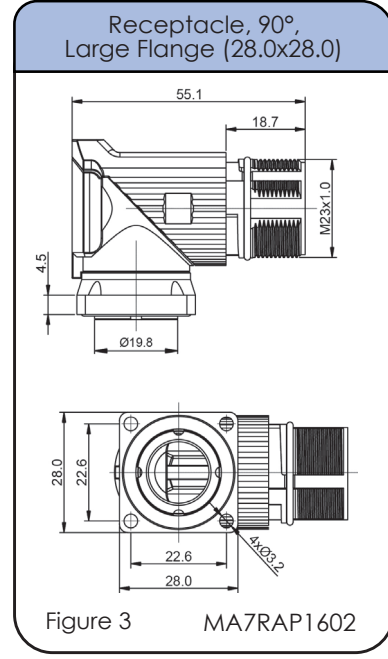
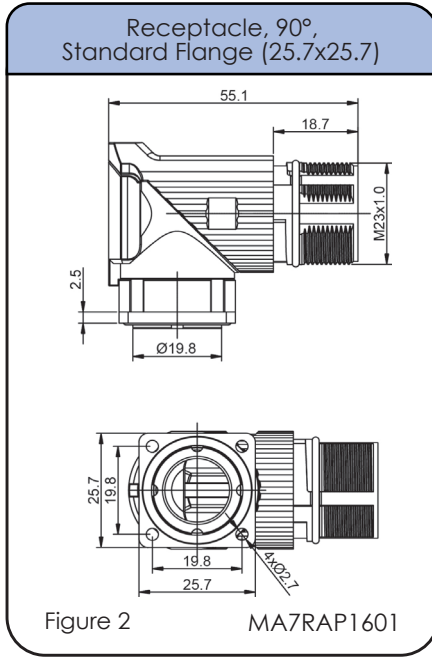
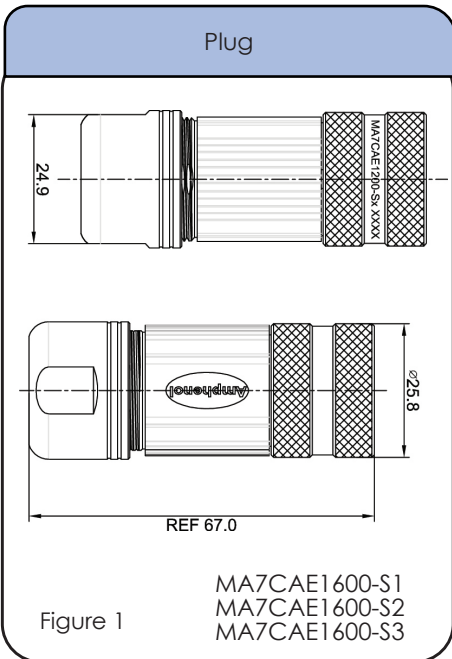
Crimp Contacts, Machined

| Part Number | Pin/Socket | AWG | mm ² | Plating |
|-------------|------------|-------|-----------------|---------|
| SC000035 | Pin | 22-18 | 0.37 - 0.75 | Gold |
| SC000146 | Pin | 28-24 | 0.10 - 0.25 | Gold |
| SC000044 | Socket | 22-18 | 0.37 - 0.75 | Gold |
| SC000030 | Socket | 28-24 | 0.10 - 0.25 | Gold |



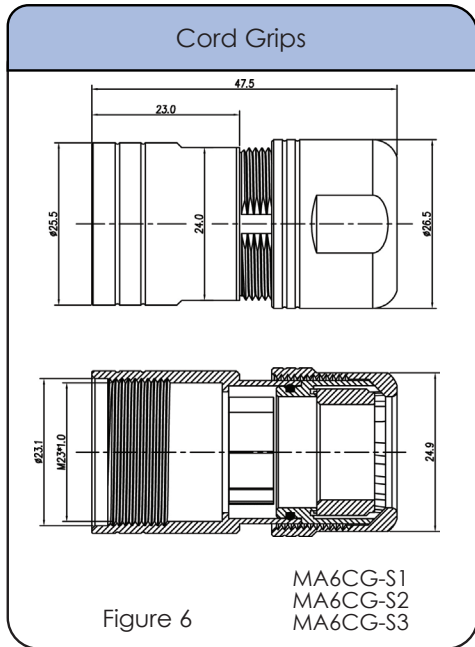
16 POSITIONS
9A / 125V
E type
Threaded

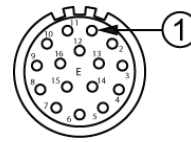
Style: E type Plug **Number of Contacts: 16** **Contact Size: 1.0mm**
 Sealing: IP66/67 AWG: 22-18 (0.37 - 0.75 mm²) / 28-24 (0.25 - 0.10 mm²)



Style: E type Plug Number of Contacts: 16 Contact Size: 1.0mm
Sealing: IP66/67 AWG: 22-18 (0.37 - 0.75 mm²) / 28-24 (0.25 - 0.10 mm²)

Connector Drawings continued














16 POSITIONS
9A / 125V
E type
Threaded

Style: E type Plug Number of Contacts: 16 Contact Size: 1.0mm
 Sealing: IP66/67 AWG: 22-18 (0.37 - 0.75 mm²) / 28-24 (0.25 -0.10 mm²)

Tools & Accessories

| | | |
|---|---|--|
| <p>Universal hand crimp tool. Uses universal positioner part no. SK2-2* Wire range 20-32AWG</p>  <p>AFM8</p> | <p>Universal hand crimp tool. Uses universal positioner part no. UH2-5* Wire range 12-26AWG</p>  <p>AF8</p> | <p>Pneumatic crimp tool. Uses universal positioner part no. SK2-2* Wire range 20-32AWG</p>  <p>WA22</p> |
| <p>Universal positioner is used with crimp tools AFM8 and WA22. Wire range 20-32AWG</p>  <p>SK2-2</p> | <p>Universal positioner is used with the universal hand crimp tool (AF8). Wire range 12-26AWG</p>  <p>UH2-5</p> | <p>Pneumatic crimp tool. Uses universal positioner part no. UH2-5*. Wire range 12-26AWG</p>  <p>WA27F</p> |
| <p>Extraction tool. Used for removal of 1.0mm contacts from inserts.</p>  <p>50-54931-1</p> | <p>Dust Cap for Receptacle</p>  <p>P29687</p> | <p>Dust Cap for Plug, Threaded</p>  <p>P31660</p> |

* The universal positioner is not included with the crimp tools and must be ordered separately.