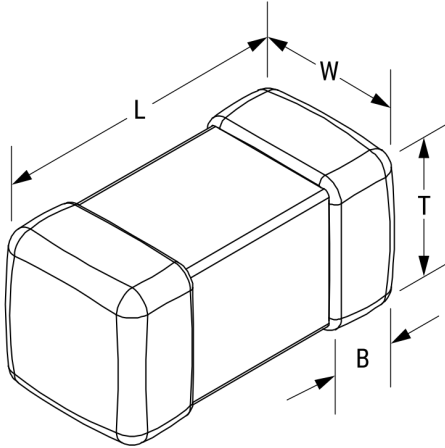


## L0805CR33MPMST

Aliases (L0805CR33MPMST)

Obsolete

KEMET, L-PMS, Commercial Grade, 0.33 uH, 20%



Click [here](#) for the 3D model.

Dimensions	
Chip Size	0805
L	2mm +0.3/-0.1mm
W	1.25mm +/-0.2mm
T	0.85mm +/-0.2mm
LL	0.5mm +/-0.2mm
B	0.5mm +/-0.2mm

Packaging Specifications	
Packaging	T&R
Packaging Quantity	4000

General Information	
Series	L-PMS
Style	SMD Chip
Description	Shielded, Surface Mount Inductor
Features	Standard Type
RoHS	Yes
Core	Ceramic
Winding Type	Multilayer
Notes	Not recommended for new designs, please see L0806BR33JSWST for replacement.

Specifications	
Inductance	0.33 uH
Inductance Tolerance	20%
Temperature Range	-40/+85°C
Current	400 mAmps (MAX)
DC Resistance	0.28 Ohms
Quality Factor	15 at 25 MHz
Self-Resonant Frequency	145 MHz

Statements of suitability for certain applications are based on our knowledge of typical operating conditions for such applications, but are not intended to constitute - and we specifically disclaim - any warranty concerning suitability for a specific customer application or use. This information is intended for use only by customers who have the requisite experience and capability to determine the correct products for their application. Any technical advice inferred from this information or otherwise provided by us with reference to the use of our products is given gratis, and we assume no obligation or liability for the advice given or results obtained.