



Main

| | |
|---------------------------|---------------------|
| Range of Product | Harmony Modular iPC |
| Product or Component Type | Flat screen |
| Terminal type | Touchscreen display |

Complementary

| | |
|----------------------------------|--|
| Device mounting | Flush |
| Local signalling | Status LED |
| View angle horizontal x vertical | 150 x 140° |
| Contrast Ratio | 500:1 |
| Pixel resolution | 1366 x 768 |
| Touchscreen resolution | 4096 x 4096 |
| Function Available | Operate with water on screen |
| [Us] rated supply voltage | 24 V DC power supply 100...240 V AC power supply 47...63 Hz |
| Supply voltage limits | 18...36 V DC |
| Power Consumption in W | 48.1 W typical)Box PC HMIBMP 63.28 W maximum)Box PC HMIBMP 43.1 W typical)Box PC HMIBMU 58.28 W maximum)Box PC HMIBMU |
| Display size | 18.5 inch |
| Aspect ratio | 4:3 |
| Display type | Colour TFT LCD LED |
| Display Resolution | 1366 x 768 pixels WHD FWXGA |
| Display colour | 16777216 colors |
| Luminance | 27.87 fc (300 cd/m ²) |
| Backlight lifespan | 50000 hours 77 °F (25 °C) |
| Touch panel | Multi-touch projected capacitive technology (PCT) |
| Type of Installation | Indoor installation |
| Inrush current | 8.9 A |
| Width | 19.22 in (488.3 mm) |
| Height | 12.17 in (309 mm) |
| Depth | Enclosure 1.10 in (28 mm) 0.28 in (7 mm) |
| Net Weight | 11.46 lb(US) (5.2 kg) |

Environment

| | |
|---------------------------------------|---|
| IP degree of protection | IP66 |
| NEMA degree of protection | NEMA 4X |
| Standards | UL 60950 CSA C22.2 No. 60950 |
| Product Certifications | EAC C-tick CCC |
| Ambient air temperature for operation | 32...131 °F (0...55 °C) |
| Ambient air temperature for storage | -22...158 °F (-30...70 °C) |
| Pollution degree | 2 |
| Relative Humidity | 10...95 % non-condensing |
| Operating altitude | 6561.68 ft (2000 m) |
| Vibration resistance | 1 gn 5...500 Hz) HDD 2 gn 5...500 Hz) SSD 2 gn 5...500 Hz) Cfast card |




Ordering and shipping details

| | |
|-----------------------|-----------------------------------|
| Category | 22574-MAGELIS BOX PC AND PANEL PC |
| Discount Schedule | MC2 |
| GTIN | 3606480853685 |
| Nbr. of units in pkg. | 1 |
| Package weight(Lbs) | 11.46 lb(US) (5.2 kg) |
| Returnability | No |
| Country of origin | US |

Packing Units

| | |
|------------------------------|-------------------------|
| Unit Type of Package 1 | PCE |
| Package 1 Height | 9.25 in (23.5 cm) |
| Package 1 width | 24.21 in (61.5 cm) |
| Package 1 Length | 29.21 in (74.2 cm) |
| Unit Type of Package 2 | CAR |
| Number of Units in Package 2 | 1 |
| Package 2 Weight | 17.20 lb(US) (7.8 kg) |
| Package 2 Height | 23.03 in (58.5 cm) |
| Package 2 width | 8.66 in (22 cm) |
| Package 2 Length | 28.74 in (73 cm) |
| Unit Type of Package 3 | P12 |
| Number of Units in Package 3 | 10 |
| Package 3 Weight | 176.37 lb(US) (80.0 kg) |
| Package 3 Height | 30.31 in (77 cm) |
| Package 3 width | 31.50 in (80 cm) |
| Package 3 Length | 47.24 in (120 cm) |

Offer Sustainability

| | |
|----------------------------|---|
| California proposition 65 | WARNING: This product can expose you to chemicals including: Lead and lead compounds, which is known to the State of California to cause cancer and birth defects or other reproductive harm. For more information go to www.P65Warnings.ca.gov |
| REACH Regulation |  REACH Declaration |
| REACH free of SVHC | Yes |
| EU RoHS Directive | Pro-active compliance (Product out of EU RoHS legal scope)  EU RoHS Declaration |
| Mercury free | Yes |
| RoHS exemption information |  Yes |

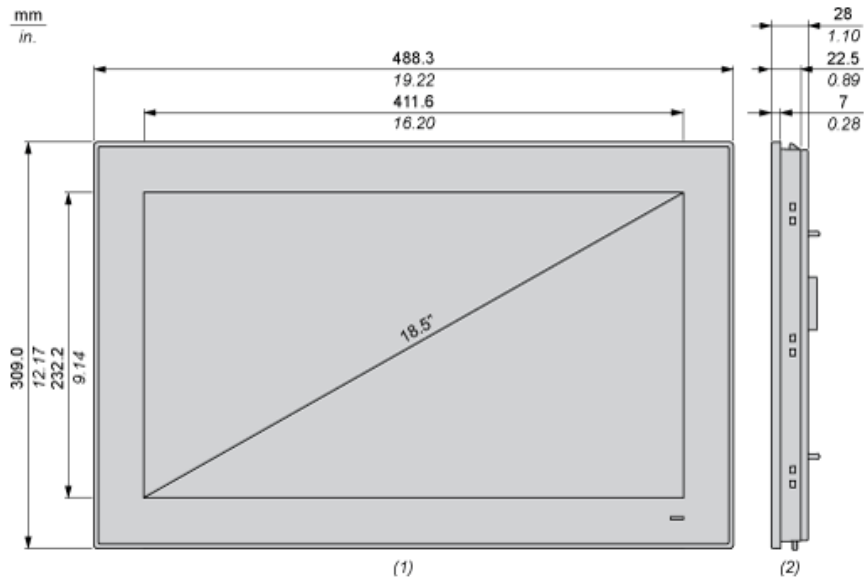
China RoHS Regulation

 [China RoHS Declaration](#)

WEEE

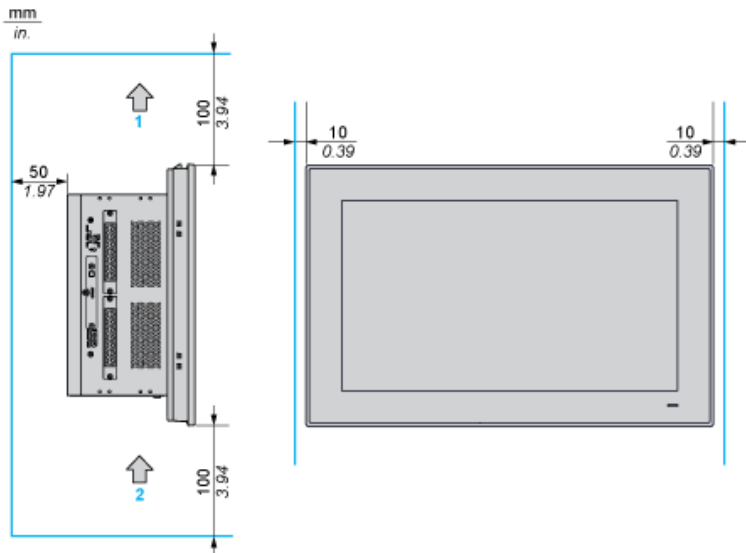
The product must be disposed on European Union markets following specific waste collection and never end up in rubbish bins.

Dimensions



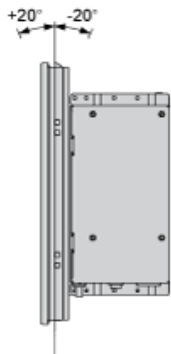
- (1) Front view
- (2) Right view

Spacing Requirements

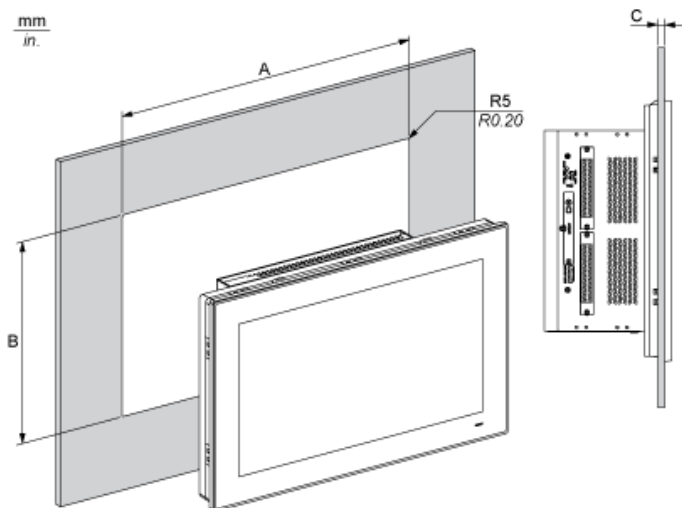


- 1 : Air out
- 2 : Air in

Mounting Orientation



Panel Cut Dimensions



| A | | B | | C | | R | |
|-------|-------|-------|-------|-------|-------------|----|------|
| mm | in. | mm | in. | mm | in. | mm | in. |
| 479.3 | 18.87 | 300.3 | 11.82 | 2...6 | 0.08...0.23 | 5 | 0.20 |