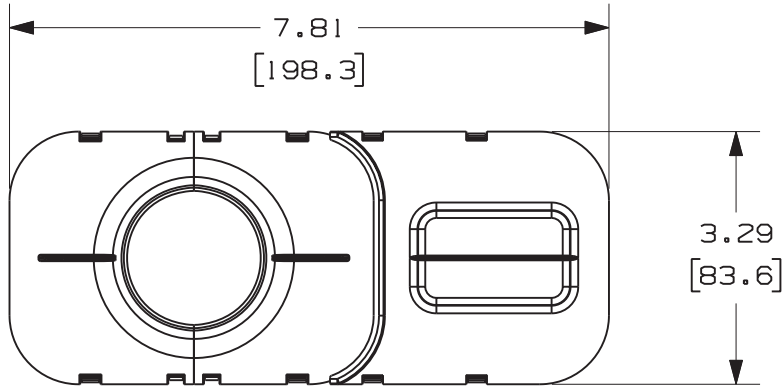


THIS COPY IS PROVIDED ON A RESTRICTED BASIS AND IS NOT TO BE USED IN ANY WAY DETRIMENTAL TO THE INTERESTS OF PANDUIT CORP.



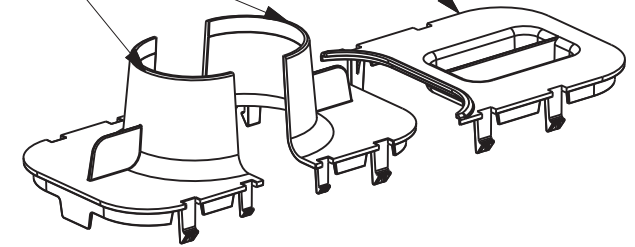
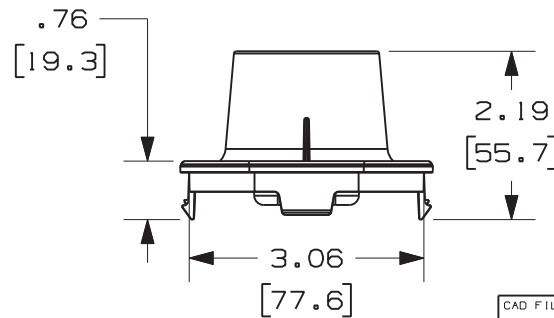
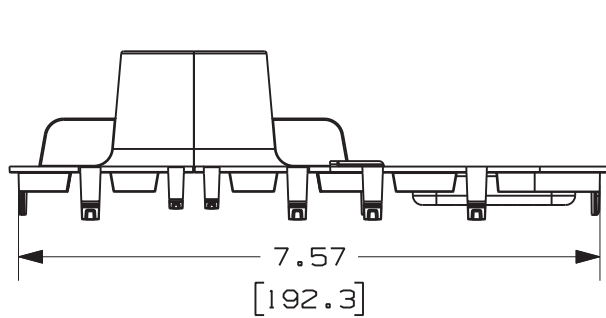
PANDUIT PART NUMBER	WEIGHT
CTIDT15	9.95 G / EACH .02 LBS / EACH

NOTES:

1. PANDUIT PART NUMBER CTIDT15 INCLUDES:
ONE (1) CABINET TOP AIR SEALING FIBER OPTIC FILLER PANEL.
TWO (2) CABINET TOP AIR SEALING FIBER OPTIC FITTINGS.
2. FOR USE WITH BOTH Net-SERV™ and Net-Access™ CABINETS.
3. USED TO TRANSITION 1.5" (38MM) DIAMETER SLIT CORRUGATED TUBING DIRECTLY INTO A 3" X 8" OR 3" X 5" CABINET TOP OPENING.
4. DIMENSIONS IN PARENTEHESES ARE METRIC.

CABINET TOP AIR SEALING FIBER OPTIC FILLER PANEL

CABINET TOP AIR SEALING FIBER OPTIC FITTINGS



CAD FILENAME/LAYERS 09D043AH_DC / 00 CTIDT15

PANDUIT CORP. TINLEY PARK, ILLINOIS

CABINET TOP AIR SEALING FIBER OPTIC FITTING (CTIDT15) CUSTOMER DRAWING

UNLESS OTHERWISE SPECIFIED, DIMENSIONAL TOLERANCES ARE:
(.X) ± (.XXX) ±
(.XX) ± .03 (.8) ANGLES ±

UNLESS OTHERWISE SPECIFIED, ALL DIMENSIONS ARE GIVEN IN INCHES, THIRD ANGLE PROJECTION.

DRAWN BY JAHA MAT'L:

SCALE NONE

DATE 01/13/10

ABS

DRAWING NO.

DWG A SIZE

R	1-13-10	JAHA	EB	RELEASED TO PRODUCTION	09D043AH	RN	RN		
---	---------	------	----	------------------------	----------	----	----	--	--

REV	DATE	BY	CHK	DESCRIPTION	ECN	R	CUST	SUP	
-----	------	----	-----	-------------	-----	---	------	-----	--

CHK'D EB

09D043AH-DC