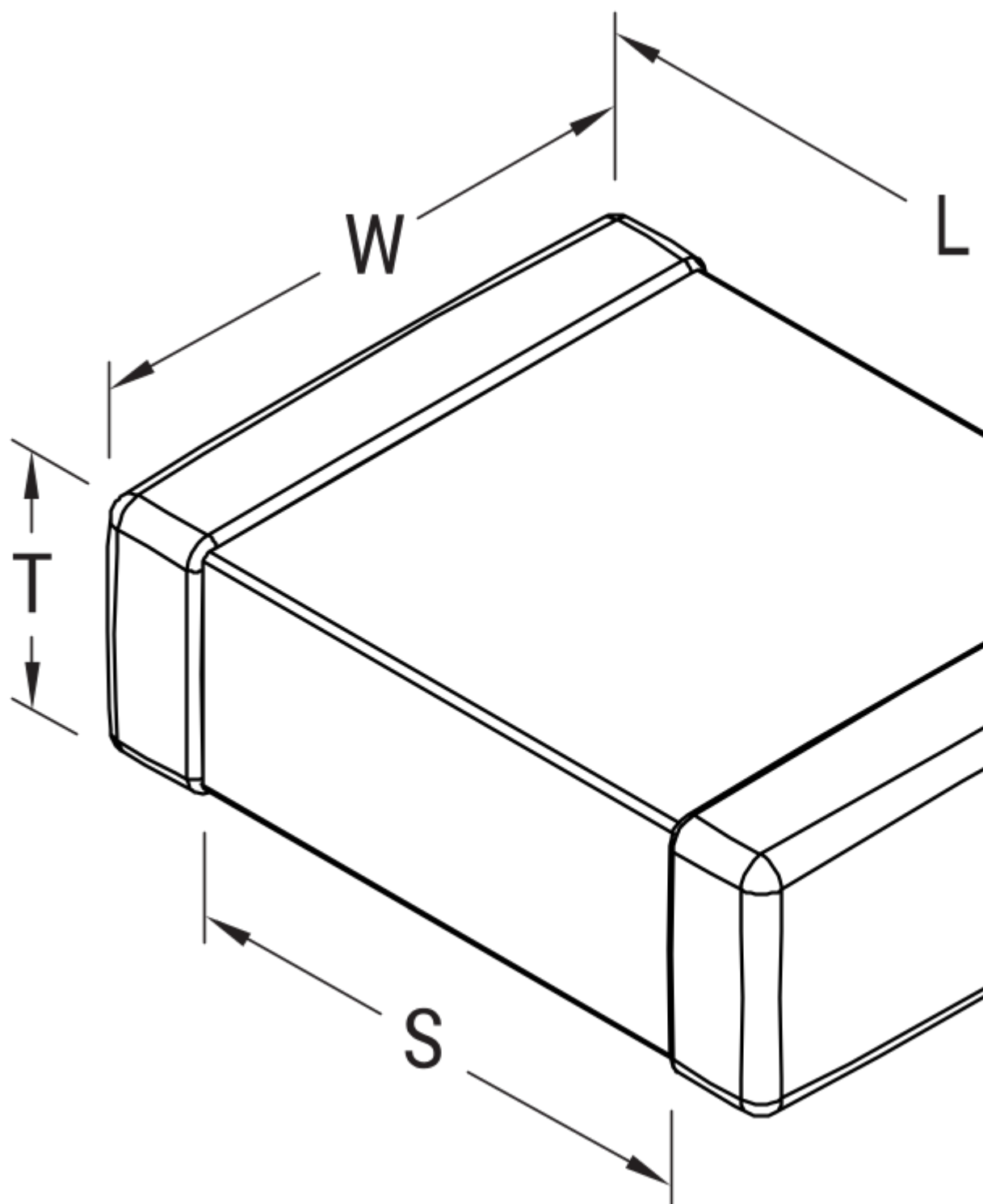


CAS26C152KARFC

CAS SMD SFTY 250, Ceramic, 1500 pF, 10%, X7R, Industrial Grade, Safety MLCC, X1/Y2, 2211



Click [here](#) for the 3D model.

Dimensions

Chip Size 2211

L 5.7mm +/-0.4mm

W 2.8mm +/-0.3mm

T 2.5mm +/-0.3mm

S 4mm MIN

Dimensions

B 0.6mm +/-0.3mm

Packaging Specifications

Packaging T&R

Packaging Quantity 500

General Information

Series CAS SMD SFTY 250

Style SMD Chip

Description Industrial Grade, Safety MLCC

RoHS Yes

Termination Tin

Safety Class X1/Y2

Qualifications ENEC, UL, IEC

AEC-Q200 No

Halogen Free Yes

Specifications

Capacitance	1500 pF
Measurement Condition	1 kHz 1.0Vrms
Capacitance Tolerance	10%
Voltage AC	250 VAC (X1), 250 VAC (Y2)
Temperature Range	-55/+125°C
Temperature Coefficient	X7R
Capacitance Change with Reference to +25°C and 0 VDC Applied (TCC)	15%, 1kHz 1.0Vrms
Dissipation Factor	2.5% 1 kHz 1.0Vrms
Insulation Resistance	10 GOhms

Statements of suitability for certain applications are based on our knowledge of typical operating conditions for such applications, but are not intended to constitute - and we specifically disclaim - any warranty concerning suitability for a specific customer application or use. This Information is intended for use only by customers who have the requisite experience and capability to determine the correct products for their application. Any technical advice inferred from this Information or otherwise provided by us with reference to the use of our products is given gratis, and we assume no obligation or liability for the advice given or results obtained.

Generated 5/18/2023 - 9696fef0-a66b-4b81-8b6c-d55e02fdefb3

© 2006 - 2023 KEMET

Generated 5/18/2023 - 9696fef0-a66b-4b81-8b6c-d55e02fdefb3

© 2006 - 2023 KEMET