

LAYOUT SHOWN AS EXAMPLE

Keying Shown as example

**CHARACTERISTICS**

- Standard : Based on MIL-DTL-38999 Series III
- Shell Material : Stainless Steel
- Shell Plating : Passivated
- Insulator : Thermoplastic
- Contacts : Copper Alloy
- Seals & Grommet : Silicon Elastomer
- Contact Plating : Gold over copper Alloy 0.8µm minimum
- Durability : 500 Mating cycles
- Delivered with Souriau contacts and Accessories
- Temperature Range : -65°C to +200°C
- Salt Spray : 500 hours
- Mass : 53.21 g ± 10%

| Connector dimension |               |
|---------------------|---------------|
| Dim                 | Nominal       |
| P                   | 3.25±0.2      |
| PP                  | 4.39±0.2      |
| R1                  | 24.61         |
| R2                  | 23.01         |
| S                   | 31±0.3        |
| V                   | 20.83+0/-1.25 |
| W                   | 2.1/2.5       |
| Z                   | 31.5 Max      |
| VV THREAD           | M22x1-6g      |

SOURIAU shall not be liable for any non-conformity or damage due to a use of the Products which does not comply with the Specifications issued by either of the Parties or by a third party (professional recommendation, technical notice.)

| Country | Jurisdiction & Control List |
|---------|-----------------------------|
| FR      | Not Listed                  |

**PN: 8D015K97SA**

|                |                                             |                                |                                                                                                       |
|----------------|---------------------------------------------|--------------------------------|-------------------------------------------------------------------------------------------------------|
| A              | 12-10-2016                                  | First Release                  |                                                                                                       |
| ISS            | DATE                                        | Latest modification - by       | MOD N°                                                                                                |
| Designed By:   |                                             | Date:                          | <b>CUSTOMER DRAWING</b>                                                                               |
| <b>TITLE</b>   | <b>Stainless Steel Receptacle 8D series</b> |                                |                                                                                                       |
| SCALE          | NA                                          | General linear Tolerances: ±-- | NPRDS / PROJECT<br><b>859</b>                                                                         |
| <b>SOURIAU</b> | <b>WWW.SOURIAU.COM</b>                      |                                | This document is the property of SOURIAU it must not be reproduced or communicated without permission |
| FORMAT         | <b>SOURIAU DRG N° 8D015K97SA-C</b>          |                                | SHEET<br>1/2                                                                                          |

BASIC SERIES: 8D 0 - 15 K 97 S A

SHELL TYPE : Square Flange Receptacle

CONTACT TYPE : Standard Crimp Contact

SHELL SIZE : 15

PLATING : K = Passivated

ORIENTATION : A

CONTACT TYPE : SOCKET(500 Matings)

CONTACT LAYOUT : 15-97

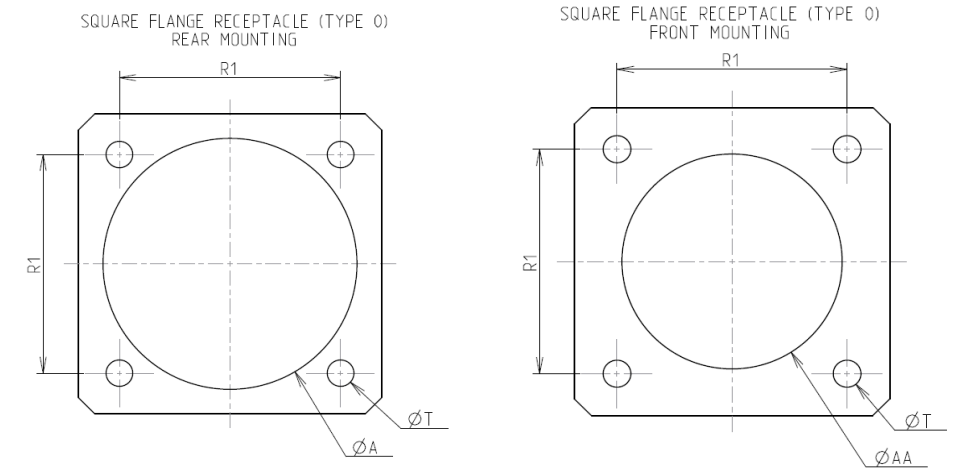
Contacts Layout



| Contacts<br>(Insert arrangement 15-97) |             |             |                     |             |             |
|----------------------------------------|-------------|-------------|---------------------|-------------|-------------|
| Contact position ID                    | Location    |             | Contact position ID | Location    |             |
|                                        | X-axis (mm) | Y-axis (mm) |                     | X-axis (mm) | Y-axis (mm) |
| A                                      | +065 (1.65) | +234 (5.94) | G                   | -207 (5.26) | -095 (2.41) |
| B                                      | +178 (4.52) | +178 (4.52) | H                   | -234 (5.94) | +065 (1.65) |
| C                                      | +230 (5.84) | -023 (0.58) | J                   | -178 (4.52) | +178 (4.52) |
| D                                      | +178 (4.52) | -178 (4.52) | K                   | -065 (1.65) | +234 (5.94) |
| E                                      | +065 (1.65) | -234 (5.94) | L                   | -047 (1.19) | +081 (2.06) |
| F                                      | -089 (2.26) | -235 (5.97) | M                   | +047 (1.19) | -081 (2.06) |

| Shell size | Arrangement no. | Number of contacts | Size contacts | Service rating | Contact location         | Supersedes |
|------------|-----------------|--------------------|---------------|----------------|--------------------------|------------|
| 15         | -97             | 4<br>8             | 16<br>20      | I              | C, G, L, M<br>All others | MS20052-97 |

Panel Cutout



| Dim | Nominal    |
|-----|------------|
| ØA  | 26.59 min  |
| ØAA | 23.01 min  |
| R1  | 24.61      |
| ØT  | 3.25 ±0.13 |

SOURIAU shall not be liable for any non-conformity or damage due to a use of the Products which does not comply with the Specifications issued by either of the Parties or by a third party (professional recommendation, technical notice.)

| Country | Jurisdiction & Control List |
|---------|-----------------------------|
| FR      | Not Listed                  |

PN: 8D015K97SA

|                |                                             |                            |                                                                                                       |
|----------------|---------------------------------------------|----------------------------|-------------------------------------------------------------------------------------------------------|
| A              | 12-10-2016                                  | First Release              |                                                                                                       |
| ISS            | DATE                                        | Latest modification - by   | MOD N°                                                                                                |
| Designed By:   |                                             | Date:                      | <b>CUSTOMER DRAWING</b>                                                                               |
| <b>TITLE</b>   | <b>Stainless Steel Receptacle 8D series</b> |                            |                                                                                                       |
| SCALE          |                                             | General linear Tolerances: | NPRDS / PROJECT                                                                                       |
| NA             |                                             | ±--                        | <b>859</b>                                                                                            |
| <b>SOURIAU</b> | <b>WWW.SOURIAU.COM</b>                      |                            | This document is the property of SOURIAU it must not be reproduced or communicated without permission |
| FORMAT         | <b>SOURIAU DRG N° 8D015K97SA-C</b>          |                            | SHEET 2/2                                                                                             |