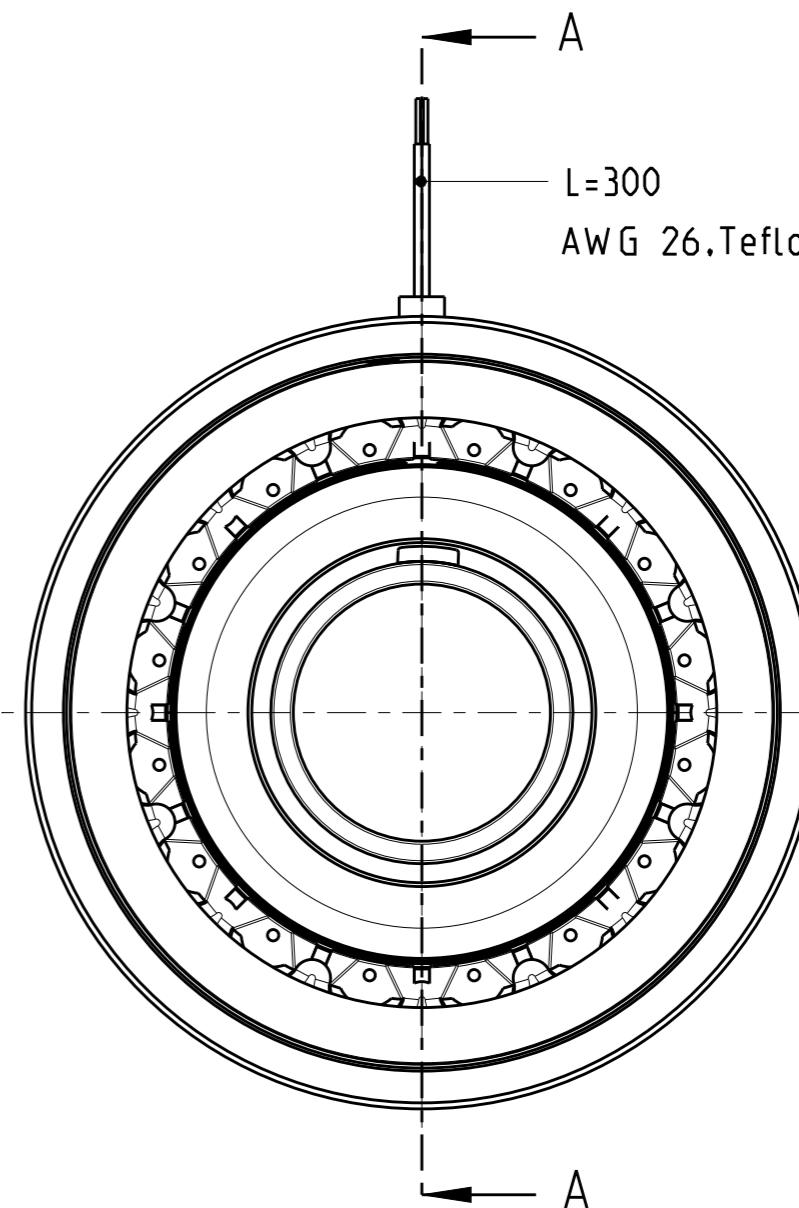
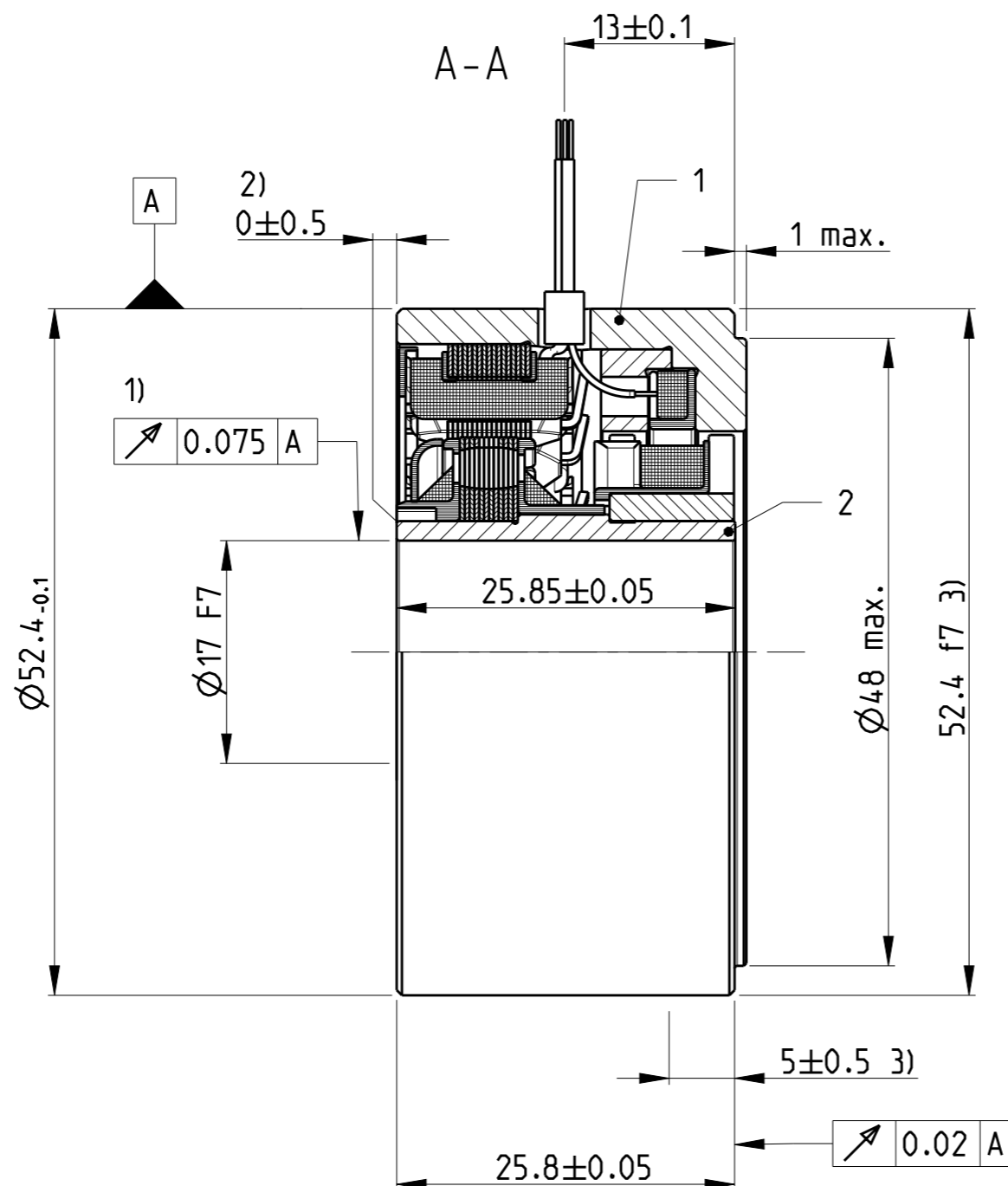
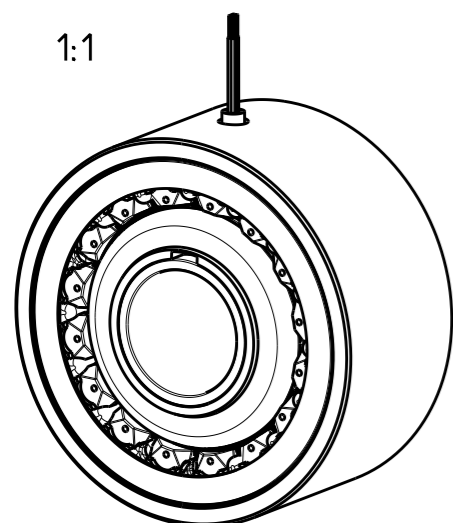


REVISIONS

P	LTR	DESCRIPTION	DATE	DWN	APVD
	B1	NEW DRAWING	03AUG2016	GCM	PL

Signal	Aderfarbe
S1	rot
S2	gelb
S3	schwarz
S4	blau
R1	rot-weiss
R2	gelb-weiss



Ø17F7	+0.034 +0.016
Ø52.4f7	-0.030 -0.060

Ersetzt / replace V23401-U6019-B609

- 1) Gesamtschlag im eingebauten Zustand
- 2) Axialversatz

REVISION OF EACH ASSY NO. (WHEN BLANK, USE DWG. REVISION)	PARTNUMBER	DESCRIPTION	ITEM NO
	1-1824376-0	Rotor kpl. / Bauform B6 (12N)	2
	1-1824221-0	Gehäuse kpl. / Bauform U6	1
	1-1824460-0		
PARTS LIST			

THIS DRAWING IS A CONTROLLED DOCUMENT.

DIMENSIONS:	TOLERANCES UNLESS OTHERWISE SPECIFIED:
mm	0 PLC ±
	1 PLC ±
	2 PLC ±
	3 PLC ±
	4 PLC ±
	ANGLES ±
MATERIAL	FINISH
-	-
-	-

DWN	GANESH C M	03AUG2016
CHK	P. LERCHENFELD	03AUG2016
APVD	P. LERCHENFELD	03AUG2016
PRODUCT SPEC	-	-
APPLICATION SPEC	-	-
WEIGHT	-	-
CUSTOMER DRAWING		

STE		TE Connectivity	
NAME Massbild Hohlwellendrehmelder Dimensional Drawing Resolver V23401-U6019-B609			
SIZE	CAGE CODE	DRAWING NO	RESTRICTED TO
A3	00779	C-6-1393048-3	-
SCALE 2:1		SHEET 1 OF 1	REV B1