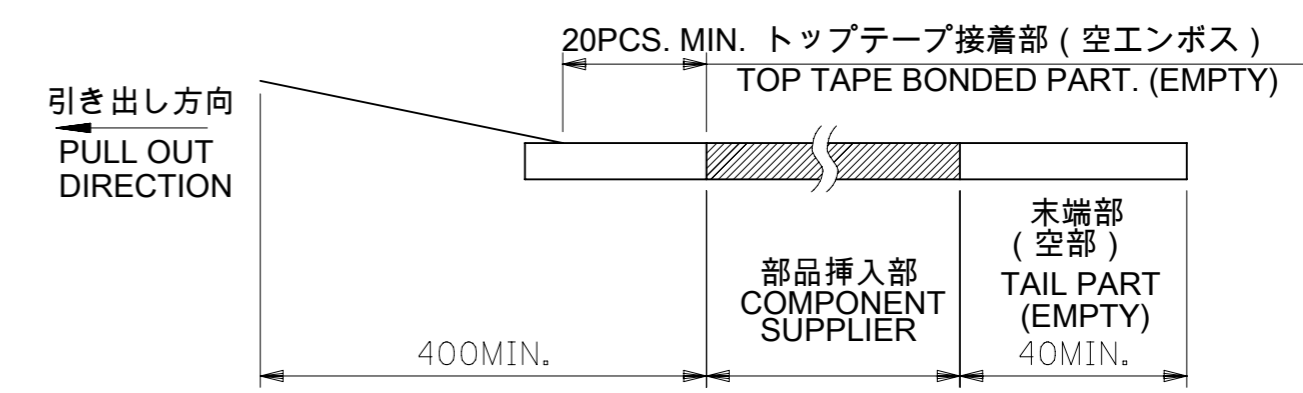
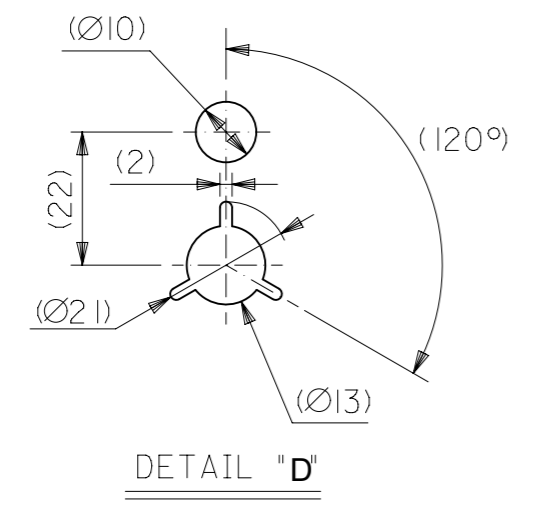


注記 NOTES

1. 製品詳細寸法については製品単体図面を参照下さい。
RE DETAILED DIMENSION, SEE PRODUCT DRAWING.
2. 梱包数量 : 3000個 / リール
NUMBER OF CONNECTORS : 3000PCS/REEL
3. リードテープ長さ LEAD TAPE LENGTH

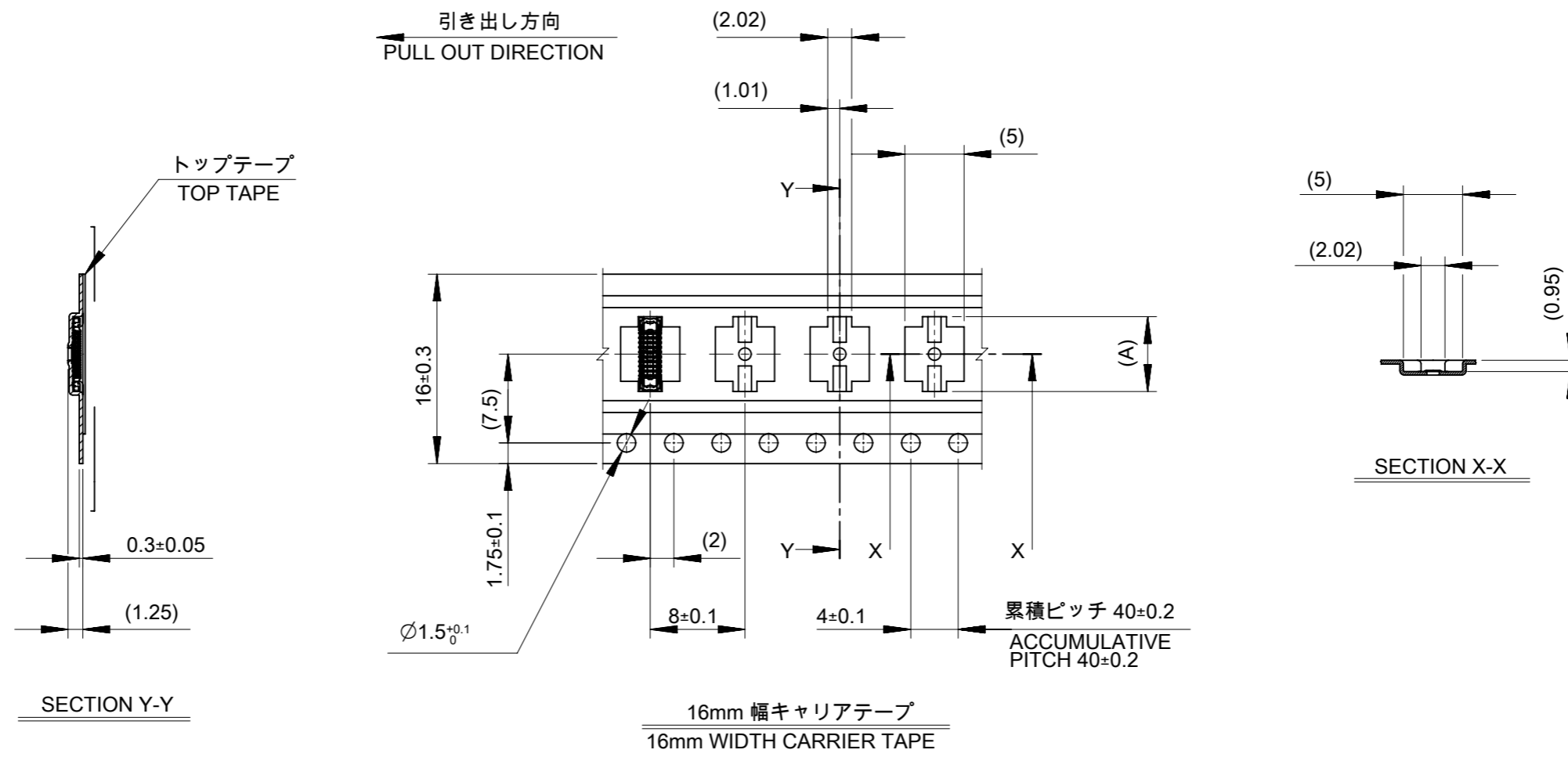


4. トップテープの剥離強度については、IEC60286-3に準拠
TOP TAPE PEEL FORCE IS DEFINED BY IEC60286-3.
5. 材料 MATERIAL
 キャリアテープ (CARRIER TAPE) : ポリスチレン (POLYSTYRENE)
 トップテープ (TOP TAPE) : PET , OTHER
 リール (REEL) : ポリスチレン (PS) <リサイクル材を含む>
 POLYSTYRENE (PS) <RECYCLE MATERIAL CONTAINED>
6. ELV 及び RoHS適合品
ELV AND RoHS COMPLIANT



PRE-RELEASE
REFERENCE
USE ONLY

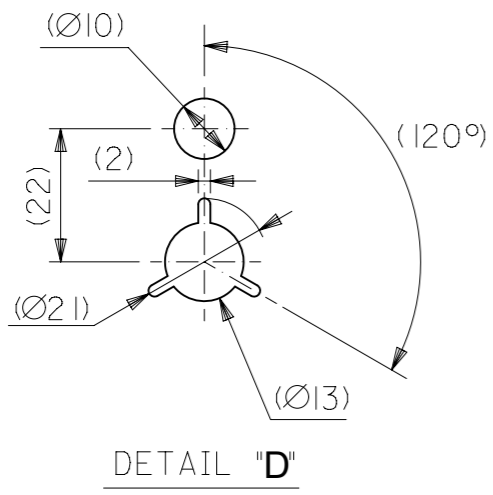
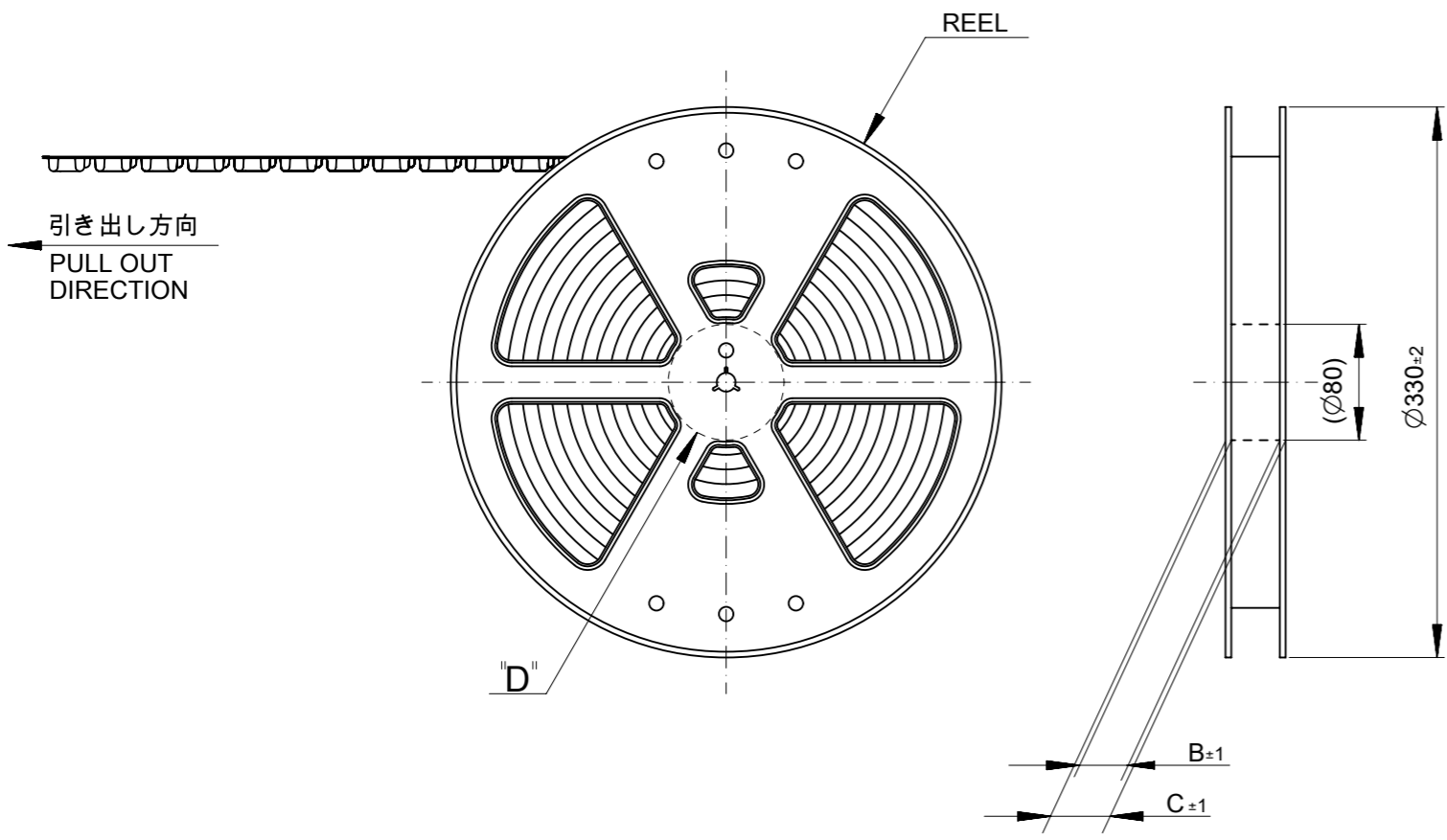
THIS DRAWING CONTAINS INFORMATION THAT IS PROPRIETARY TO MOLEX ELECTRONIC TECHNOLOGIES, LLC AND SHOULD NOT BE USED WITHOUT WRITTEN PERMISSION									
DIMENSION UNITS mm		SCALE NTS		CURRENT REV DESC: REMOVED OBSOLETE PART NUMBER AS PER PCN#511691.				molex	
GENERAL TOLERANCES (UNLESS SPECIFIED)				EC NO: 737858					
				DRWN: SANTHN 2023/02/10				0.4 BB CONN. H=0.8 REC ASSY. FOR CHECKER EMBSTP. PKG	
				CHK'D: GGA 2023/02/24				PRODUCT CUSTOMER DRAWING	
				APPR: GGA 2023/02/24				DOCUMENT NUMBER	
				INITIAL REVISION:				DOC TYPE	
				DRWN: KAMINO 2014/05/13				DOC PART	
				APPR: KMORIKAWA 2014/05/15				REVISION	
				ANGULAR TOL ± 1.0				SD-504208-004	
DRAFT WHERE APPLICABLE MUST REMAIN WITHIN DIMENSIONS		THIRD ANGLE PROJECTION		DRAWING		SERIES		MATERIAL NUMBER	
				A3-SIZE		504208		CUSTOMER	
								GENERAL MARKET	
								SEE TABLE	
								1 OF 2	



16	21.4	17.4	7.12	504208-2480	○	---	24
			6.32	504208-2080	---	---	20
			5.52	504208-1680	○	---	16
			5.12	504208-1480	---	---	14
			4.72	504208-1280	○	---	12
			4.32	504208-1080	○	---	10
キャリアテープ幅 CARRIER TAPE WIDTH	C	B	(A)	MATERIAL No.	量産品 MASS PRODUCTION	試作対応 LOW VOL. TOOL	極数 CIRCUIT
				MODEL No.	サンプル供給 SAMPLE PREPARATION	504208-**80	

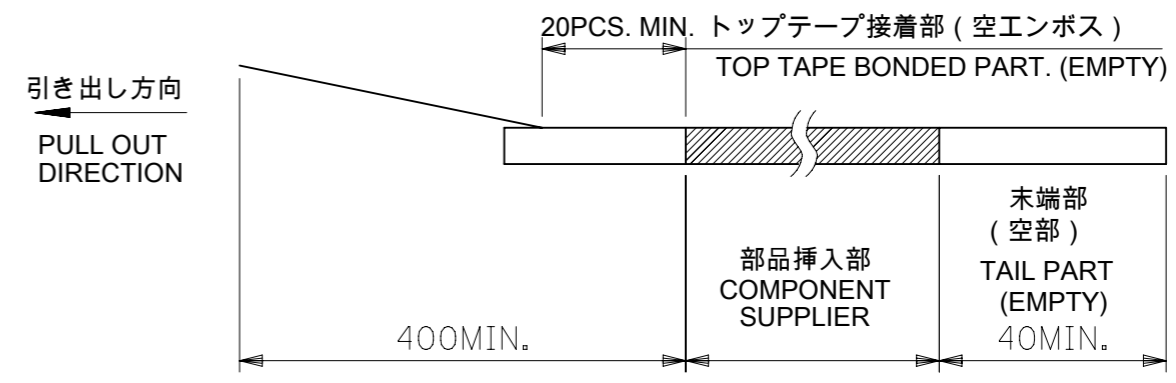
THIS DRAWING CONTAINS INFORMATION THAT IS PROPRIETARY TO MOLEX ELECTRONIC TECHNOLOGIES, LLC AND SHOULD NOT BE USED WITHOUT WRITTEN PERMISSION

DIMENSION UNITS	SCALE	CURRENT REV DESC: REMOVED OBSOLETE PART NUMBER AS PER PCN#511691.	
mm	NTS		
GENERAL TOLERANCES (UNLESS SPECIFIED)			
	MM	INCH	
4 PLACES	± 0.2	±	
3 PLACES	± 0.25	±	
2 PLACES	± 0.3	±	
1 PLACE	± 0.1	±	
0 PLACES	±	±	
ANGULAR TOL	± 1.0		
DRAFT WHERE APPLICABLE MUST REMAIN WITHIN DIMENSIONS		THIRD ANGLE PROJECTION	
EC NO: 737858	DRWN: SANTHN	2023/02/10	
CHK'D: GGA	APPR: GGA	2023/02/24	
INITIAL REVISION:		DOCUMENT NUMBER	DOC TYPE
DRWN: KAMINO	2014/05/13	SD-504208-004	PSD
APPR: KMORIKAWA	2014/05/15	DOC PART	001
		REVISION	A1
MATERIAL NUMBER	CUSTOMER	SHEET NUMBER	
SEE TABLE	GENERAL MARKET	2 OF 2	



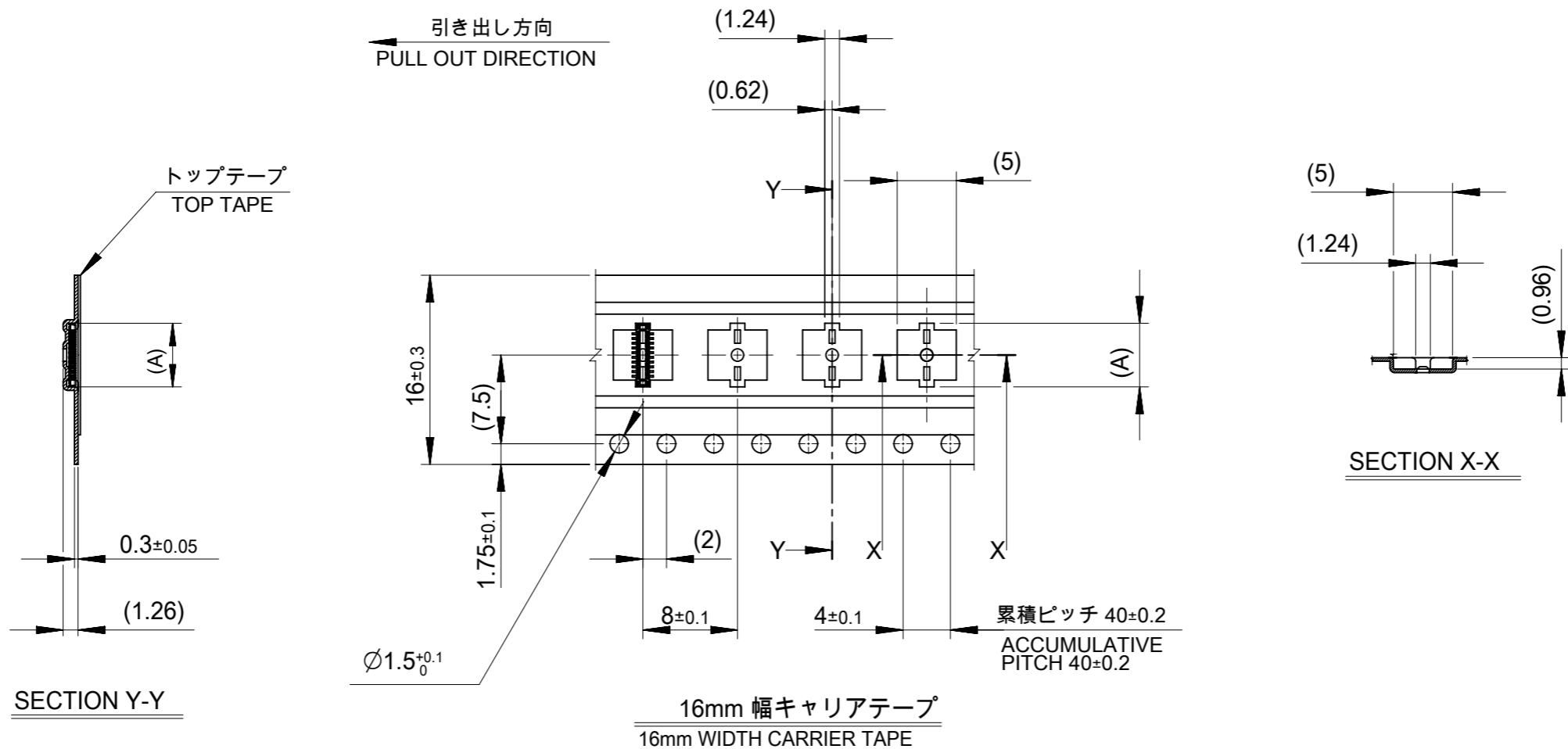
注記 NOTES

1. 製品詳細寸法については製品単体図面を参照下さい。
RE DETAILED DIMENSION, SEE PRODUCT DRAWING.
2. 梱包数量 : 3000 個 / リール
NUMBER OF CONNECTORS : 3000PCS/REEL
3. リードテープ長さ LEAD TAPE LENGTH



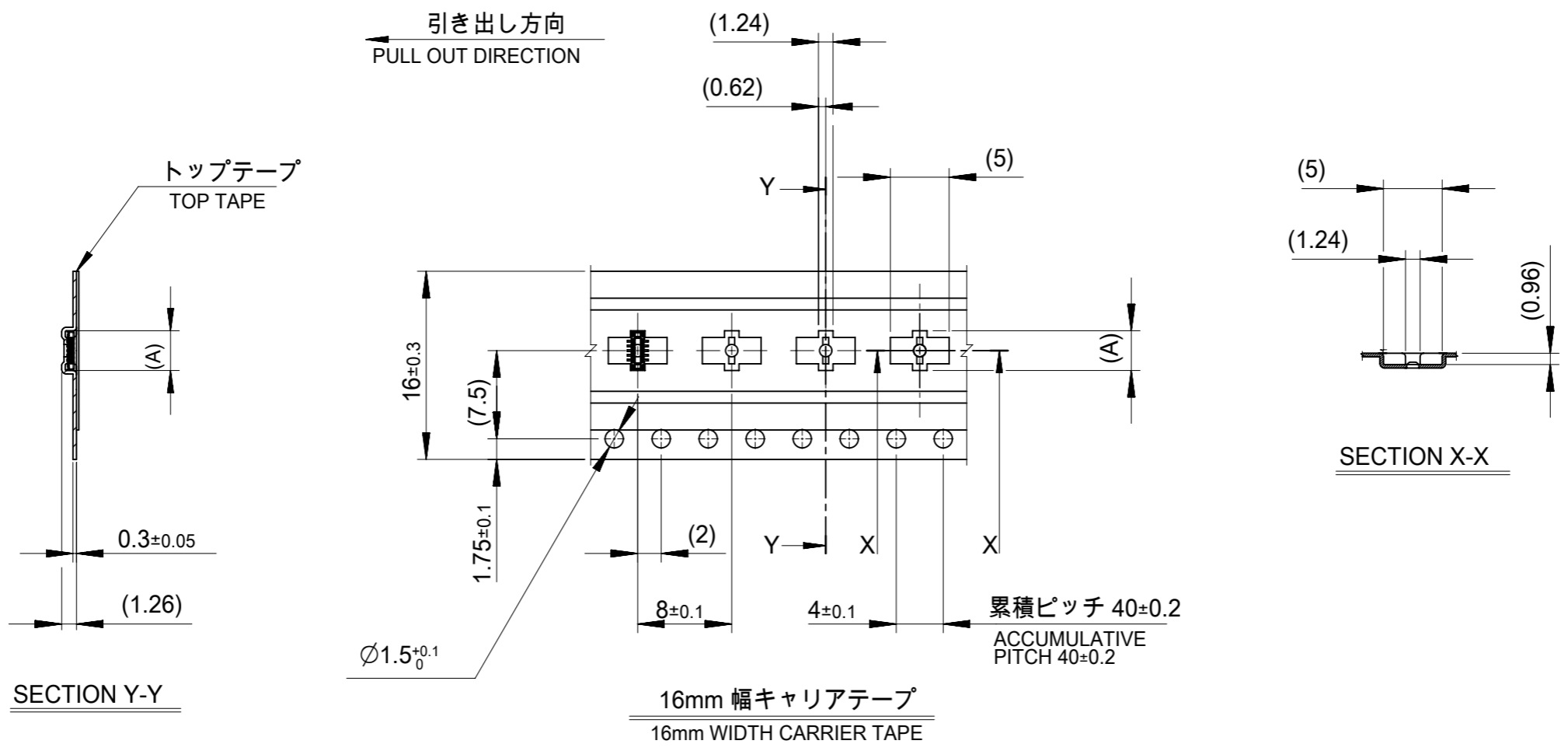
4. トップテープの剥離強度については、IEC60286-3に準拠
TOP TAPE PEEL FORCE IS DEFINED BY IEC60286-3.
5. 材料 MATERIAL
キャリアテープ (CARRIER TAPE) : ポリスチレン (POLYSTYRENE)
トップテープ (TOP TAPE) : PET, OTHER
リール (REEL) : ポリスチレン (PS) <リサイクル材を含む>
POLYSTYRENE (PS) <RECYCLE MATERIAL CONTAINED>
6. ELV 及び RoHS適合品
ELV AND RoHS COMPLIANT

THIS DRAWING CONTAINS INFORMATION THAT IS PROPRIETARY TO MOLEX ELECTRONIC TECHNOLOGIES, LLC AND SHOULD NOT BE USED WITHOUT WRITTEN PERMISSION									
DIMENSION UNITS		SCALE		CURRENT REV DESC: REMOVED OBSOLETE PART NUMBERS AS PER PCN#511691				molex	
mm		1:1							
GENERAL TOLERANCES (UNLESS SPECIFIED)				EC NO: 737858		2023/02/13		0.4 BB CONN. H=0.8 PLUG ASSY. FOR CHECKER EMBSTP. PKG	
ANGULAR TOL ± 1.0°				DRWN: LIKITV		2023/02/24		PRODUCT CUSTOMER DRAWING	
4 PLACES ± 0.2				CHK'D: GGA		2023/02/24		DOCUMENT NUMBER	
3 PLACES ± 0.25				APPR: GGA		2023/02/24		SD-504248-004	
2 PLACES ± 0.3				INITIAL REVISION:		2014/05/13		DOC TYPE	
1 PLACE ± 0.1				DRWN: KAMINO		2014/05/13		DOC PART	
0 PLACES ±				APPR: KMORIKAWA		2014/05/15		REVISION	
DRAFT WHERE APPLICABLE MUST REMAIN WITHIN DIMENSIONS				THIRD ANGLE PROJECTION		DRAWING		SHEET NUMBER	
				A3-SIZE		504248		1 OF 3	



16	21.4	17.4	6.18	504248-2480	○	---	24
キャリアテープ幅 CARRIER TAPE WIDTH	C	B	(A)	MATERIAL No.	量産品 MASS PRODUCTION	試作対応 LOW VOL. TOOL	極数 CIRCUIT
				MODEL No.	サンプル供給 SAMPLE PREPARATION		504248-**80

THIS DRAWING CONTAINS INFORMATION THAT IS PROPRIETARY TO MOLEX ELECTRONIC TECHNOLOGIES, LLC AND SHOULD NOT BE USED WITHOUT WRITTEN PERMISSION							
DIMENSION UNITS mm	SCALE NTS	CURRENT REV DESC: REMOVED OBSOLETE PART NUMBERS AS PER PCN#511691					
GENERAL TOLERANCES (UNLESS SPECIFIED)		molex 0.4 BB CONN. H=0.8 PLUG ASSY. FOR CHECKER EMBSTP. PKG PRODUCT CUSTOMER DRAWING					
ANGULAR TOL	± 1.0°						
4 PLACES	± 0.2						
3 PLACES	± 0.25						
2 PLACES	± 0.3						
1 PLACE	± 0.1						
0 PLACES	±	EC NO: 737858	DRWN: LIKITV	2023/02/13	DOCUMENT NUMBER		
DRAFT WHERE APPLICABLE MUST REMAIN WITHIN DIMENSIONS		CHK'D: GGA	APPR: GGA	2023/02/24	SD-504248-004		DOC TYPE
THIRD ANGLE PROJECTION		INITIAL REVISION:	DRWN: KAMINO	2014/05/13	PSD	DOC PART	REVISION
DRAWING		APPR: KMORIKAWA	2014/05/15	A3-SIZE	001	C1	
SERIES		MATERIAL NUMBER		CUSTOMER	SHEET NUMBER		
504248		SEE CHART		GENERAL MARKET	2 OF 3		



16	21.4	17.4	3.38	504248-1080	○	---	10
キャリアテープ幅 CARRIER TAPE WIDTH	C	B	(A)	MATERIAL No.	量産品 MASS PRODUCTION	試作対応 LOW VOL. TOOL	極数 CIRCUIT
				MODEL No.	サンプル供給 SAMPLE PREPARATION		504248-**80

THIS DRAWING CONTAINS INFORMATION THAT IS PROPRIETARY TO MOLEX ELECTRONIC TECHNOLOGIES, LLC AND SHOULD NOT BE USED WITHOUT WRITTEN PERMISSION

DIMENSION UNITS mm	SCALE NTS	CURRENT REV DESC: REMOVED OBSOLETE PART NUMBERS AS PER PCN#511691	molex	
GENERAL TOLERANCES (UNLESS SPECIFIED)		EC NO: 737858	0.4 BB CONN. H=0.8 PLUG ASSY. FOR CHECKER EMBSTP. PKG	
ANGULAR TOL	± 1.0°	DRWN: LIKITV	PRODUCT CUSTOMER DRAWING	
4 PLACES	± 0.2	CHK'D: GGA	DOCUMENT NUMBER	
3 PLACES	± 0.25	APPR: GGA	SD-504248-004	
2 PLACES	± 0.3	INITIAL REVISION:	DOC TYPE	DOC PART
1 PLACE	± 0.1	DRWN: KAMINO	PSD	001
0 PLACES	±	APPR: KMORIKAWA	REVISION	C1
DRAFT WHERE APPLICABLE MUST REMAIN WITHIN DIMENSIONS	THIRD ANGLE PROJECTION	DRAWING	MATERIAL NUMBER	CUSTOMER
		A3-SIZE	504248	SEE CHART
		SERIES	GENERAL MARKET	SHEET NUMBER
				3 OF 3