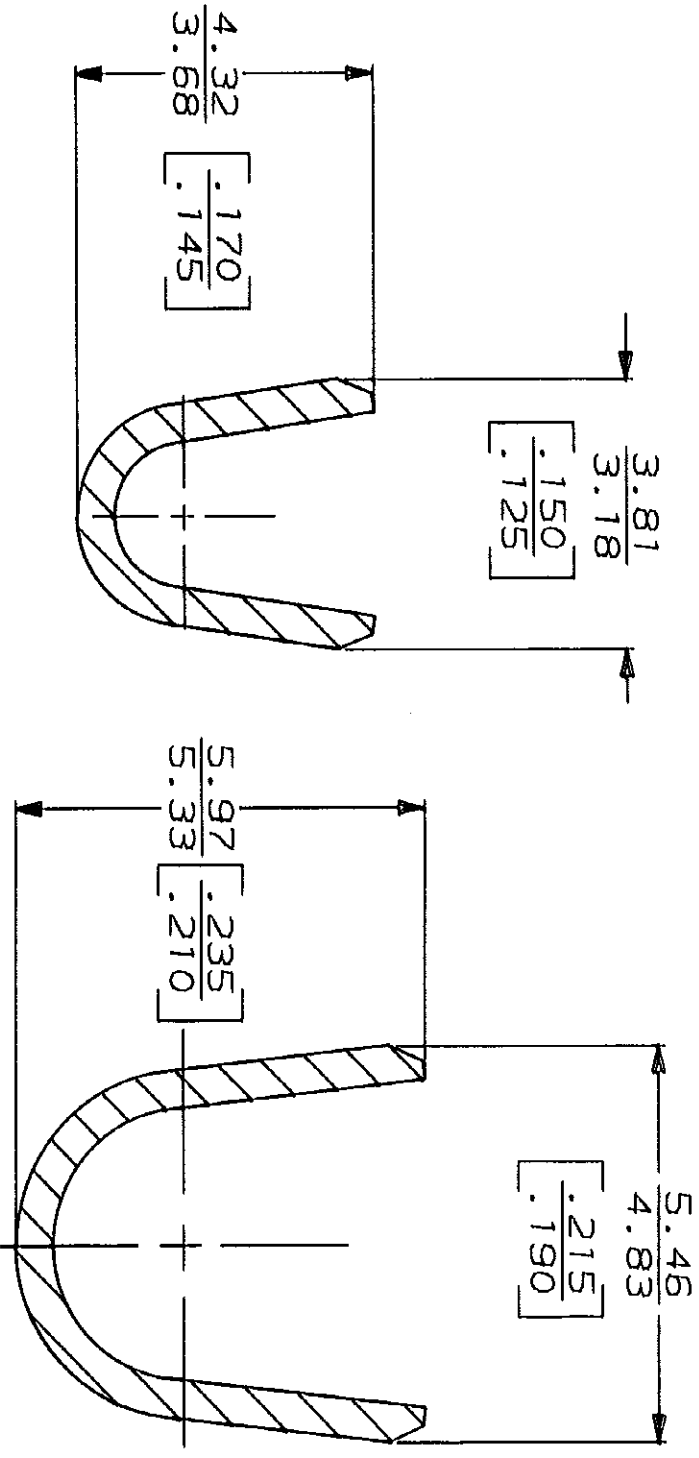
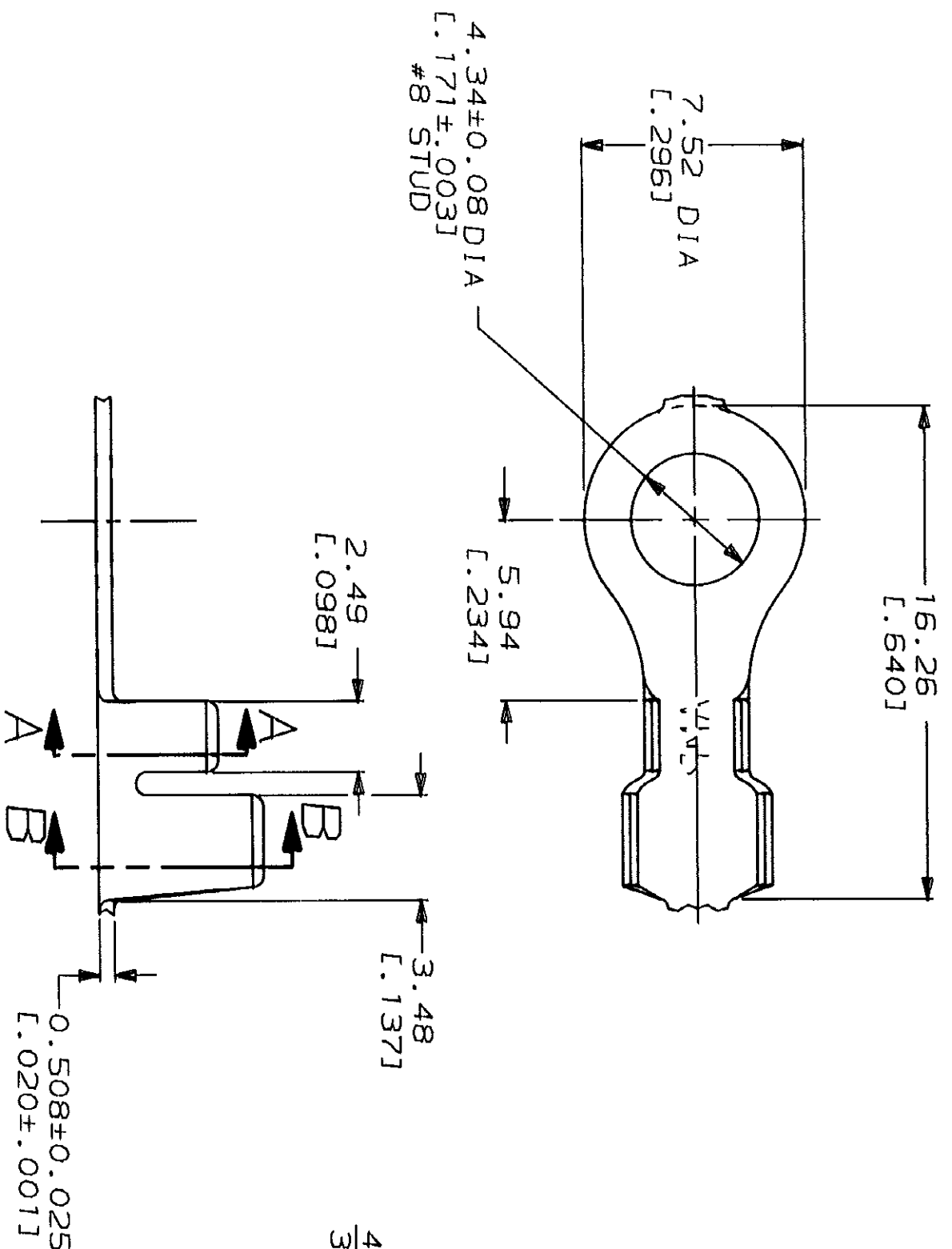


LOC	DIST	REVISIONS		DATE	APPD
AF	50	P	F	7/22/91	PF/GY
		ZONE	LTR	DESCRIPTION	
		M		REDRAWN AND SEPARATED FROM 40623 PER AF-7551	

1 CONTINUOUS STRIP ON REEL.



SECTION A-A
SCALE 10:1

SECTION B-B
SCALE 10:1

METRIC

TYPE	WIDTH	STRIP LENGTH ±0.38 [±.015]	TYPE	WIDTH	±0.051 [E.002]	WIRE
F OR 0	4.57 [180]	4.06 [160]	F	3.05 [120]	1.70 [067]	0.8mm [18]
INSUL BARREL CRIMP			WIRE BARREL CRIMP		1.83 [072]	1.3mm [16]
					2.03 [080]	2.0mm [4]

DO NOT SCALE PRINT. UNLESS SPECIFIED DIMENSIONS IN INCHES! TOLERANCES ON: 1. PLC DEC ± 0.25 [1.010] 2. PLC DEC ± 3. ANGLES MATERIAL: 082 BRASS	DR P FORNEY 7/22/91	AMP INCORPORATED
INSULATION RANGE: 3.05-4.32 DIA [1.120-.170]	CHK MS FEVER 8/9/91	HARRISBURG, PA 17105-3508
WIRE RANGE: 0.8-2.0mm [18-14] AWG	APPD G VETTER 8/12/91	PART NO: 41559
	APPD R MERVILL 8/12/91	

FINISH	APPLICATION SPEC	WEIGHT	SCALE	DRAWING NO	SHEET
			5:1	00779	1 OF 1
				41559	

CUSTOMER DRAWING