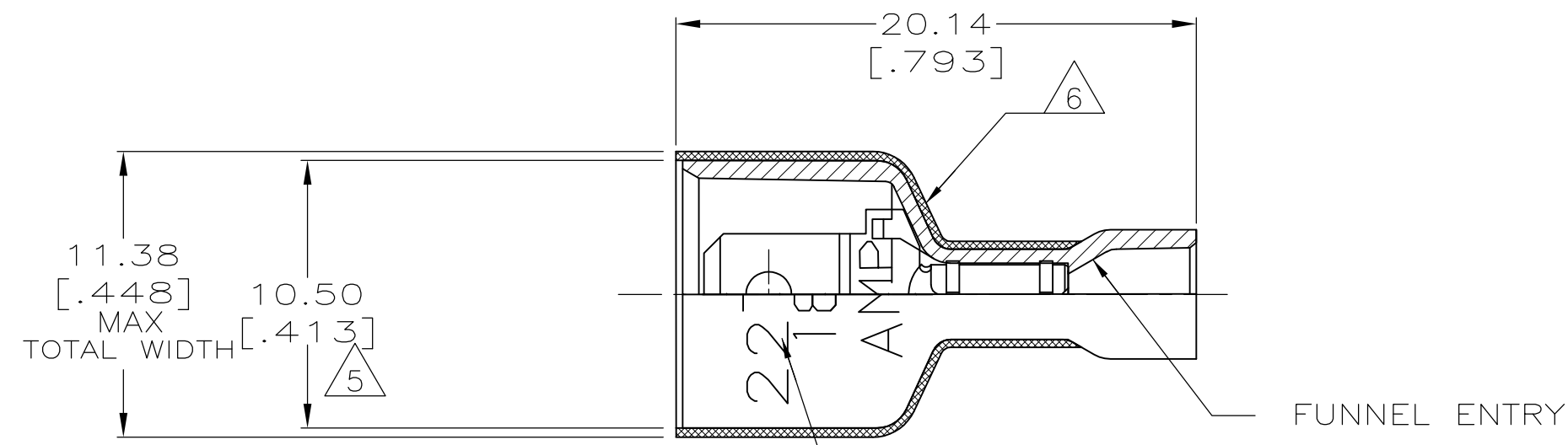
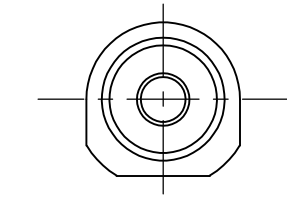
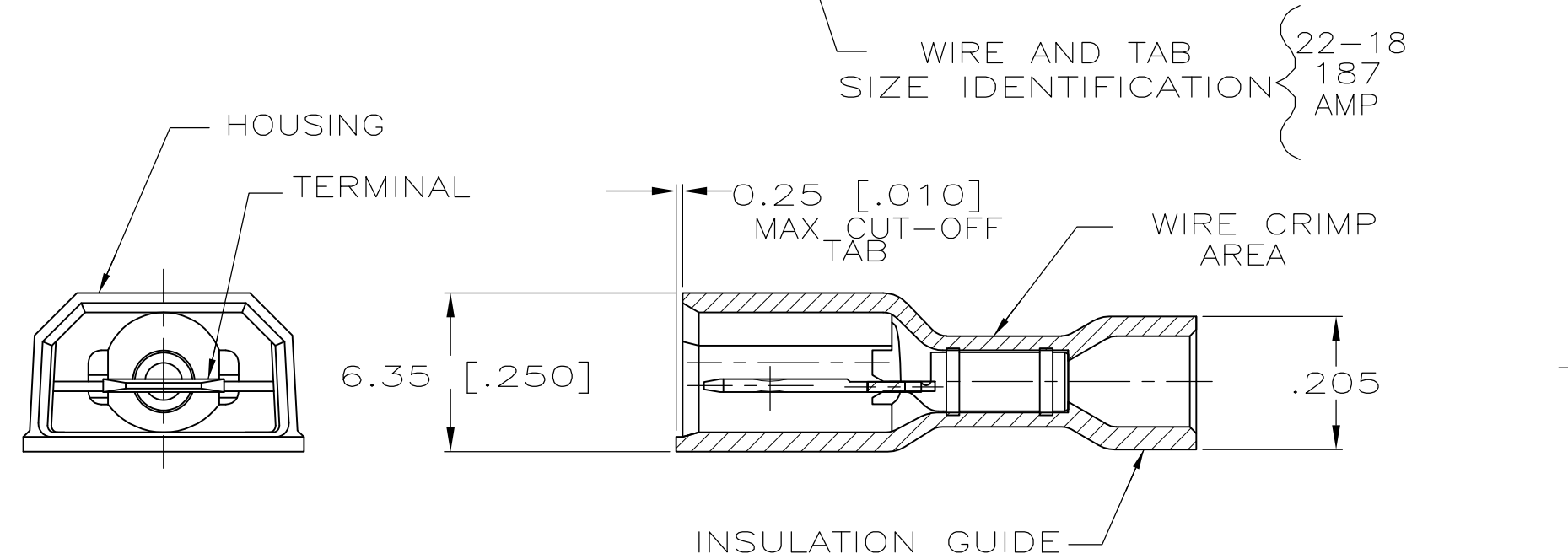


THIS DRAWING IS UNPUBLISHED. RELEASED FOR PUBLICATION
 © COPYRIGHT - By - ALL RIGHTS RESERVED.

LOC	DIST	REVISIONS			
P	LTR	DESCRIPTION	DATE	DWN	APVD
AF	50	C	REVISED PER ECR-13-004343	30JUL13	KH KR



- 1 TAB DIMENSIONS .020±.001x.187
- 2 WIRE STRIP LENGTH .281
- 3 INSULATION SIZE .135 MAX DIA
- 4 SUPPLIED IN LOOSE PIECE
- △5 DIMENSION DOES NOT INCLUDE TRIM BURR
- △6 0.38[.015] MAX CARRIER TRIM BURR PER SIDE IS ALLOWABLE IN THE SHADED AREA



HOUSING: NYLON, COLOR-RED TRANSLUCENT TAB: BRASS, TIN	2-521103-2
MATERIAL & FINISH	PART NO

THIS DRAWING IS A CONTROLLED DOCUMENT.		DWN	JR RUTH	9/25/95	STE TE Connectivity											
DIMENSIONS: mm [INCHES]		CHK	MS FEHER	9/25/95												
TOLERANCES UNLESS OTHERWISE SPECIFIED:		APVD	J WORMAN	9/25/95												
<table border="0"> <tr><td>0 PLC</td><td>± -</td></tr> <tr><td>1 PLC</td><td>± -</td></tr> <tr><td>2 PLC</td><td>± 0.38 [.015]</td></tr> <tr><td>3 PLC</td><td>± -</td></tr> <tr><td>4 PLC</td><td>± -</td></tr> <tr><td>ANGLES</td><td>± -</td></tr> </table>		0 PLC	± -	1 PLC		± -	2 PLC	± 0.38 [.015]	3 PLC	± -	4 PLC	± -	ANGLES	± -	PRODUCT SPEC	
0 PLC	± -															
1 PLC	± -															
2 PLC	± 0.38 [.015]															
3 PLC	± -															
4 PLC	± -															
ANGLES	± -															
MATERIAL SEE TABLE		FINISH SEE TABLE		108-2017												
		APPLICATION SPEC		114-2123												
		WEIGHT		-												
		SIZE	A3	CAGE CODE	00779											
		DRAWING NO		C-521103												
		RESTRICTED TO		-												
		CUSTOMER DRAWING		SCALE	4:1											
		SHEET		1 OF 1												
		REV		C												