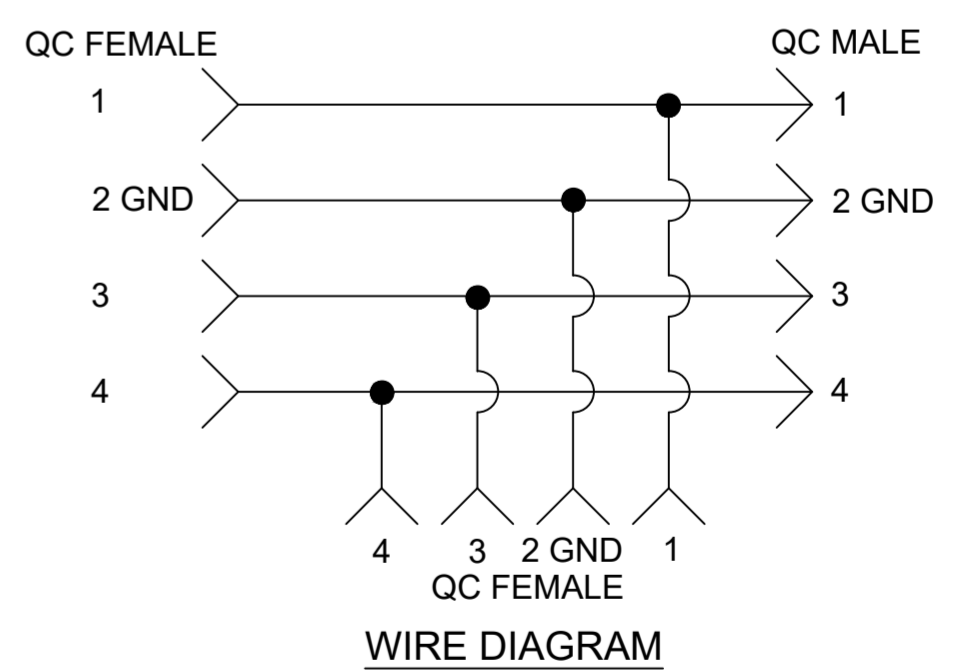
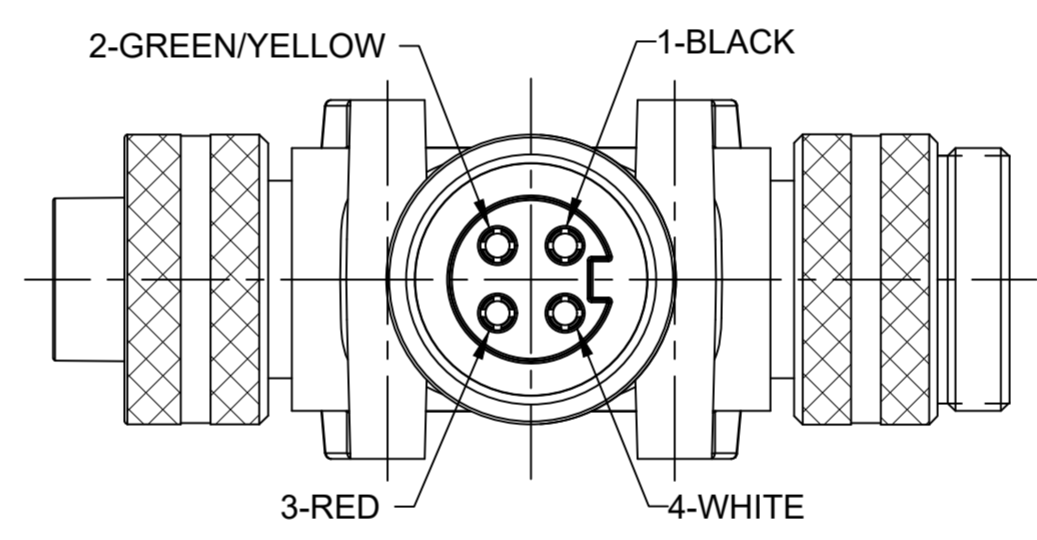
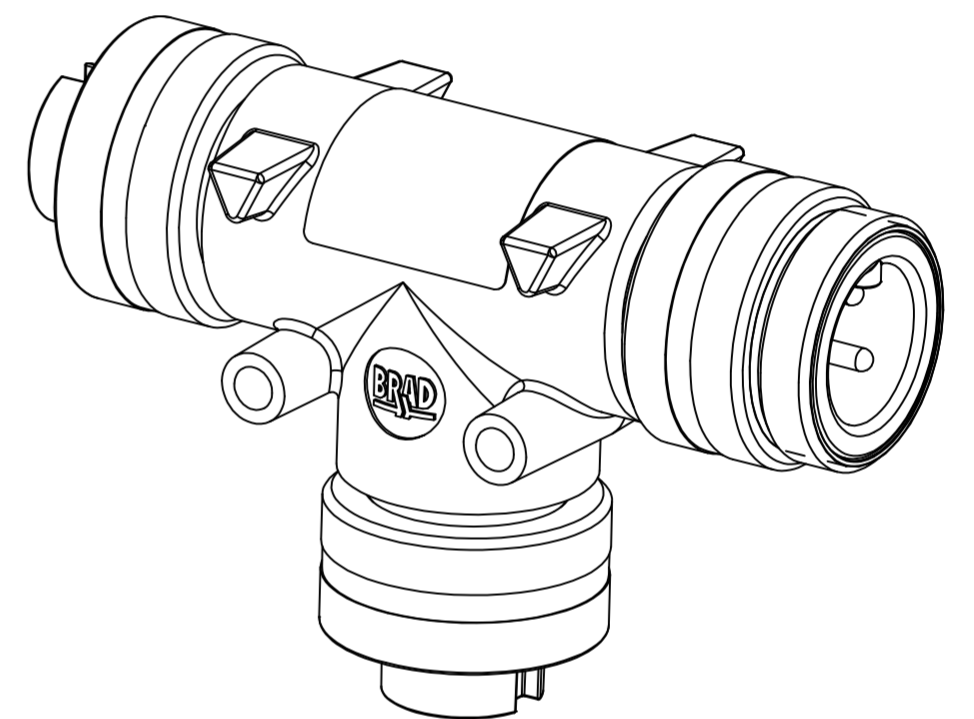
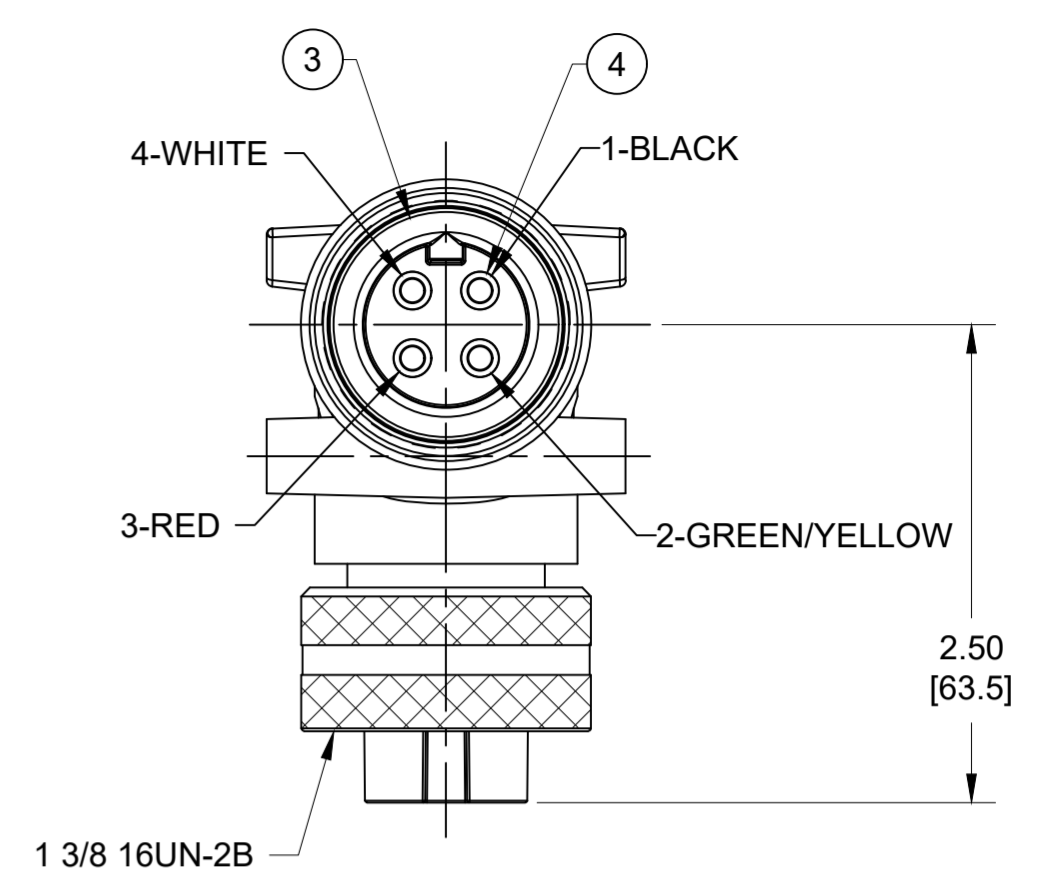
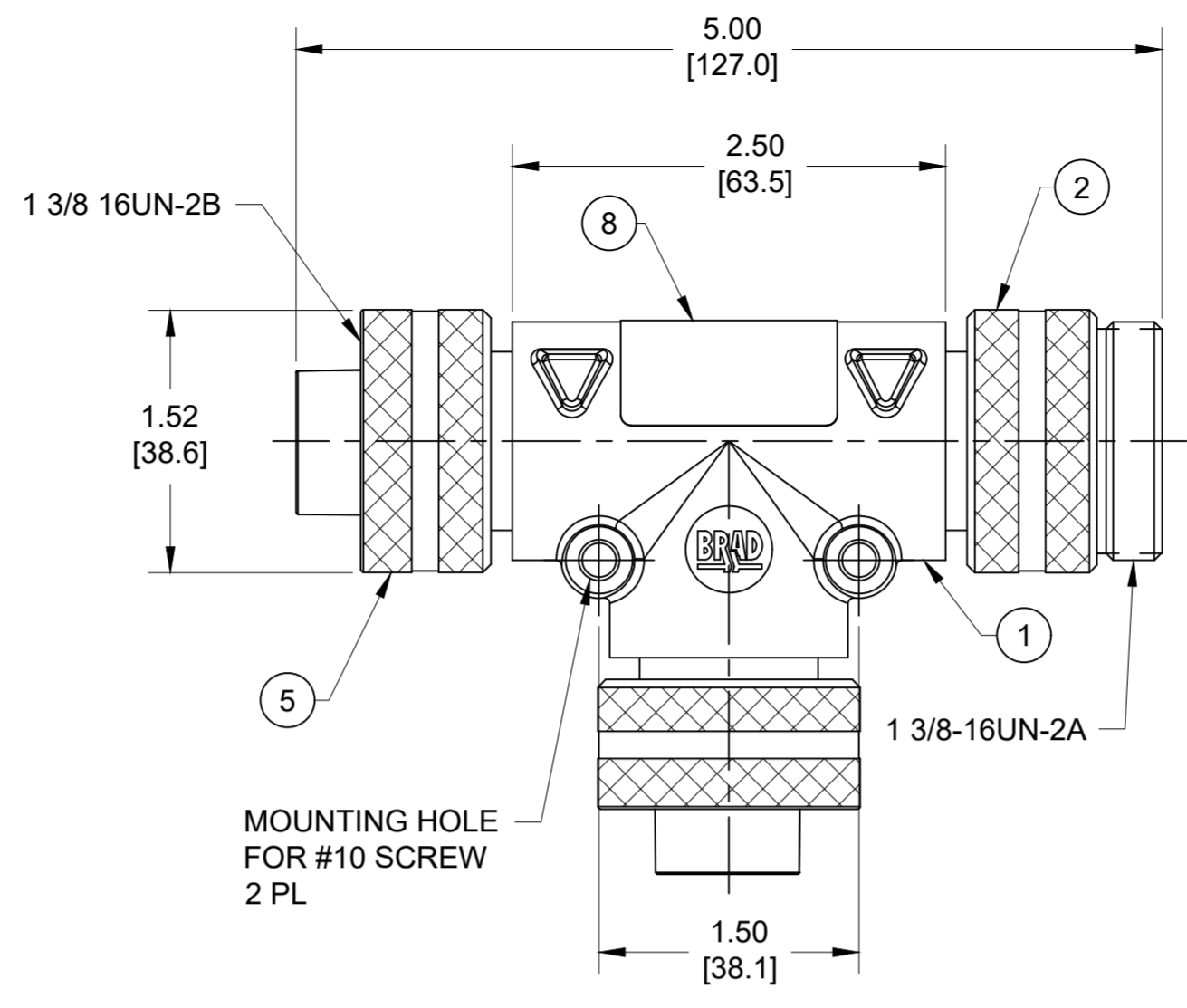
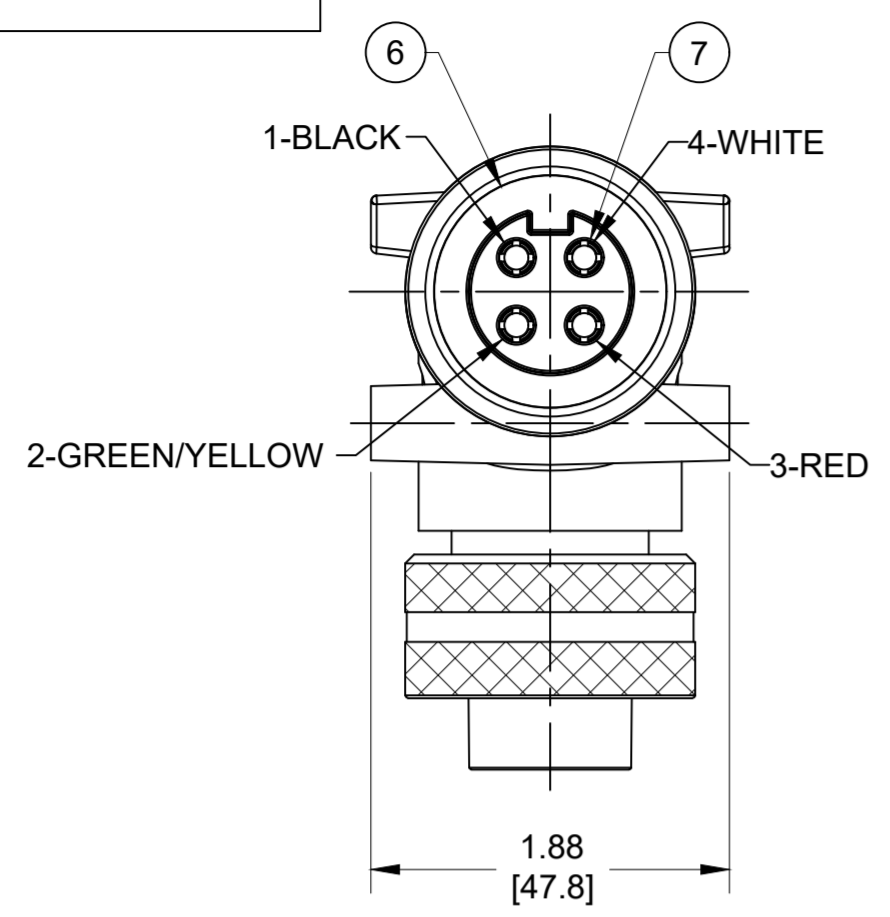


PART NUMBER	ENGINEERING NUMBER
1300680079	TC40C40-200



- NOTES:**
- MATERIAL: AS NOTED
 - FINISH: AS NOTED
 - ELECTRICAL:
 - VOLTAGE: 500V PER IEC60664 ^(D)
 - 600V PER UL2237
 - CURRENT: 32A
 - TEMP RATING: -20° TO +105°C ^(D)
 - PROTECTION: IP67 (WHEN MATED)
 - UL LISTED FILE: E258922
 - ALL DIMENSIONS ARE FOR REFERENCE UNLESS TOLERANCED OR NOTED OTHERWISE

8	LABEL	POLYESTER	BLACK/ORANGE
7	QC SOCKET CONTACT	COPPER ALLOY	GOLD PLATED
6	QC FEMALE INSERT	TPE	BLACK
5	QC FEMALE COUPLING NUT	ALUMINUM	CLEAR ANODIZE
4	QC PIN CONTACT	COPPER ALLOY	GOLD PLATED
3	QC MALE INSERT	TPE	BLACK
2	QC MALE COUPLING NUT	ALUMINUM	CLEAR ANODIZE
1	OVERMOLD	TPE	GRAY
ITEM	DESCRIPTION	MATERIAL	FINISH

FUNCTIONAL SYMBOLS $F_A=0$ $F_C=0$ $F_P=0$ DIVISIONAL SYMBOLS	THIS DRAWING CONTAINS INFORMATION THAT IS PROPRIETARY TO MOLEX ELECTRONIC TECHNOLOGIES, LLC AND SHOULD NOT BE USED WITHOUT WRITTEN PERMISSION		CURRENT REV DESC: ITEM# 1, 3 & 6 WERE PVC. UPDATED IEC VOLTAGE & TEMP RATING	
	DIMENSION UNITS	SCALE	EC NO: 664420	
	INCH/MM	NTS	DRWN: ABENJAMINLW	2021/02/01
	GENERAL TOLERANCES (UNLESS SPECIFIED)		CHK'D: RSTONE	2021/05/19
4 PLACES ±----		APPR: BWOODMAN	2021/05/19	
3 PLACES ±----		INITIAL REVISION:		
2 PLACES ±----		DRWN: KJOZWIK	2010/01/14	
1 PLACE ±----		APPR: JFMURPHY	2010/01/15	
0 PLACES ±----		ANGULAR TOL ± ---- °		
DRAFT WHERE APPLICABLE MUST REMAIN WITHIN DIMENSIONS		THIRD ANGLE PROJECTION	DRAWING SERIES	
		C-SIZE	130068	
DOCUMENT STATUS		P1	RELEASE DATE	
2021/05/19		23:56:25		
DOCUMENT NUMBER		DOC TYPE/DOC PART	REVISION	
SD-130068-010		PSD	001 D	
MATERIAL NUMBER		CUSTOMER	SHEET NUMBER	
SEE CHART		GENERAL MARKET	1 OF 1	