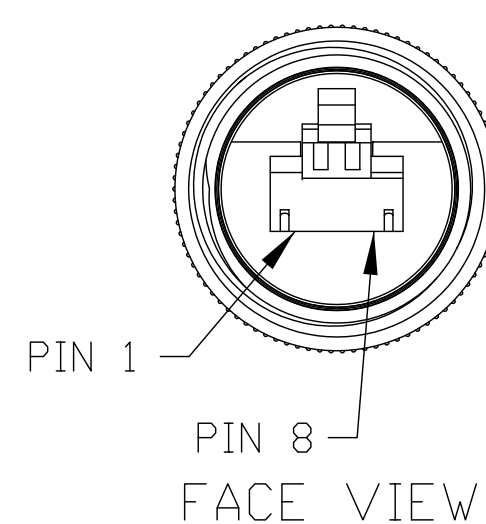
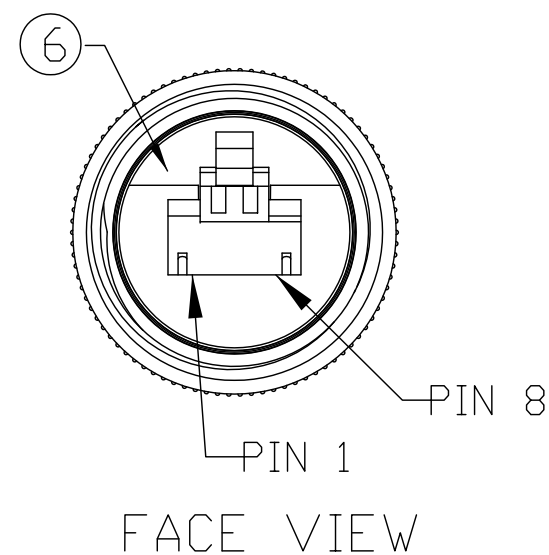
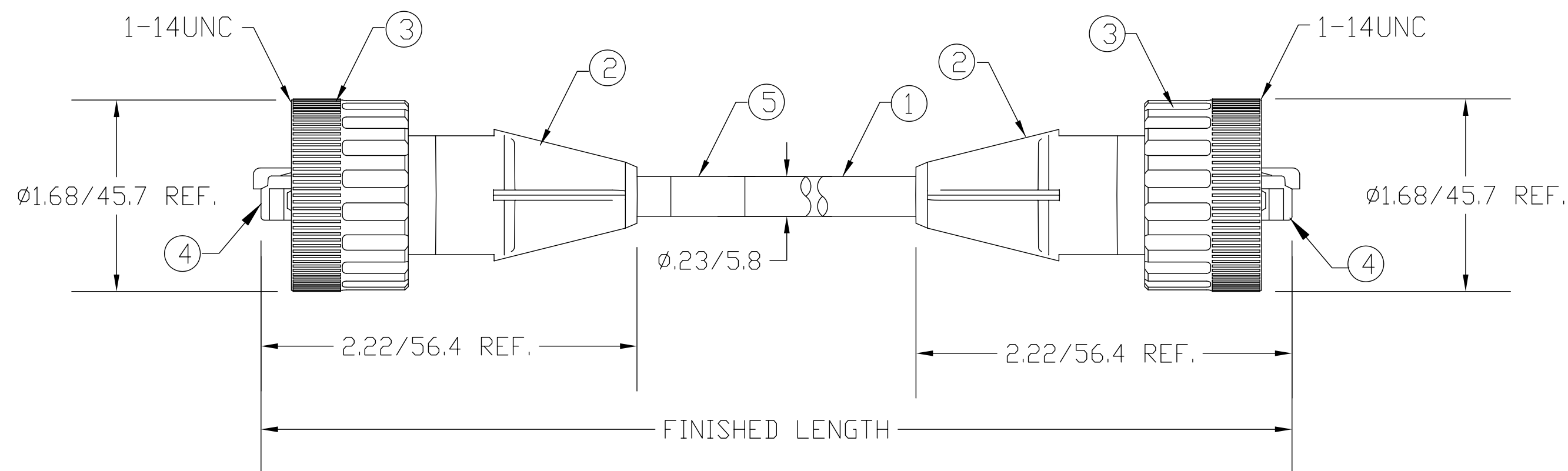
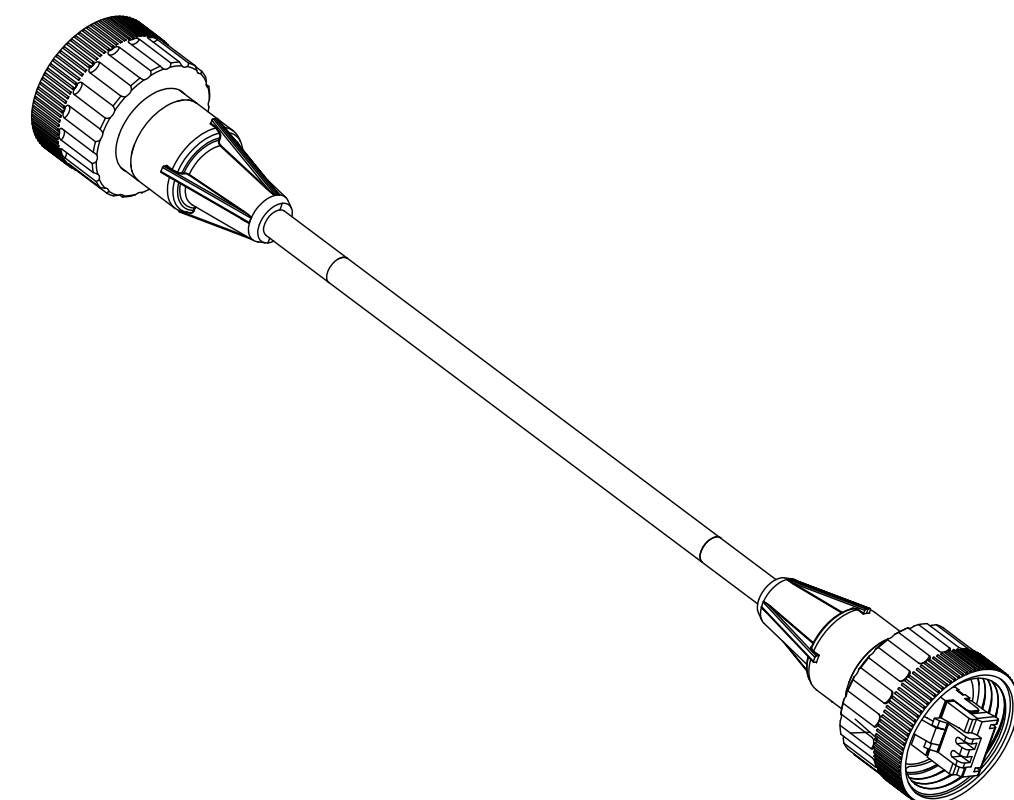


MATERIAL NUMBER	OLD PART NUMBER	FINISHED LENGTH
1300500284	ENS1115M010	3.28' +2.19" -0 [1.0M +55.6 -0]



1	WHITE/BLUE	1
2	BLUE	2
3	WHITE/ORANGE	3
4	NOT USED	4
5	NOT USED	5
6	ORANGE	6
7	NOT USED	7
8	NOT USED	8
SHD	DRAIN WIRE	SHD

WIRING DIAGRAM

VOLTAGE RATING	125 VDC
AMPERAGE RATING	1.5 AMPS
PROTECTION	IP67
OPERATING TEMPERATURE	-20°C TO 80°C

ITEM	QTY.	DESCRIPTION	MATERIAL	FINISH
6	2	O-RING	VITON	BLACK
5	1	LABEL	PLASTIC FILM	BLACK/YELLOW
4	2	RJ45 PLUG	POLYCARBONATE	CLEAR
3	2	COUPLING NUT	ABS	BLACK
2	2	OVERMOLD	PUR	BLACK
1	1	ETHERNET CABLE-CAT5E	PUR JACKET	BLACK

RLSO DRAWING EC NO: WNA2010-0442 DRWN: TVICKERS 2010/01/18 CH'KD: B.WOODMA APPR: DTITUS 2010/01/19	DESCRIPTION A	QUALITY SYMBOL $\blacktriangledown = 0$ $\triangleleft = 0$	GENERAL TOLERANCES (UNLESS SPECIFIED) <table border="1"> <thead> <tr> <th></th> <th>mm</th> <th>INCH</th> </tr> </thead> <tbody> <tr><td>4 PLACES</td><td>$\pm .---$</td><td>$\pm .---$</td></tr> <tr><td>3 PLACES</td><td>$\pm .---$</td><td>$\pm .005$</td></tr> <tr><td>2 PLACES</td><td>± 0.13</td><td>± 0.010</td></tr> <tr><td>1 PLACE</td><td>± 0.25</td><td>± 0.020</td></tr> </tbody> </table>		mm	INCH	4 PLACES	$\pm .---$	$\pm .---$	3 PLACES	$\pm .---$	$\pm .005$	2 PLACES	± 0.13	± 0.010	1 PLACE	± 0.25	± 0.020	DIMENSION STYLE IN/MM DRAWN BY: _____ DATE: _____ CHECKED BY: _____ DATE: _____ APPROVED BY: B.WOODMA DATE: 2010/01/13 DTITUS DATE: 2010/01/19	SCALE 1:1 DESIGN UNITS INCH THIRD ANGLE PROJECTION	TITLE RJ-LNXX CORDSET MALE/MALE 10 BASE T PUR CABLE MOLEX INCORPORATED MATERIAL NO. SEE CHART DOCUMENT NO. SD-130050-026 SHEET NO. 1 OF 1
			mm	INCH																	
		4 PLACES	$\pm .---$	$\pm .---$																	
		3 PLACES	$\pm .---$	$\pm .005$																	
2 PLACES	± 0.13	± 0.010																			
1 PLACE	± 0.25	± 0.020																			
DRAFT WHERE APPLICABLE MUST REMAIN WITHIN DIMENSIONS			SIZE C	THIS DRAWING CONTAINS INFORMATION THAT IS PROPRIETARY TO MOLEX INCORPORATED AND SHOULD NOT BE USED WITHOUT WRITTEN PERMISSION																	