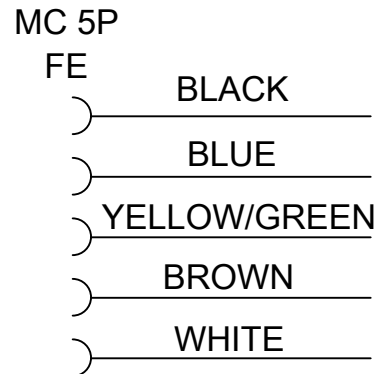
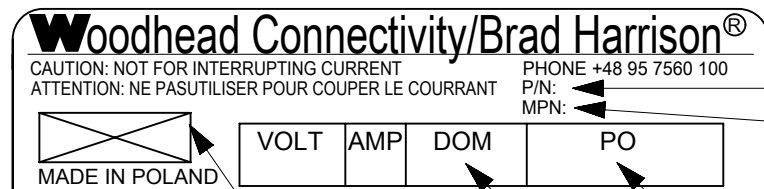


WIRING DIAGRAM



LABEL PRINTING



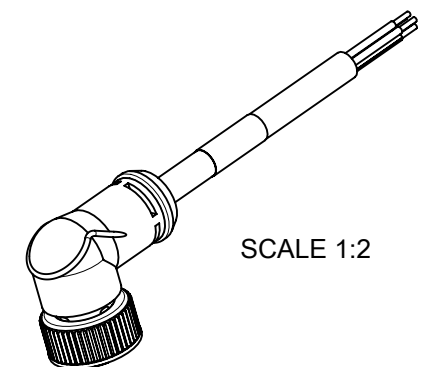
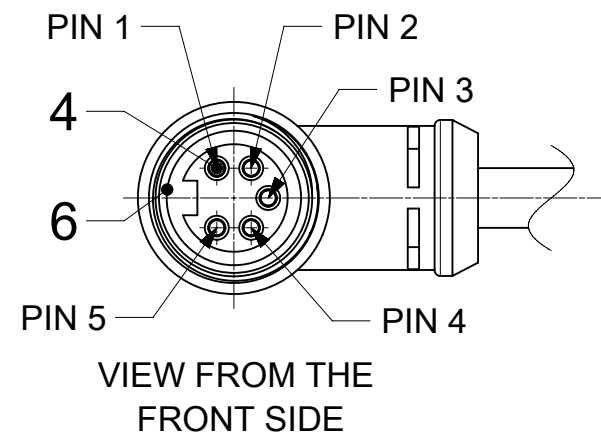
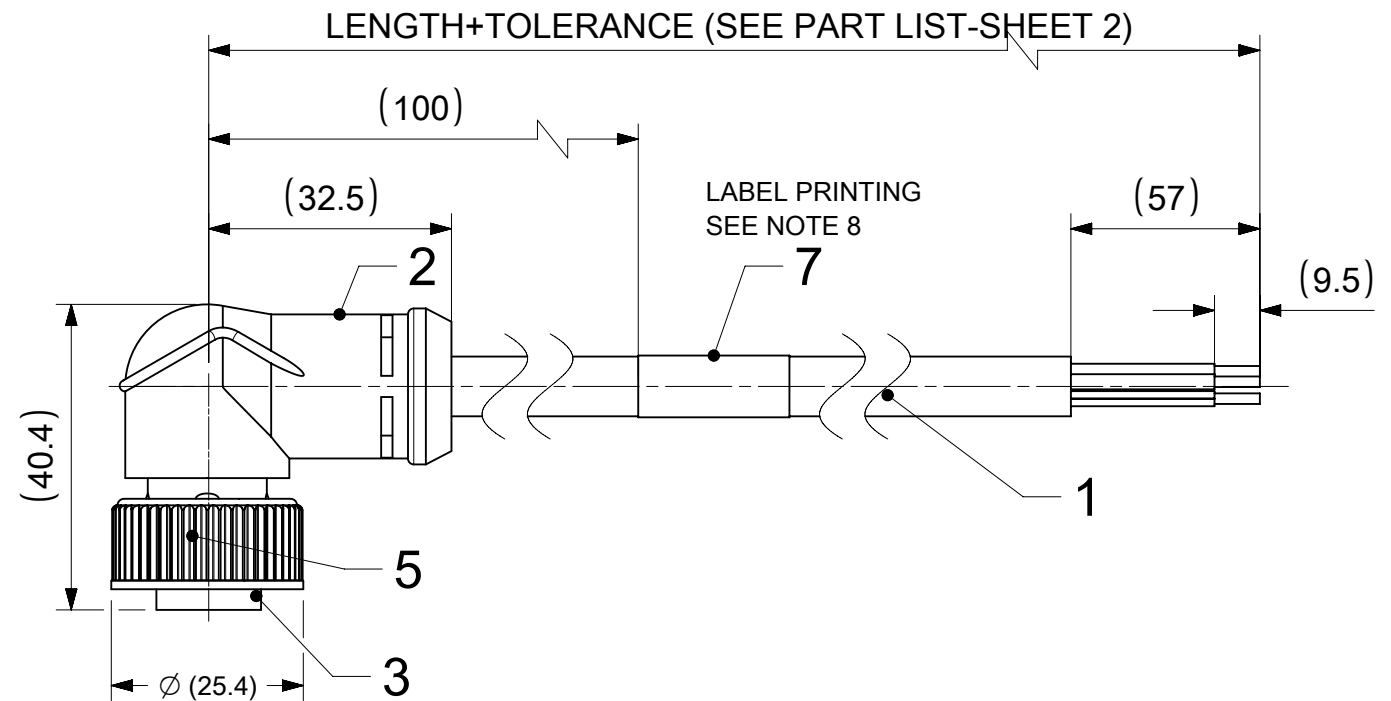
ENGINEERING NO.
MOLEX PN

PO NO.
PRODUCT. DATE

CERTIFICATION SYMBOLS

NOTES:

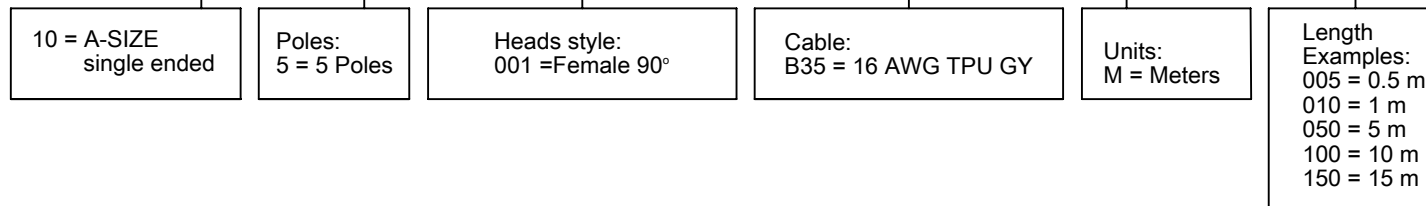
1. MATERIAL: AS NOTED
2. FINISH: AS NOTED
3. ELECTRICAL:
VOLTAGE: 600 V
CURRENT: 10 A
4. TEMPERATURE RATING:
STATIC: -40 °C TO 90 °C
DYNAMIC: -25 °C TO 80 °C
5. PROTECTION: IP67 (WHEN MATED)
6. UL CERTIFICATION: UL LISTED, FILE NO. E152210
7. BOM, PART LIST AND MATRIX - SEE SHEET 2
8. LABEL PRINTING ACC. STANDARD LABEL INSTRUCTION



FUNCTIONAL SYMBOLS	THIS DRAWING CONTAINS INFORMATION THAT IS PROPRIETARY TO MOLEX ELECTRONIC TECHNOLOGIES, LLC AND SHOULD NOT BE USED WITHOUT WRITTEN PERMISSION		CURRENT REV DESC: NOTES UPDATED, LABEL PRINTING ADDED			molex		
	DIMENSION UNITS	SCALE						
DIVISIONAL SYMBOLS	mm	1:1	GENERAL TOLERANCES (UNLESS SPECIFIED)			PRODUCT CUSTOMER DRAWING		
	ANGULAR TOL ± 1.0°		4 PLACES ±			DOCUMENT NUMBER		
	3 PLACES ±		3 PLACES ±			DOC TYPE		
	2 PLACES ± 0.05		2 PLACES ± 0.05			DOC PART		
	1 PLACE ± 0.3		1 PLACE ± 0.3			REVISION		
0 PLACES ± 0.5		0 PLACES ± 0.5			SD-130006-051			
DRAFT WHERE APPLICABLE MUST REMAIN WITHIN DIMENSIONS		THIRD ANGLE PROJECTION	DRAWING	SERIES	MATERIAL NUMBER	CUSTOMER	SHEET NUMBER	
			A3-SIZE	130006	SEE SHEET 2	GENERAL MARKET	1 OF 2	

PART No. MATRIX

1 0 5 0 0 1 B 3 5 M X X X



PART LIST

MOLEX PN	ENGINEERING NO.	L + Tol. [mm]
1300068174	105001B35M020	2000 + 89
1300068175	105001B35M050	5000 + 165
1300068176	105001B35M100	10000 + 317
1300068177	105001B35M200	20000 + 610
1300068178	105001B35M300	30000 + 610
1300068274	105001B35M010	1000 +56

BILL OF MATERIAL

ITEM	QTY	DESCRIPTION	MATERIAL	FINISH/COLOR
7	1	LABEL	VINYL	YELLOW
6	1	FRICTION RING	NYLON	-
5	1	COUPLINGNUT	ZINC DIE-CAST	BLACK E-COAT
4	5	FEMALE CONTACT	Cu ALLOY	GOLD OVER NICKEL
3	1	INSERT	PUR	BLACK
2	-	OVERMOLD	TPE	BLACK
1	-	CABLE 16AWG OD=8.5mm	TPU	GRAY
ITEM	QTY	DESCRIPTION	MATERIAL	FINISH/COLOR

DOCUMENT STATUS	P1	RELEASE DATE	2023/04/27	12:11:50
-----------------	----	--------------	------------	----------

FUNCTIONAL SYMBOLS $\nabla/A = 0$ $\nabla/E = 0$ $\nabla/P = 0$	THIS DRAWING CONTAINS INFORMATION THAT IS PROPRIETARY TO MOLEX ELECTRONIC TECHNOLOGIES, LLC AND SHOULD NOT BE USED WITHOUT WRITTEN PERMISSION		CURRENT REV DESC: NOTES UPDATED, LABEL PRINTING ADDED				
	DIMENSION UNITS	SCALE	 CSE MC 5P A-SIZE FE RA XM PUR SE PRODUCT CUSTOMER DRAWING				
	mm	1:1					
	GENERAL TOLERANCES (UNLESS SPECIFIED)						
ANGULAR TOL ± 1.0°							
DIVISIONAL SYMBOLS	4 PLACES ±	EC NO: 747270		DRWN: RSTONE 2013/12/09 APPR: JFMURPHY 2013/12/16			
	3 PLACES ±	DRWN: RSCHIEBER 2023/04/20					
	2 PLACES ± 0.05	CHK'D: RSILLER 2023/04/27					
	1 PLACE ± 0.3	APPR: RSILLER 2023/04/27					
0 PLACES ± 0.5	INITIAL REVISION:		DOCUMENT NUMBER	DOC TYPE	DOC PART	REVISION	
DRAFT WHERE APPLICABLE MUST REMAIN WITHIN DIMENSIONS		THIRD ANGLE PROJECTION	DRAWING	SERIES	MATERIAL NUMBER	CUSTOMER	SHEET NUMBER
			A3-SIZE	130006	SD-130006-051	GENERAL MARKET	PSD 001 A4
					SEE SHEET 2		2 OF 2