

7

6

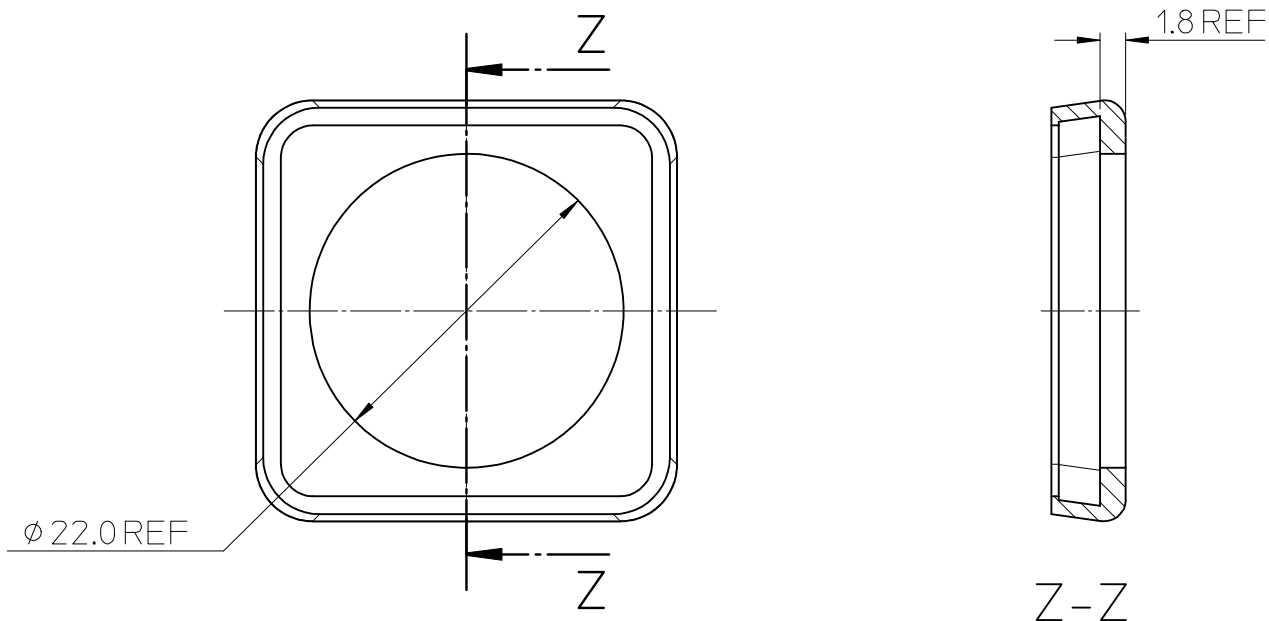
5

4

3

2

1



NOTES:

- 1. MATERIAL: SILICONE
COLOUR: WHITE
- 2. PACKAGING SPEC: PK-121129-001
100 PIECES IN A PLASTIC BAG
- 3. mPm NO: 3011-04

ORIGINAL RELEASE EC NO: IPG2013-1176 DRWN: DSHEA 2013/01/31 CHKD: SMCGREEVY 2013/02/19 APPR: STGRIFFIN 2013/02/28	DESCRIPTION REV	QUALITY SYMBOLS	GENERAL TOLERANCES (UNLESS SPECIFIED)		DIMENSION STYLE MM ONLY		SCALE 2:1	DESIGN UNITS METRIC	THIRD ANGLE PROJECTION	
		$\nabla = 0$ $\sphericalangle = 0$	mm	INCH	DRAWN BY DSHEA	DATE 2013/01/31	TITLE G11 SILICONE PROFILE GASKET 100 PIECES/BAG			
		4 PLACES \pm ---	\pm ---	CHECKED BY SMCGREEVY	DATE 2013/02/19					
			2 PLACES ± 0.10	\pm ---	APPROVED BY STGRIFFIN	DATE 2013/02/28	molex DOCUMENT NO. SD-121129-081 SHEET NO. 1 OF 1			
			1 PLACE ± 0.20	\pm ---	MATERIAL NO. 1211290081					
	0 PLACE \pm ---	\pm ---	DRAFT WHERE APPLICABLE MUST REMAIN WITHIN DIMENSIONS		THIS DRAWING CONTAINS INFORMATION THAT IS PROPRIETARY TO MOLEX INCORPORATED AND SHOULD NOT BE USED WITHOUT WRITTEN PERMISSION					

6

5

4

3

2

1