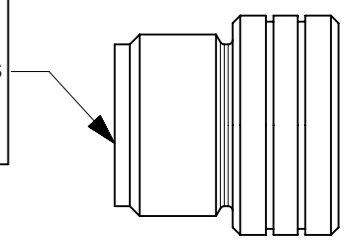
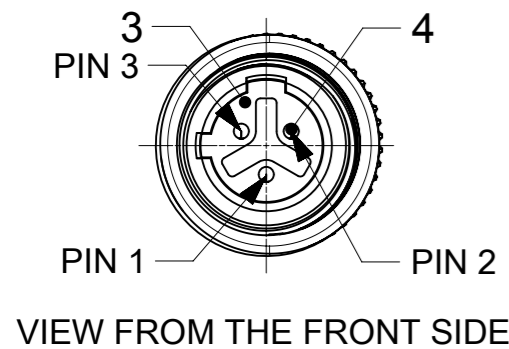
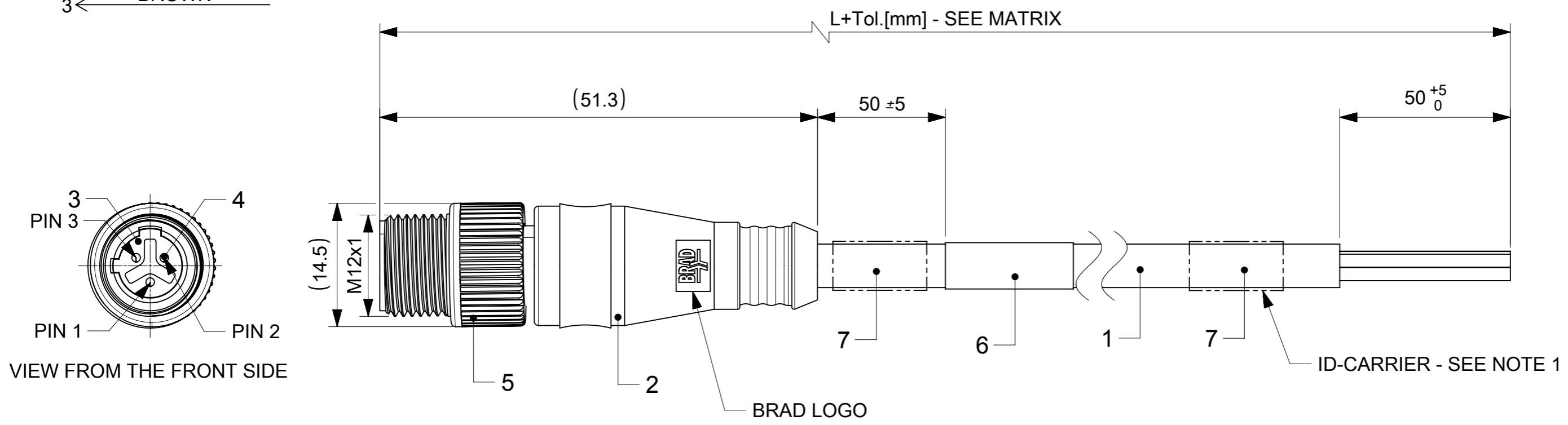


PART No MATRIX

9	0	3	0	0	6	X	X	X	M	*	*	*	*	*
9 = M12 SINGLE ENDED 2xKEYWAY	0=Portable	POLES: 3 = 3 POLES	HEADER: 006 = MALE STRAIGHT			CABLE: E11 = PVC, 3x0,34mm ² , YELLOW I12 = PVC, 3x0,50mm ² , GREY I14 = PVC, 3x1,00mm ² , GREY D02 = PVC, 3x1,20mm ² , YELLOW			UNIT: M = METER	LENGTH: EXAMPLE: 010 = 1 m 050 = 5 m 100 = 10 m			COUPLIN NUT: BLANK = NYLON 3 = NICKEL PLATED BRASS OVERMOULD: BLANK = YELLOW	



WIRING DIAGRAM
GREEN/YELLOW
1 ←
BLUE
2 ←
BROWN
3 ←



BILL OF MATERIAL

ITEM	QTY	DESCRIPTION	MATERIAL	FINISH/COLOR
7	2	ID CARRIER	PVC	-
6	1	LABEL WRAP	VINYL	YELLOW
5	1	COUPLING NUT MALE M12	ELECTROPHORETIC	BLACK
4	3	CONTACT 10 MA	BRONZE	GOLD OVER NICKEL PLATED
3	1	INSERT 3P MALE	NYLON	BLACK
2	-	MOULDING MATERIAL	POLYVINYL	YELLOW
1	-	CABLE 3X0.34MM	SEE CABLE INFORMATION - SHEET 2	

NOTES:

- FOR CABLES "lxx" - ID-CARRIES ON THE BOTH SIDES OF HARNESS
- FOR CABLES "lxx" PRINGING - ENGINEERING No

SYMBOLS		THIS DRAWING CONTAINS INFORMATION THAT IS PROPRIETARY TO MOLEX ELECTRONIC TECHNOLOGIES, LLC AND SHOULD NOT BE USED WITHOUT WRITTEN PERMISSION	
▽ = 0	mm	SCALE	2:1
▽ = 0	GENERAL TOLERANCES (UNLESS SPECIFIED)		
▽ = 0	ANGULAR TOL	±	'
▽ = 0	4 PLACES	±	
▽ = 0	3 PLACES	±	
▽ = 0	2 PLACES	±	
▽ = 0	1 PLACE	±	
▽ = 0	0 PLACES	±	
■ = 0	DRAFT WHERE APPLICABLE MUST REMAIN WITHIN DIMENSIONS		
▽ = 0	THIRD ANGLE PROJECTION	DRAWING	A3-SIZE
CURRENT REV DESC:		SERIES	120072
EC NO: 605237		MATERIAL NUMBER	SEE SHEET 2
DRWN: MKOWALCZYK01 2018/10/01		CUSTOMER	GENERAL MARKET
CHK'D: MIWASIECZKO 2018/10/01		DOCUMENT NUMBER	1200728076
APPR: MIWASIECZKO 2018/10/01		DOC TYPE	PSD
INITIAL REVISION:		DOC PART	000
DRWN: MKOWALCZYK01 2018/09/27		REVISION	A1
APPR: MIWASIECZKO 2018/10/01		SHEET NUMBER	
		1 OF 2	

CABLE INFORMATION (for more information see Cable Data Sheet).

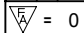
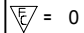
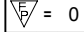
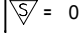
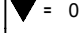
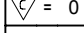
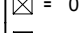

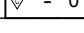

CABLE TYPE	NO. OF WIRES	CROSS SECTION	CABLE JACKET	UL	CSA	STATIC: TEMP. / BENDING RADIUS	DYNAMIC: TEMP. / BENDING RADIUS	DRAG CHAIN	SHIELD
E11	3	0.34mm ²	PVC YELLOW	-	-	-15°C to +70°C	-5°C to +70°C	-	-
I12	3	0.5mm ²	PVC GREY	-	-	-25°C to +70°C	-5°C to +70°C	-	-
I14	3	1mm ²	PVC GREY	-	-	-30°C to +70°C	-5°C to +70°C	-	-
D02	3	0.34mm ²	PVC YELLOW	-	-	-	-	-	-

CABLE LENGTH TOLERANCES

OVER	UP TO AND INCLUDING	TOLERANCES
0	305mm	+19mm
305mm	915mm	+45mm
915mm	1830mm	+56mm
1830mm	3660mm	+89mm
3660mm	7320mm	+165mm
7320mm	14640mm	+317mm
14640mm	30500mm	+610mm
30500mm	>	+2% of finished length

PART LIST

MOLEX PN	ENGINEERING NO.	L[mm]
1200130006	903006E11M0205	2000
1200130007	903006E11M0305	3000
1200130013	903006I12M050	5000
1200130016	903006I12M030	3000
1200130028	903006E11M1003	10000
1200130039	903006D02M020	2000
1200728023	903006I14M010	1000
1200728076	903006E11M050	5000
1200728080	903006I12M100	10000
1200728081	903006I14M015	1500
1200728082	903006S26M050	5000

SYMBOLS  = 0  = 0  = 0  = 0  = 0  = 0  = 0  = 0  = 0	THIS DRAWING CONTAINS INFORMATION THAT IS PROPRIETARY TO MOLEX ELECTRONIC TECHNOLOGIES, LLC AND SHOULD NOT BE USED WITHOUT WRITTEN PERMISSION		DIMENSION UNITS: mm		SCALE: 1:1	CURRENT REV DESC:		 MMC-3P-AC-2KW-MM-ST-XM					
	GENERAL TOLERANCES (UNLESS SPECIFIED)		EC NO: 605237		DRWN: MKOWALCZYK01 2018/10/01		DRWN: MKOWALCZYK01 2018/09/27				DOCUMENT NUMBER: 1200728076		DOC TYPE: PSD
	ANGULAR TOL ± °		DRWN: MIWASIECZKO 2018/10/01		APPR: MIWASIECZKO 2018/10/01		INITIAL REVISION:		MATERIAL NUMBER: SEE PART LIST		CUSTOMER: GENERAL MARKET		SHEET NUMBER: 2 OF 2
	4 PLACES ±		APPR: MIWASIECZKO 2018/10/01		DRAFT WHERE APPLICABLE MUST REMAIN WITHIN DIMENSIONS		THIRD ANGLE PROJECTION		DRAWING: A4-SIZE		SERIES: 120072		
	3 PLACES ±												
	2 PLACES ±												
	1 PLACE ±												
	0 PLACES ±												

DOCUMENT STATUS	P1	RELEASE DATE	2018/10/01	12:52:04
-----------------	----	--------------	------------	----------