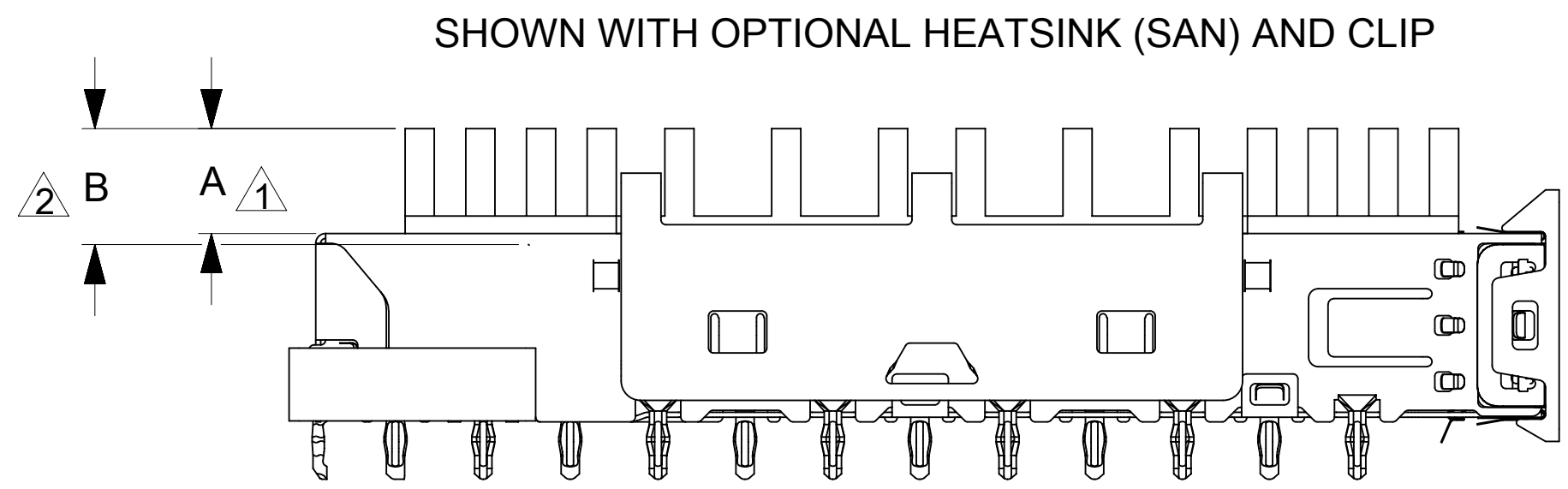
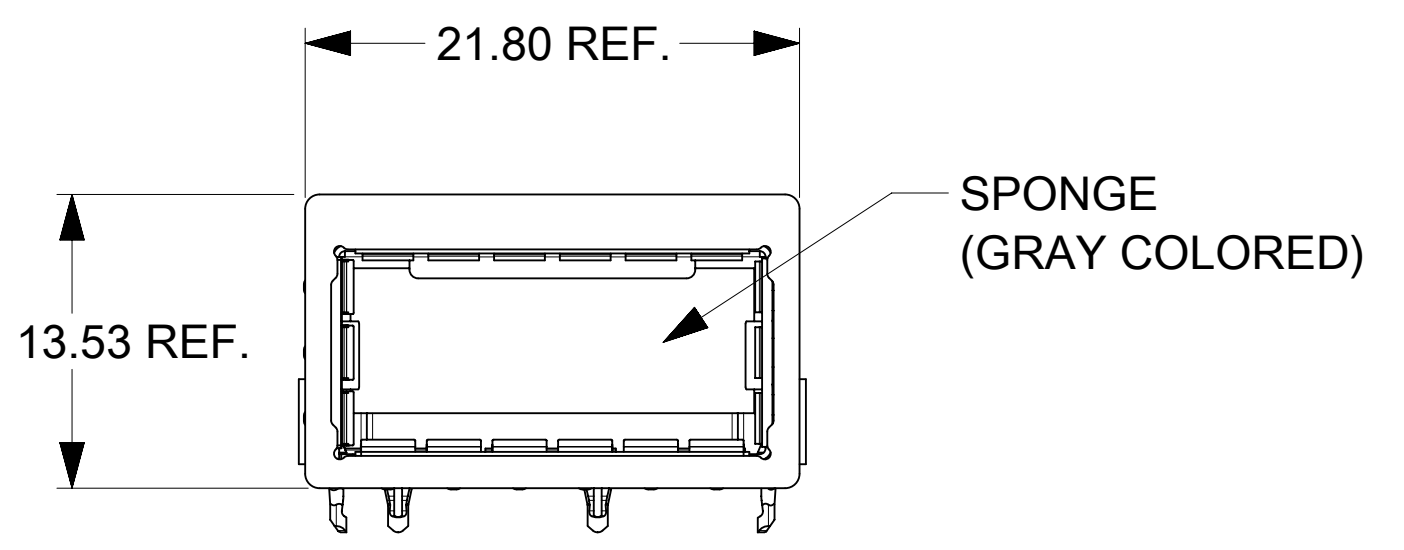


COMPLIANT EMI GASKET (DARK COLORED - GRAY)

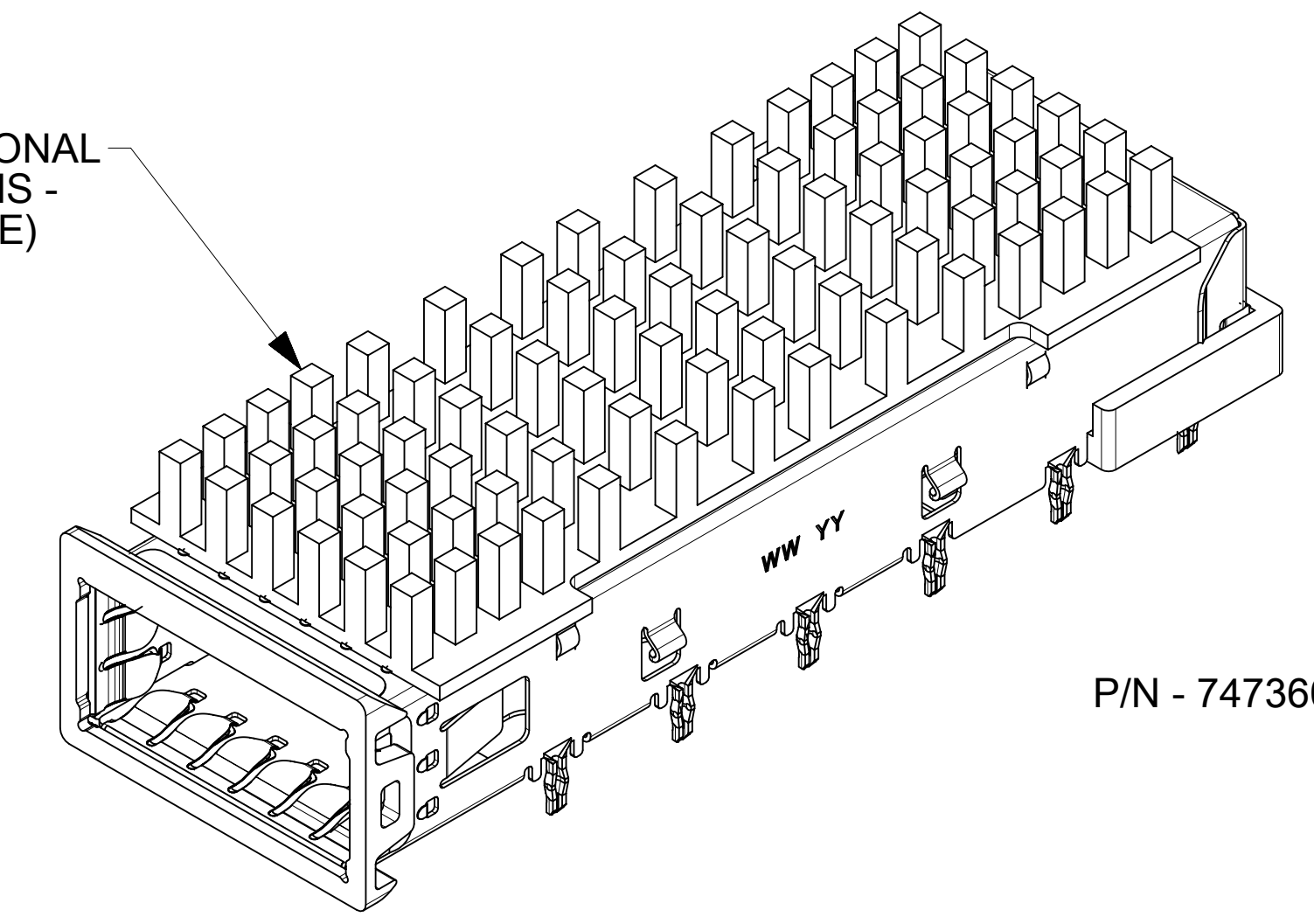


- 1. MAXIMUM HEIGHT OF HEATSINK WITH MODULE INSERTED
- 2. OVERALL HEIGHT OF HEATSINK
- 3. OTHER HEATSINK DESIGNS ARE AVAILABLE INCLUDING CUSTOM DESIGNS

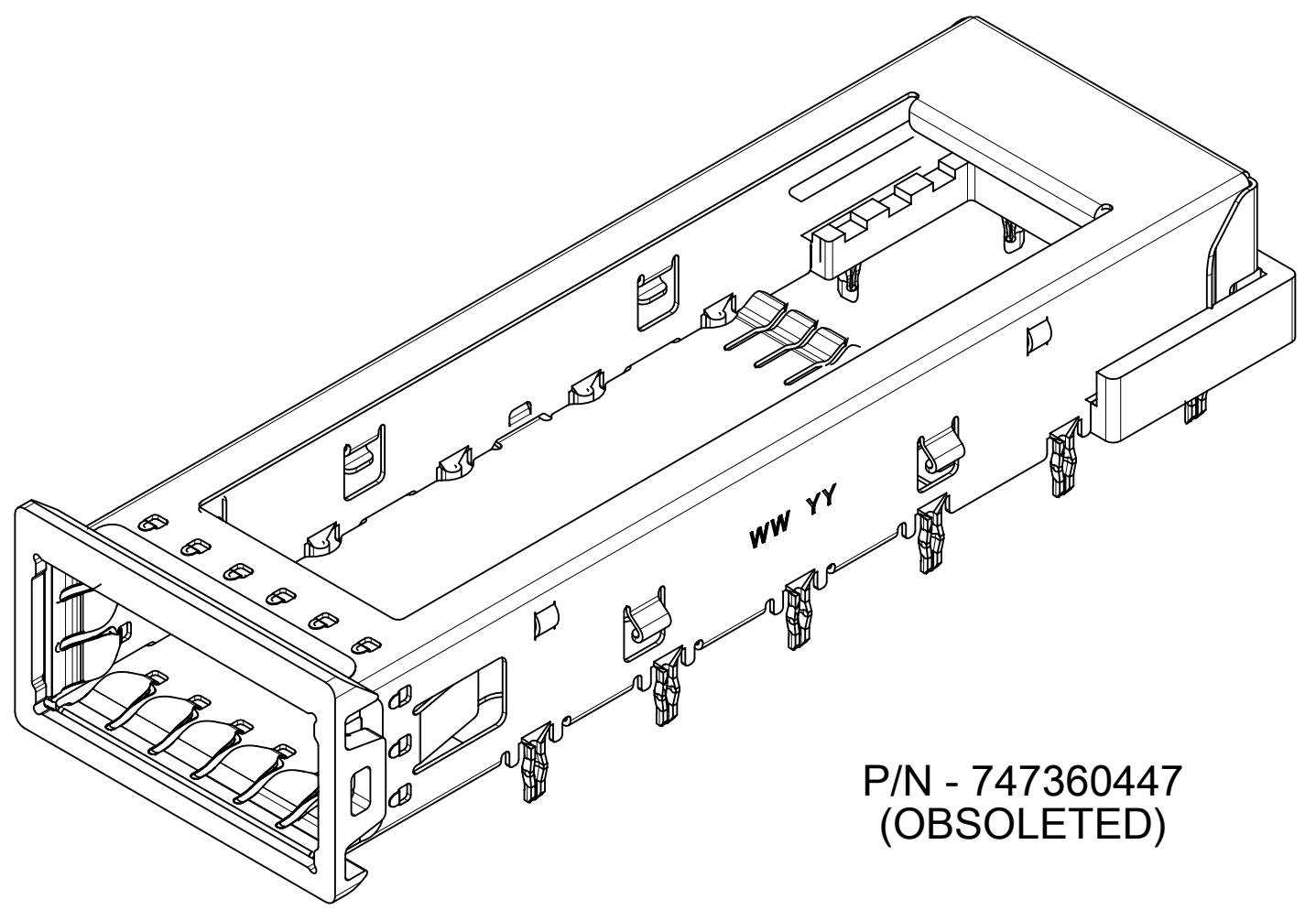
HEATSINK SINK AND CLIP ARE OPTIONAL (SEE CHART FOR HEATSINK OPTIONS - CUSTOM HEATSINKS ARE AVAILABLE)



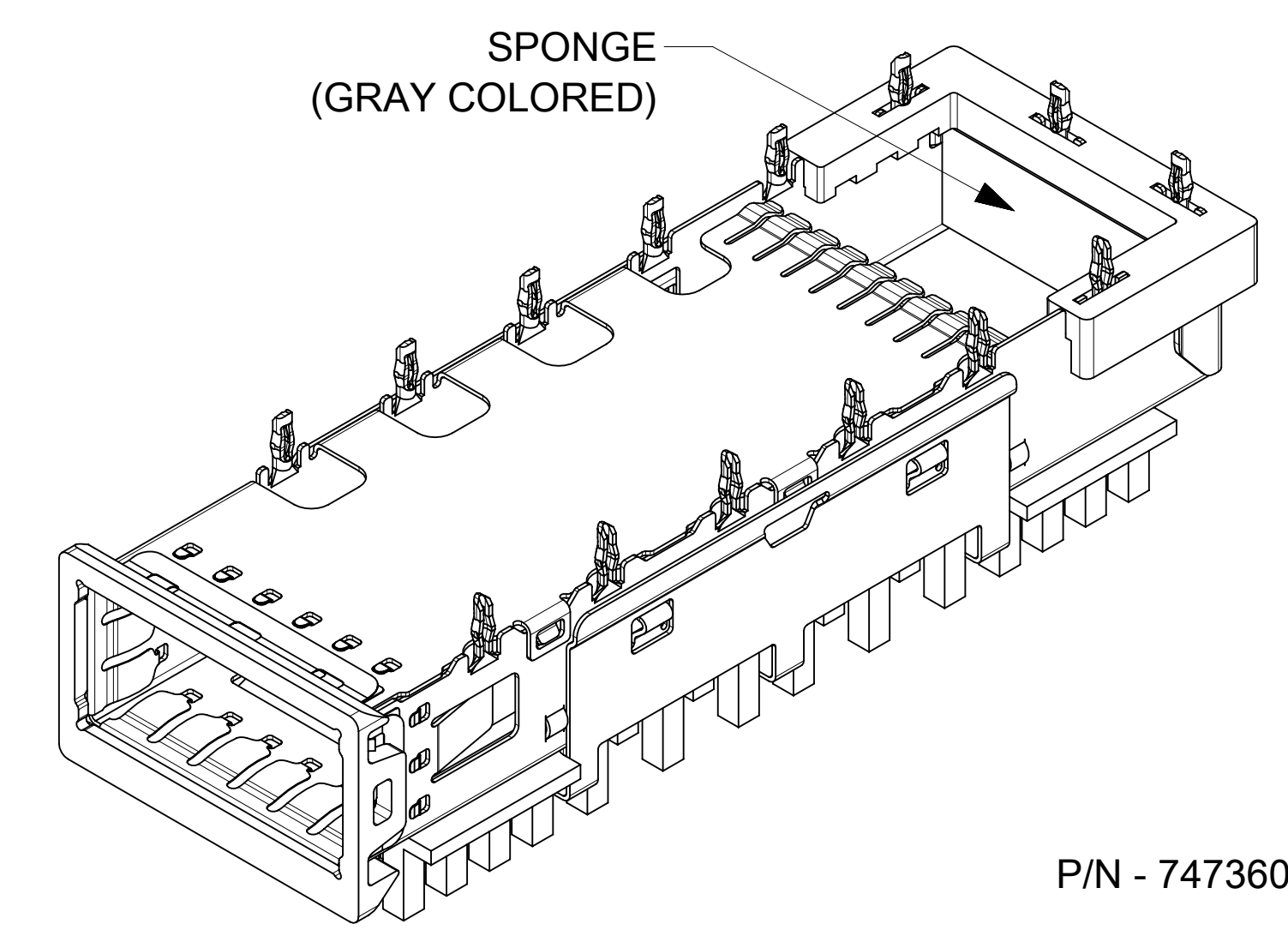
SPONGE (GRAY COLORED)



P/N - 747360449



P/N - 747360447 (OBSOLETE)

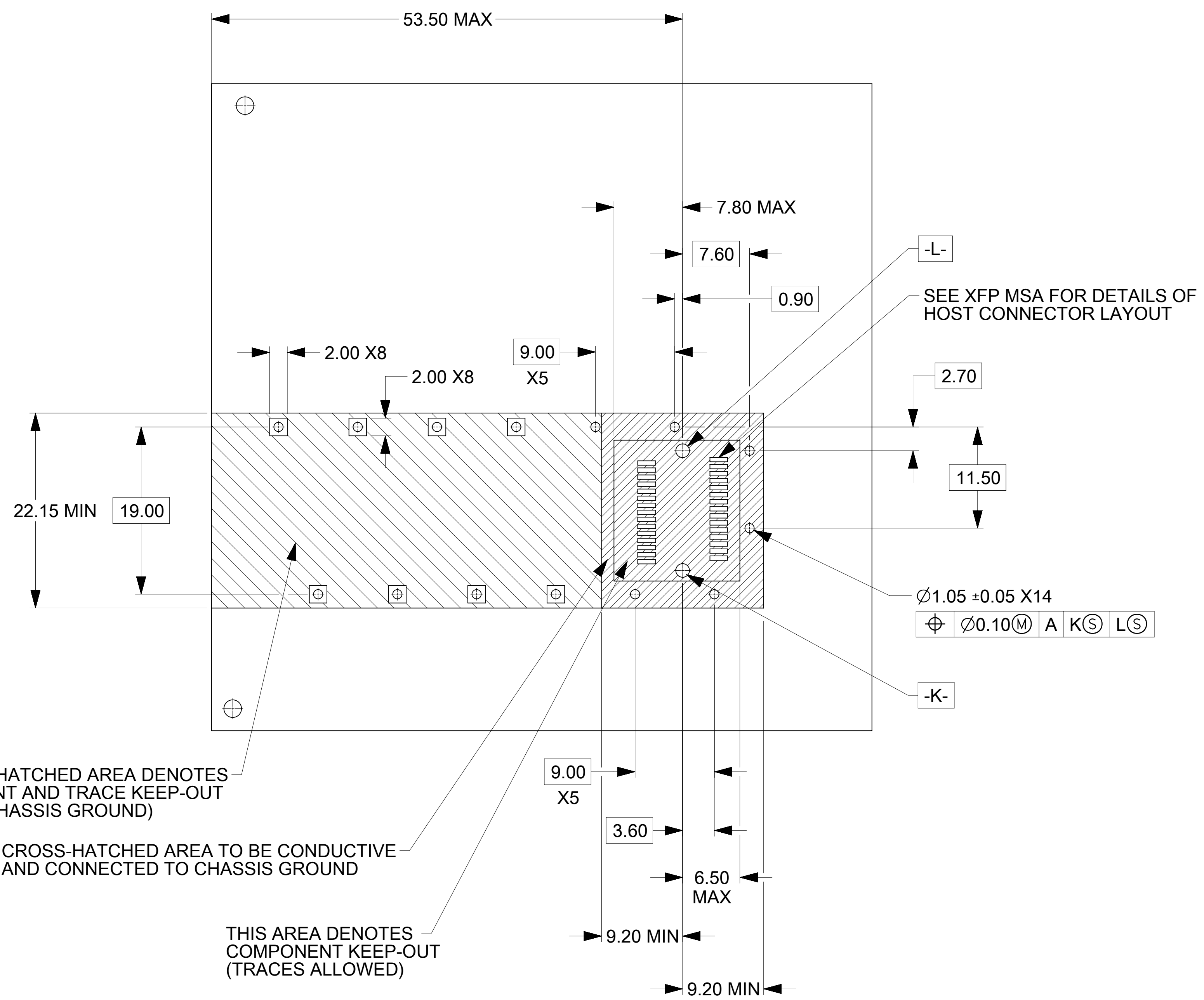


P/N - 747360449

PART NUMBERS FOR XFP CAGE ASSEMBLY & PARTS

P/N	DIM A	DIM B	DESCRIPTION	POWER LEVEL	THERMAL RESISTANCE @200 LFM
747360449	6.3	6.5	XFP CAGE WITH SAN HEATSINK (SHOWN)	UP TO 2.5W	<11.5 C/W
747360450	13.3	13.5	XFP CAGE WITH TALL HEATSINK	UP TO 3.5W	<8.0 C/W
747360230	N/A	N/A	HEATSINK CLIP ONLY	N/A	N/A
747360240	N/A	N/A	PCI HEATSINK ONLY	UP TO 1.5W	<18.0 C/W
747360241	N/A	N/A	SAN HEATSINK ONLY	UP TO 2.5W	<11.5 C/W
747360242	N/A	N/A	TALL HEATSINK ONLY	UP TO 3.5W	<8.0 C/W

FUNCTIONAL SYMBOLS FA = 0 FE = 0 FP = 0	THIS DRAWING CONTAINS INFORMATION THAT IS PROPRIETARY TO MOLEX ELECTRONIC TECHNOLOGIES, LLC AND SHOULD NOT BE USED WITHOUT WRITTEN PERMISSION	CURRENT REV DESC:		<b>molex</b>
	DIMENSION UNITS: mm	SCALE: 3:1	EC NO: 728791	
DIVISIONAL SYMBOLS	GENERAL TOLERANCES (UNLESS SPECIFIED)	MM	INCH	PRODUCT CUSTOMER DRAWING
	4 PLACES ±			DOCUMENT NUMBER
	3 PLACES ±			DOC TYPE
	2 PLACES ± 0.1			DOC PART
	1 PLACE ± 0.25			REVISION
	0 PLACES ±			
	ANGULAR TOL ± 1.0°			
	DRAFT WHERE APPLICABLE MUST REMAIN WITHIN DIMENSIONS	THIRD ANGLE PROJECTION	DRAWING: D-SIZE	SHEET NUMBER
			SERIES: 74736	1 OF 3
			MATERIAL NUMBER: SEE P/N TABLE	
			CUSTOMER: GENERAL MARKET	

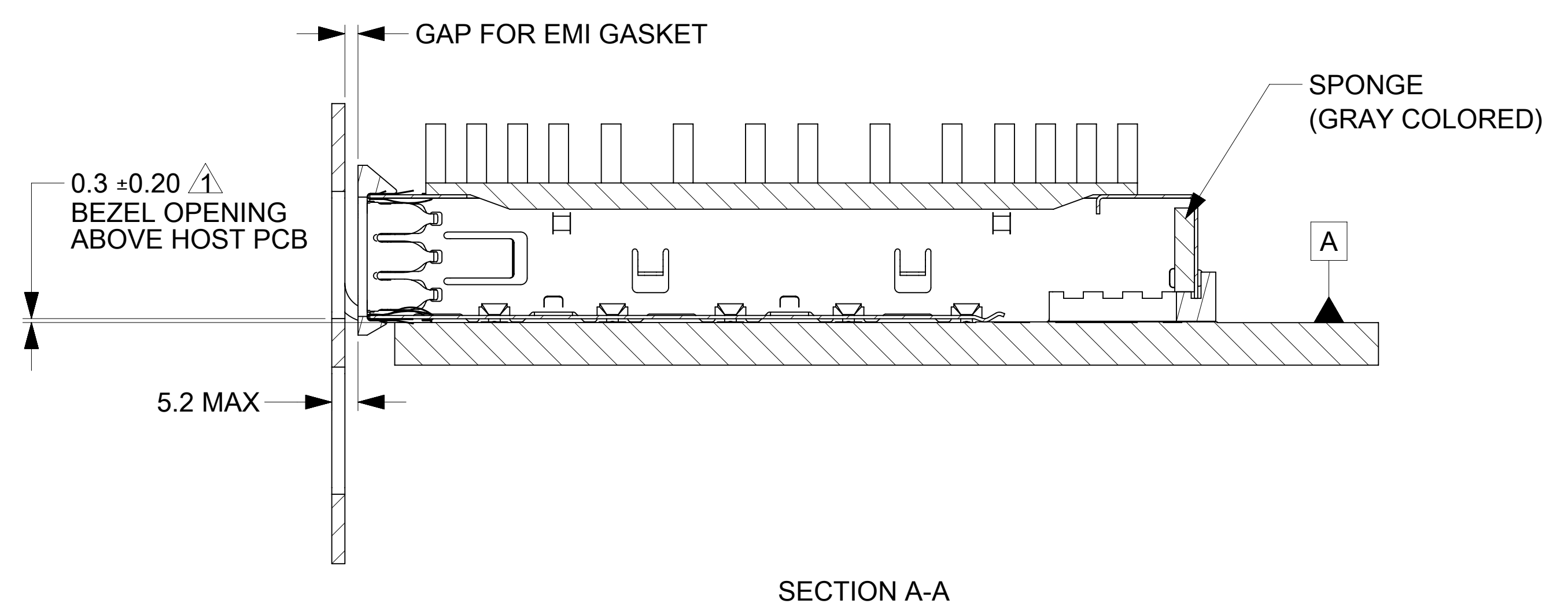
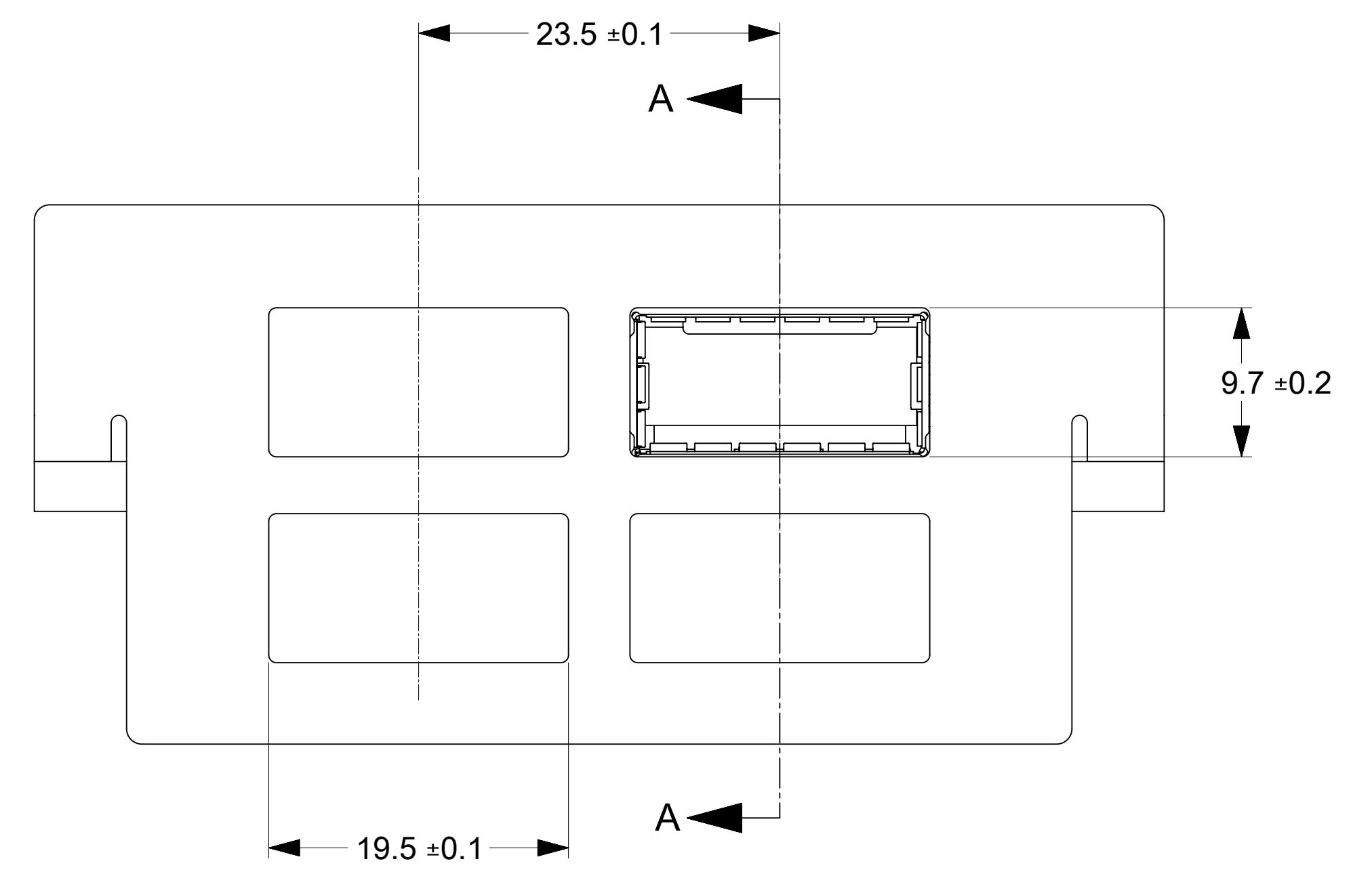


CROSSED-HATCHED AREA DENOTES COMPONENT AND TRACE KEEP-OUT (EXCEPT CHASSIS GROUND)

CROSS-HATCHED AREA TO BE CONDUCTIVE AND CONNECTED TO CHASSIS GROUND

THIS AREA DENOTES COMPONENT KEEP-OUT (TRACES ALLOWED)


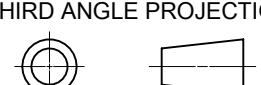
$\triangle$  FOR PCI APPLICATIONS RECOMMENDED DIMENSION IS  $0.4 \pm 0.1$



FUNCTIONAL SYMBOLS	THIS DRAWING CONTAINS INFORMATION THAT IS PROPRIETARY TO MOLEX ELECTRONIC TECHNOLOGIES, LLC AND SHOULD NOT BE USED WITHOUT WRITTEN PERMISSION										
	DIMENSION UNITS		SCALE		CURRENT REV DESC:						
	mm		3:1		EC NO: 728791 DRWN: DKUMARG 2022/11/16 CHK'D: SMALLESHAPPA 2022/11/16 APPR: SCHIEN 2022/11/17						
	GENERAL TOLERANCES (UNLESS SPECIFIED)										
DIVISIONAL SYMBOLS		MM		INCH		INITIAL REVISION:					
4 PLACES ±		±		±		DRWN: CHIRSCHY 2008/09/25					
3 PLACES ±		±		±		APPR: RMAHMOOD 2008/09/26					
2 PLACES ±		0.1		±		DOCUMENT NUMBER					
1 PLACE ±		0.25		±		SD-74736-0448					
0 PLACES ±		±		±		DOC TYPE		DOC PART		REVISION	
ANGULAR TOL ±		1.0°				PSD		001		F3	
DRAFT WHERE APPLICABLE MUST REMAIN WITHIN DIMENSIONS				THIRD ANGLE PROJECTION		DRAWING		SERIES		SHEET NUMBER	
						D-SIZE		74736		2 OF 3	
						MATERIAL NUMBER		CUSTOMER		SEE P/N TABLE GENERAL MARKET	

DOCUMENT STATUS	P1	RELEASE DATE	2022/11/17 01:55:17
-----------------	----	--------------	---------------------

DATE	REV	DESCRIPTION
2008/09/19	A	INITIAL RELEASE
2008/12/15	B	1. ADDED TEXT (DARK COLORED) TO COMPLIANT EMI GASKET NOTE
2010/03/01	C	1. ADDED NOTE TO PAGE 2 - THIS AREA DENOTES COMPONENT KEEP-OUT (TRACES ALLOWED) TO VIEW. 2. REMOVED NOTE 2 FROM PAGE 2.
2010/11/02	D	1.13.53 REF. DIMENSION WAS 12.95 REF. 2. ADD 1 PLACE TOLERANCE OF ±0.25 TO TITLE BLOCK
2013/04/23	E	1. ADDED 747360453.
2019/02/04	F	1. OBSOLETE PART NUMBER 747360448.
2019/12/11	F1	1. OBSOLETE P/N 0747360447 AND 747360453
2021/01/07	F2	SHEET 1: E17: REMOVED THE VIEW OF 747360453. J09 & H05: ADDED A NOTE FOR SPONGE(GRAY COLORED). SHEET 2: G03: ADDED A NOTE FOR SPONGE(GRAY COLORED).
2022/11/16	F3	SHEET 01 : K12 : CORRECTED TYPO OF DIMENSION FROM 12.95 REF TO 13.53 REF FOR THE FG P/N 747360449 AND 747360450.

FUNCTIONAL SYMBOLS FA = 0 FC = 0 FP = 0	THIS DRAWING CONTAINS INFORMATION THAT IS PROPRIETARY TO MOLEX ELECTRONIC TECHNOLOGIES, LLC AND SHOULD NOT BE USED WITHOUT WRITTEN PERMISSION		CURRENT REV DESC:		
	DIMENSION UNITS <b>mm</b>	SCALE <b>1:1</b>	GENERAL TOLERANCES (UNLESS SPECIFIED)		
DIVISIONAL SYMBOLS	4 PLACES ±	MM	INCH	EC NO: 728791	<b>PRODUCT CUSTOMER DRAWING</b> DOCUMENT NUMBER: <b>SD-74736-0448</b>   DOC TYPE: PSD   DOC PART: 001   REVISION: <b>F3</b>
	3 PLACES ±			DRWN: DKUMARG 2022/11/16	
	2 PLACES ± 0.1 ±			CHK'D: SMALLESHAPPA 2022/11/16	
	1 PLACE ± 0.25 ±			APPR: SCHIEN 2022/11/17	
	0 PLACES ±			INITIAL REVISION: DRWN: CHIRSCHY 2008/09/25 APPR: RMAHMOOD 2008/09/26	
	ANGULAR TOL ± 1.0 °	DRAFT WHERE APPLICABLE MUST REMAIN WITHIN DIMENSIONS		 <b>D-SIZE</b>	SERIES: <b>74736</b> MATERIAL NUMBER: SEE P/N TABLE CUSTOMER: GENERAL MARKET SHEET NUMBER: 3 OF 3