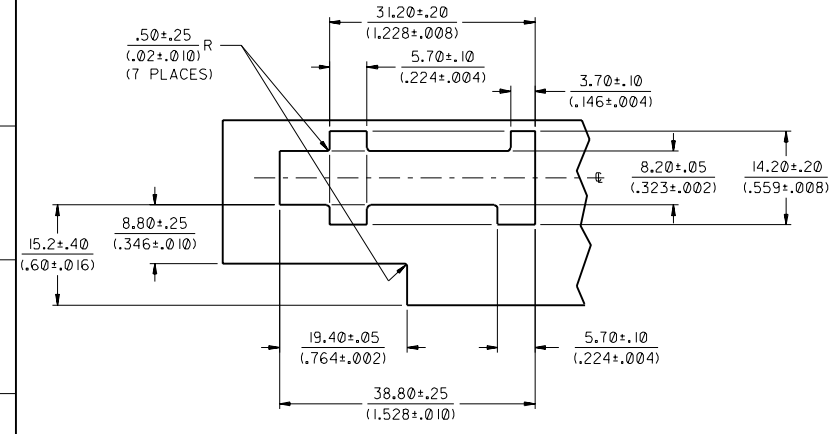
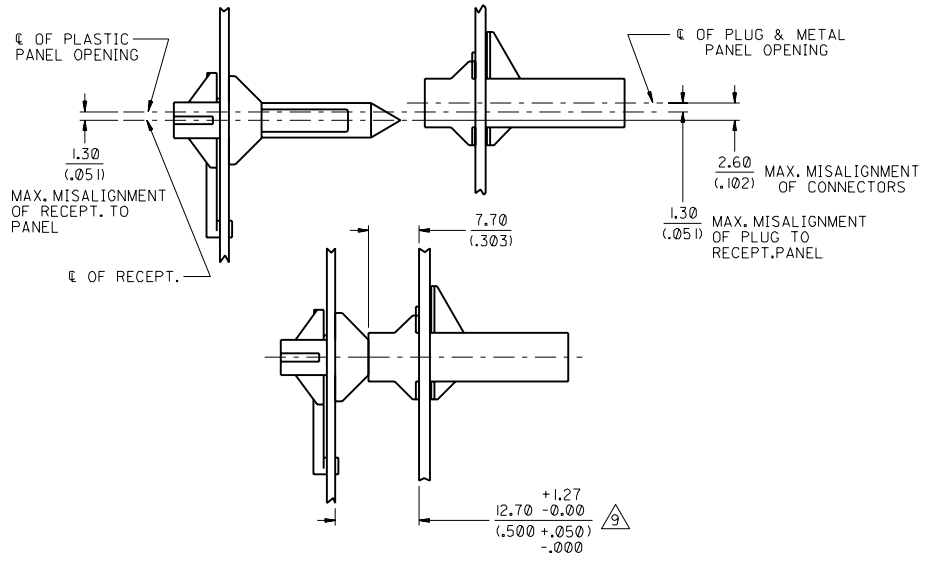
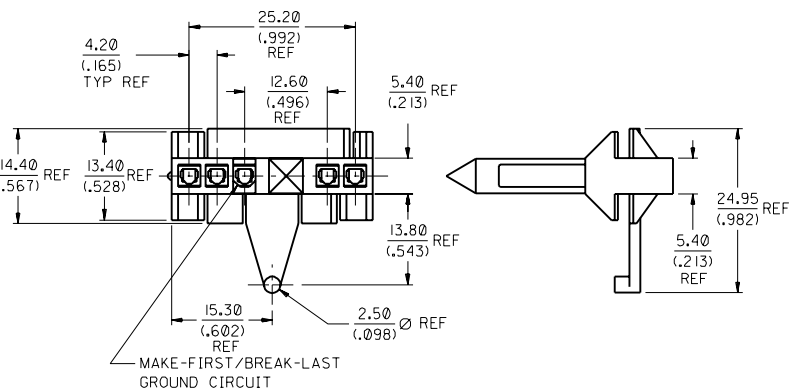
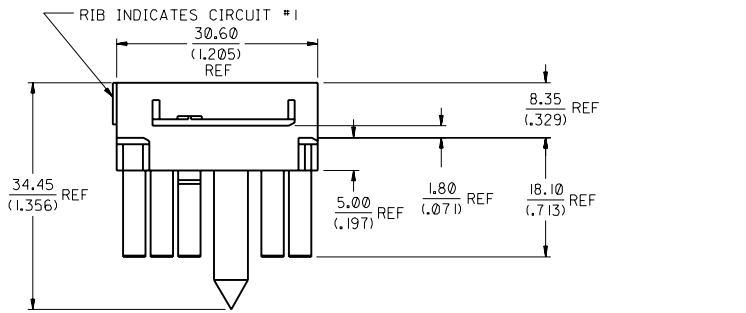


MATERIAL NO.	HOUSING VERSION	PANEL THICKNESS	PANEL TYPE
44156-1001	FLOATING RECEPTACLE	$\frac{1.30 \pm .20}{(.05 \pm .008)}$	MOLDED PLASTIC

NOTES:

1. MATERIAL: HOUSINGS: PBT, UNFILLED, UL 94V-0. COLOR: BLACK.
TERMINAL: HIGH CURRENT COPPER ALLOY.
2. FINISH: OVERALL TIN PLATE.
3. PRODUCT SPEC.: NONE
4. DIMENSIONS GIVEN ACROSS C'S ARE SYMMETRICAL ABOUT THOSE C'S WITHIN THE TOTAL TOLERANCE.
5. THIS RECEPTACLE IS DESIGNED TO BE USED WITH FEMALE TERMINAL 44476-***1*.
6. THIS RECEPTACLE IS DESIGNED TO ALLOW $1.30/(.05)$ FLOAT IN ANY DIRECTION FROM CENTER.
7. THIS RECEPTACLE IS DESIGNED TO MATE WITH PANEL MOUNT PLUG NO. 44157-1001 & -1002.
8. ASSEMBLIES ARE NOT TO BE MATED OR UNMATED WHILE CIRCUITS ARE LIVE.
9. A MAXIMUM TOLERANCE OF $1.20/(.050)$ ALLOWS FOR 2 POINTS OF CONTACT. A MAXIMUM TOLERANCE OF $.51/(.020)$ ALLOWS FOR 4 POINTS OF CONTACT.
10. WIRES MUST BE DRESSED TO ALLOW THE CONNECTOR TO FLOAT FREELY IN THE PANEL.



1. INSERT RECEPT. THRU POLARIZED SLOTS FROM REAR OF PANEL.
2. SLIDE TO LEFT UNTIL PIN ENGAGES SLOT IN PANEL.

PANEL MOUNTING INSTRUCTIONS

PANEL OPENING: FROM OUTSIDE THE BOX
RECOMMENDED PANEL THICKNESS: SEE TABLE

RELEASED EC NO. UCR2000-0269 DRWNG: COMERC1 99/10/19 CHK'G: COMERC1 99/10/19 APPR: COMERC1 99/10/19	QUALITY SYMBOLS MAJOR CRITICAL	GENERAL TOLERANCES: (UNLESS SPECIFIED)		SCALE 2 : 1	DESIGN UNITS <input checked="" type="checkbox"/> mm <input type="checkbox"/> INCH	DIMENSIONS: <input checked="" type="checkbox"/> mm <input type="checkbox"/> INCH <input type="checkbox"/> mm ONLY	SHT	REV			
		4 PLACES ±0.--- ±.---	3 PLACES ±0.--- ±.---	2 PLACES ±0.--- ±.---	1 PLACE ±0.--- ±.---	ANGULAR: ± -- °	DRAWN BY & DATE COMERC1 99/10/19		TITLE: B.M.I. FLOATING RECEPT., 5.0/(.197) MIN. I.E.C. SPEC. MINI-FIT JR. SERIES		
		DRAFT WHERE APPLICABLE MUST REMAIN WITHIN DIMENSIONS		THIS DRAWING CONTAINS INFORMATION THAT IS PROPRIETARY TO MOLEX INCORPORATED AND SHOULD NOT BE USED WITHOUT WRITTEN PERMISSION.		APPROVED BY & DATE COMERC1 99/10/19		MATERIAL NO. SEE CHART		DRAWING NO. SD-44156-002	
		REV		CAD FILENAME		MATERIAL NO.		DRAWING NO.		SHEET NO. 1 OF 1	