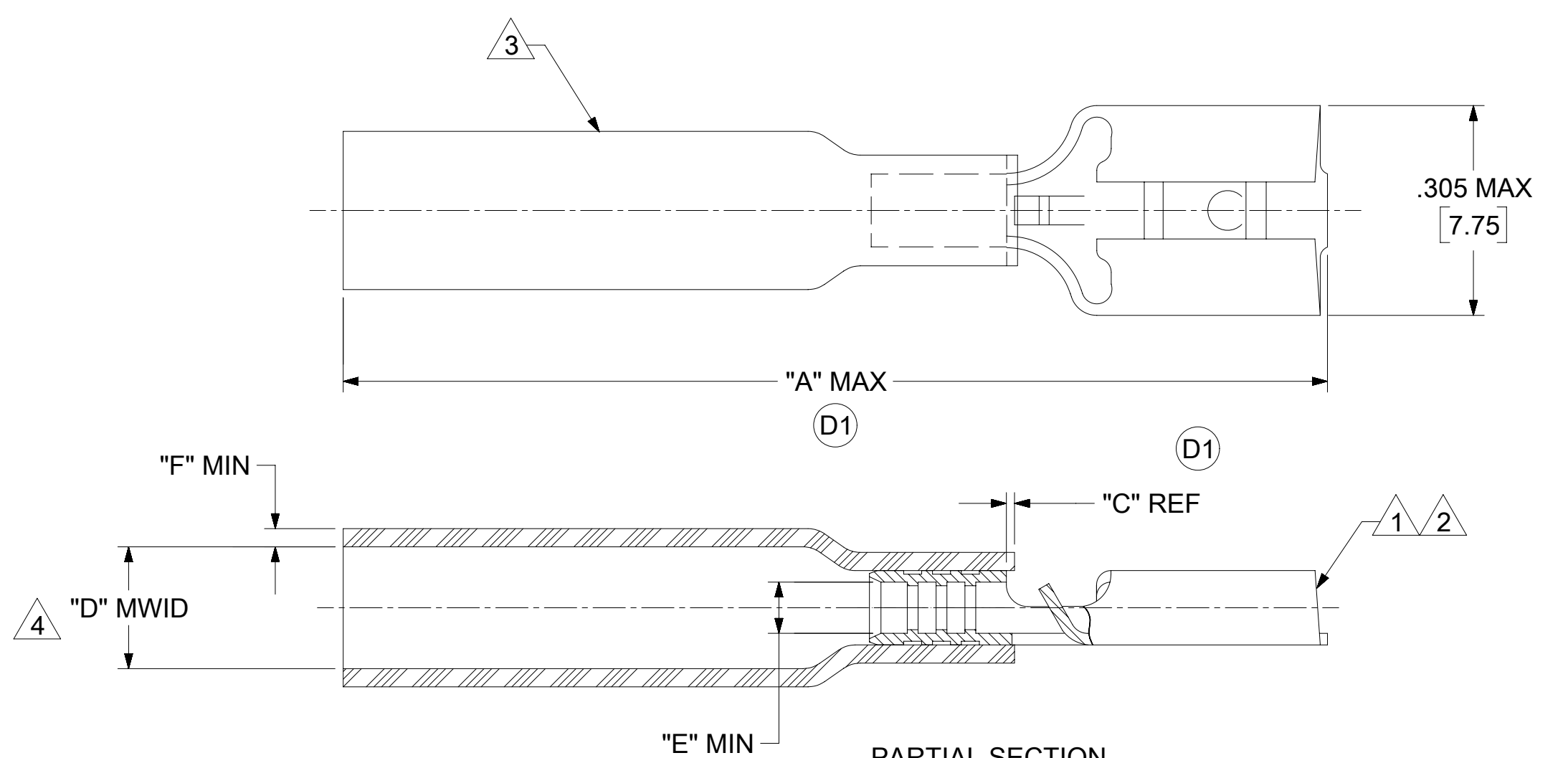


MAT'L NO.	ENG. NO.	WIRE SIZE AWG	FITS MALE TAB	PERMA-SEAL COLOR	STOCK THICKNESS	"A" MAX	"D" ± .010 (0.25)	"E" MIN	"F" MIN	DIM "C" REF
191640012	SAA-2140	22-18	.250 X .032	RED	.016 (0.40)	1.45 (36.8)	.235 (5.97)	.060 (1.52)	.025 (0.64)	.03 (0.8)
191640047	SBB-2141	16-14		BLUE		1.47 (37.3)		.082 (2.08)		.05 (1.3)
191640059	SC-2143	12-10		YELLOW	.018 (0.46)	1.43 (36.3)	.310 (7.62)	.148 (3.76)	.029 (0.74)	.07 (1.8)



- NOTE(S):
- 1 TERMINAL MATERIAL: BRASS  
THICKNESS: SEE CHART.
  - 2 FINISH: ELECTRO-TIN PLATED
  - 3 INSULATION MATERIAL: HEAT SHRINKABLE TUBING  
WITH HOTMELT ADHESIVE INNER LINER.  
COLOR: SEE CHART.
  - 4 MWID = MAXIMUM WIRE INSULATION DIAMETER.

SYMBOLS		THIS DRAWING CONTAINS INFORMATION THAT IS PROPRIETARY TO MOLEX ELECTRONIC TECHNOLOGIES, LLC AND SHOULD NOT BE USED WITHOUT WRITTEN PERMISSION			
DIMENSION UNITS	SCALE	CURRENT REV DESC: ADD OVERHANG DIM			
IN/MM	NTS	<b>molex</b> FEMALE QD PERMA-SEAL .250 X .032 TAB SIZE PRODUCT CUSTOMER DRAWING EC NO: 620694 DRWN: DMYRICK 2019/07/10 CHK'D: JMACNEIL 2019/07/18 APPR: JMACNEIL 2019/07/18 INITIAL REVISION: DRWN: BENDERLE 2003/02/18 APPR: RDEROSS 2003/02/19			
GENERAL TOLERANCES (UNLESS SPECIFIED)					
4 PLACES ±	MM INCH				
3 PLACES ±	± 0.005				
2 PLACES ±	± 0.13 ± 0.01				
1 PLACE ±	± 0.25 ±	DOCUMENT NUMBER	DOC TYPE	DOC PART	REVISION
0 PLACES ±	ANGULAR TOL ± 0.5°	SD-19164-040	PSD	001	D1
■ = 0	DRAFT WHERE APPLICABLE MUST REMAIN WITHIN DIMENSIONS	MATERIAL NUMBER	CUSTOMER	SHEET NUMBER	
▽ = 0	THIRD ANGLE PROJECTION	SEE CHART	GENERAL MARKET	1 OF 1	