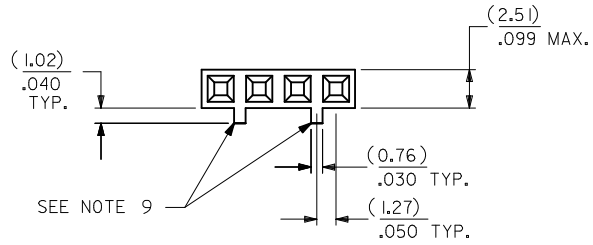


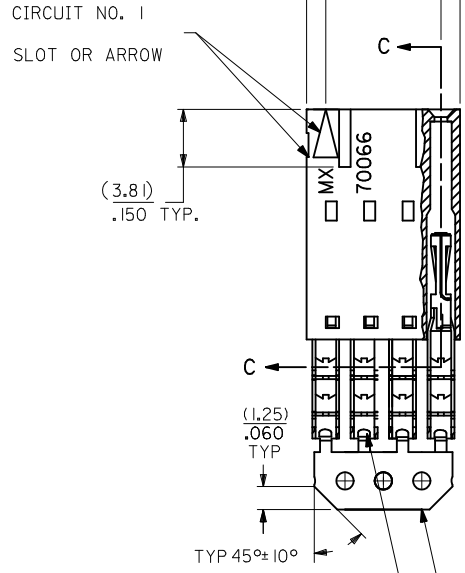
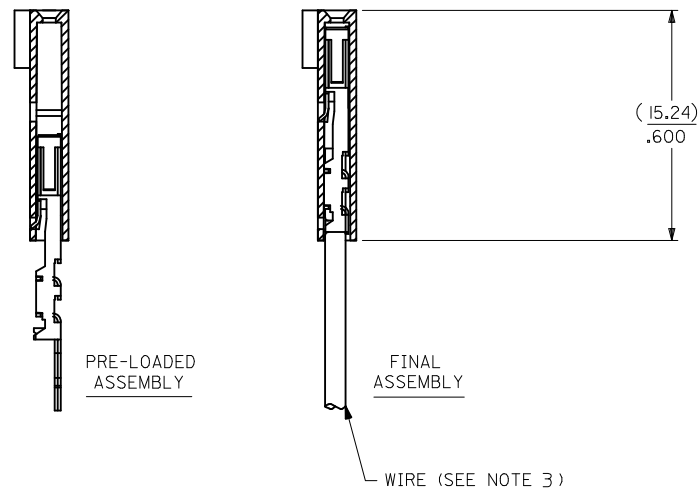
# OPTION C

- NOTES:  
 1. MATERIAL:  
 HOUSING: POLYESTER(PBT), GLASS FILLED, UL94 V-0,  
 COLOR: BLACK  
 TERMINAL: PHOSPHOR BRONZE  
 2. FINISH:  
 30 GOLD: 0.76 MICROMETERS/30 MICROINCHES MINIMUM GOLD IN  
 1.91 MICROMETERS/75 MICROINCHES MINIMUM TIN  
 OVER NICKEL UNDERPLATE OVERALL  
 3. TO BE USED WITH 22 AWG STRANDED WIRE WITH (1.35)/.053  
 DIAMETER MAXIMUM INSULATION  
 4. SEE TABLE FOR AVAILABLE CIRCUIT SIZES  
 5. STANDARD PACKAGING PER PK-70873-0001. OPTIONAL PACKAGING  
 MAY BE AVAILABLE, REQUEST DRAWING PK-70400  
 6. PARTS STACKABLE END TO END ON (2.54)/.100 CENTERS  
 7. PRODUCT SPECIFICATION: PS-70400  
 8. SEE DRAWING SDA-70400-\*\*\*\* (SHEET 3) FOR OPTIONAL  
 HOUSING DETAILS  
 9. 4 CIRCUIT SHOWN. 3-25 CIRCUITS HAVE 2 RIBS  
 10. TO MATE WITH MOLEX PART NUMBERS: A-70374-\*\*\*\*,  
 A-70376-\*\*\*\*, A-70390-\*\*\*\*, A-70392-\*\*\*\*,  
 A-70544-\*\*\*\*, A-70554-\*\*\*\*, A-70542-\*\*\*\*,  
 A-70552-\*\*\*\*, A-70546-\*\*\*\*, A-70556-\*\*\*\*,  
 11. 2 CIRCUIT ASSEMBLIES SUPPLIED AS GROUPED PAIRS

CKT. SIZE	A	B	EDP. NO.
2	( 2.54 ) .100	( 5.05 ) .199	14-56-8020
3	( 5.08 ) .200	( 7.59 ) .299	14-56-8030
4	( 7.62 ) .300	( 10.13 ) .399	14-56-8040
5	( 10.16 ) .400	( 12.67 ) .499	14-56-8050
6	( 12.70 ) .500	( 15.21 ) .599	14-56-8060
7	( 15.24 ) .600	( 17.75 ) .699	14-56-8070
8	( 17.78 ) .700	( 20.29 ) .799	14-56-8080
9	( 20.32 ) .800	( 22.83 ) .899	14-56-8090
10	( 22.86 ) .900	( 25.37 ) .999	14-56-8100
11	( 25.54 ) 1.000	( 27.91 ) 1.099	14-56-8110
12	( 27.94 ) 1.100	( 30.45 ) 1.199	14-56-8120
13	( 30.48 ) 1.200	( 32.99 ) 1.299	14-56-8130
14	( 33.02 ) 1.300	( 35.53 ) 1.399	14-56-8140
15	( 35.56 ) 1.400	( 38.07 ) 1.499	14-56-8150
16	( 38.01 ) 1.500	( 40.61 ) 1.599	14-56-8160
17	( 40.64 ) 1.600	( 43.15 ) 1.699	14-56-8170
18	( 43.18 ) 1.700	( 45.69 ) 1.799	14-56-8180
19	( 45.72 ) 1.800	( 48.23 ) 1.899	14-56-8190
20	( 48.26 ) 1.900	( 50.77 ) 1.999	14-56-8200
21	( 50.80 ) 2.000	( 53.31 ) 2.099	14-56-8210
22	( 53.34 ) 2.100	( 55.85 ) 2.199	14-56-8220
23	( 55.88 ) 2.200	( 58.39 ) 2.299	14-56-8230
24	( 58.42 ) 2.300	( 60.93 ) 2.399	14-56-8240
25	( 60.96 ) 2.400	( 63.47 ) 2.499	14-56-8250



## SECTION C-C



I.D. SLOT CODE TO WIRE GAUGE CHART	
I.D. SLOT CODE	WIRE GAUGE
D	22 AWG.

PLATING CODE (STRIPE ON CARRIER STRIP)	
PLATING	COLOR
30 GOLD	RED

REMOVE ENG NO. EC NO: UCP2011-110 DRW:MSI BARRA 2010/10/19 CHKD:J MORGAN 2010/10/19 APPR:SMILLER 2010/11/24	QUALITY SYMBOLS ▽=0 ▽=0 ▽=0	GENERAL TOLERANCES (UNLESS SPECIFIED)	DIMENSION STYLE MM/IN	SCALE	DESIGN UNITS INCH	THIRD ANGLE PROJECTION
		4 PLACES ± --- ± --- 3 PLACES ± --- ± .010 2 PLACES ± 0.25 ± .014 1 PLACE ± 0.35 ± --- ANGULAR ± 1/2°	DRAWN BY MSI BARRA 2010/10/20 CHECKED BY WAZ 1987/10/26 APPROVED BY SMILLER 2010/11/24	TITLE ASSEMBLY, SL CONNECTOR SINGLE ROW 2.54/.100 GRID	MATERIAL NO. SEE TABLE	
DRAFT WHERE APPLICABLE MUST REMAIN WITHIN DIMENSIONS		THIS DRAWING CONTAINS INFORMATION THAT IS PROPRIETARY TO MOLEX INCORPORATED AND SHOULD NOT BE USED WITHOUT WRITTEN PERMISSION				