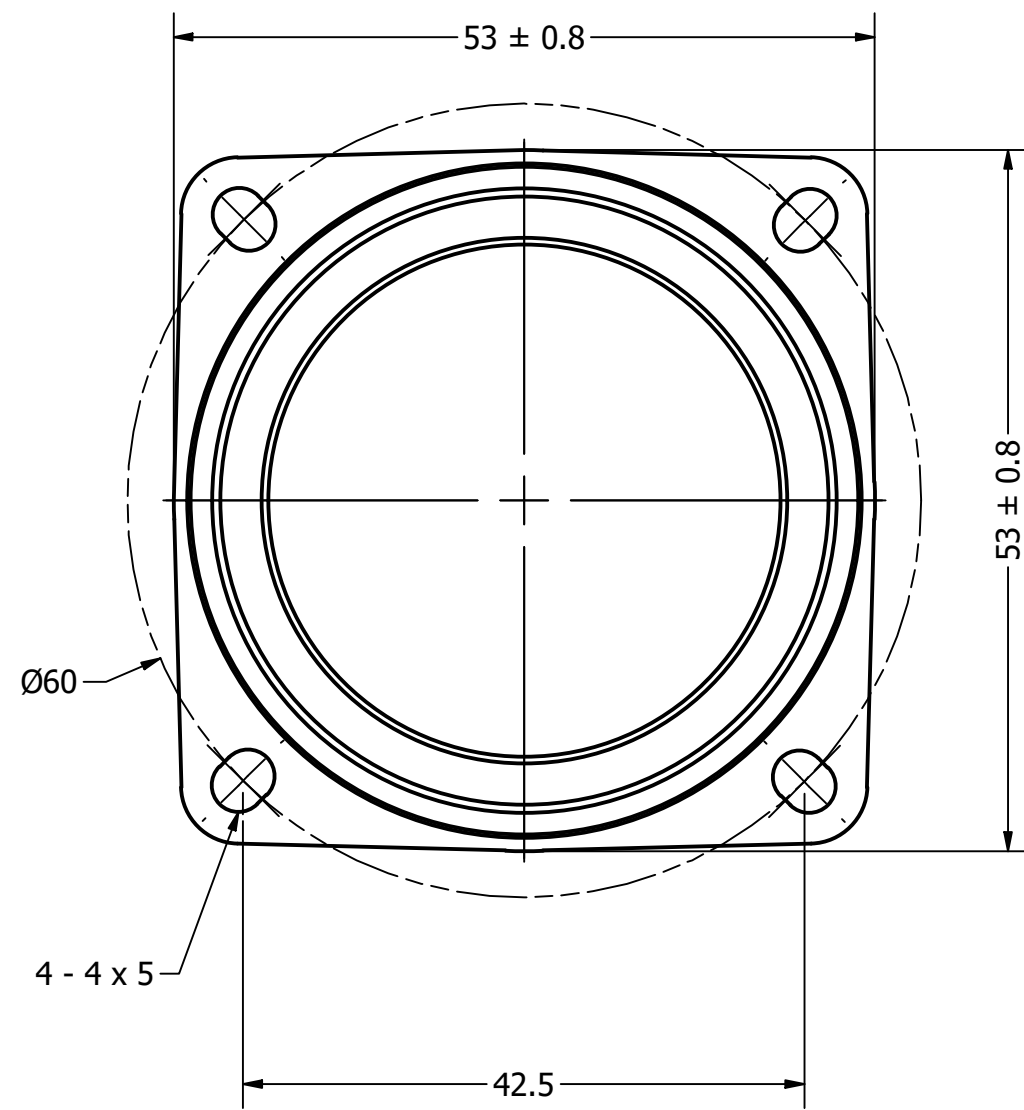


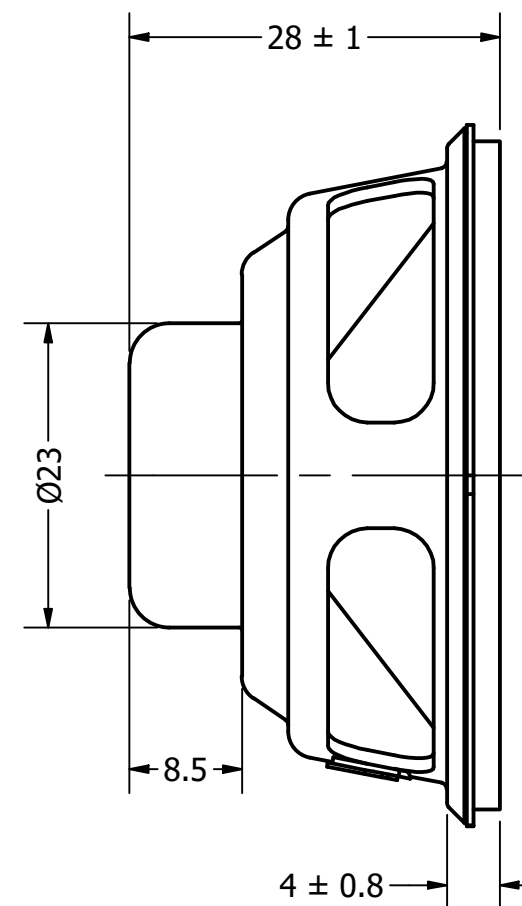
Part Number:	<b>SP530104-2</b>	
DESCRIPTION:	Dynamic Speaker	
DRAWN	CJ	6/14/2017
CHECKED		8/28/2017
P.D.		8/28/2017
APPROVED	C.E.	8/28/2017

This document contains data proprietary to DB Unlimited. Any use or reproduction, in any form, without prior written permission of DB Unlimited is prohibited. All terms and conditions can be found at [www.dbunlimitedco.com](http://www.dbunlimitedco.com)

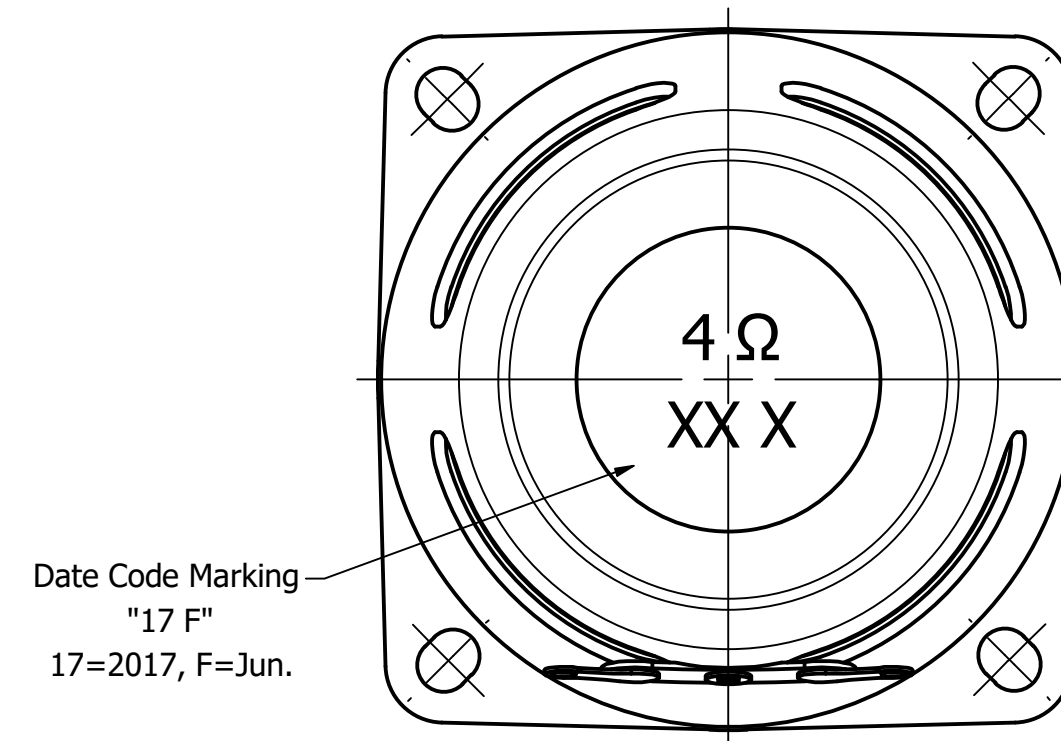
Top View



Side View



Bottom View



Items	Specifications	Conditions
Sound Pressure Level	$101 \pm 3$	dB (@ 10cm)
Resonant Frequency	135	Hz
Frequency Range	135 ~ 20,000	Hz
Nominal Power	5	W
Max. Power	10	W
Impedance	4	$\Omega$
IP Rating	IP54	
Cone Material	Rubber + Paper Cone	
Mount Type	Frame Mount	
Storage Temperature	-20 ~ +60	$^{\circ}\text{C}$
Operating Temperature	-20 ~ +50	$^{\circ}\text{C}$
Weight	30	g

REVISION HISTORY			
REV	DESCRIPTION	DATE	APPROVED
	Released from Engineering	8/28/2017	C.E.
1	Updated diameter and height tolerances	9/23/2019	C.E.

- NOTES
- 1) All dimensions are in mm unless otherwise noted
  - 2) All tolerances are  $\pm 0.5$  mm unless otherwise noted
  - 3) All parts meet RoHS
  - 4) Subject to change or redrawn without notice