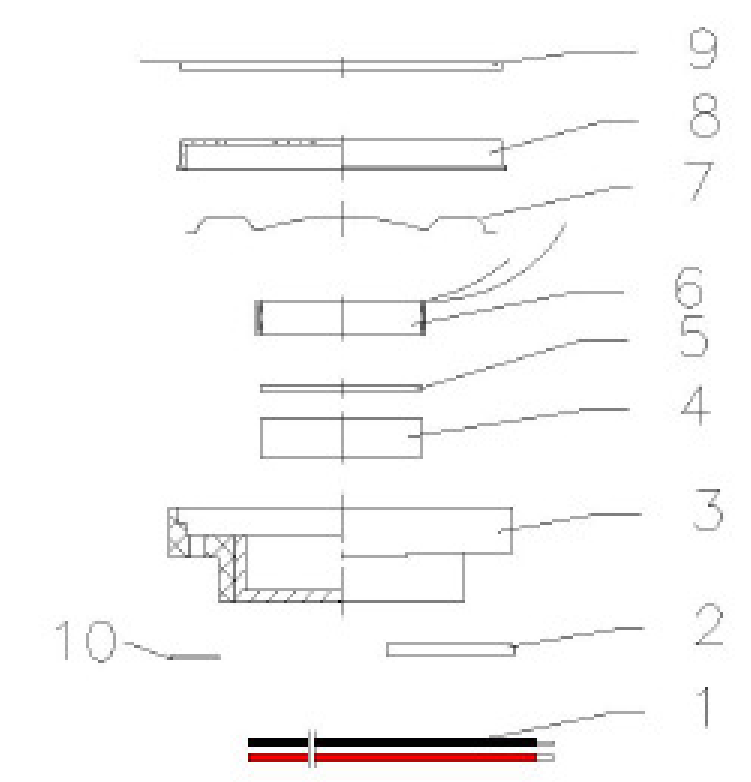
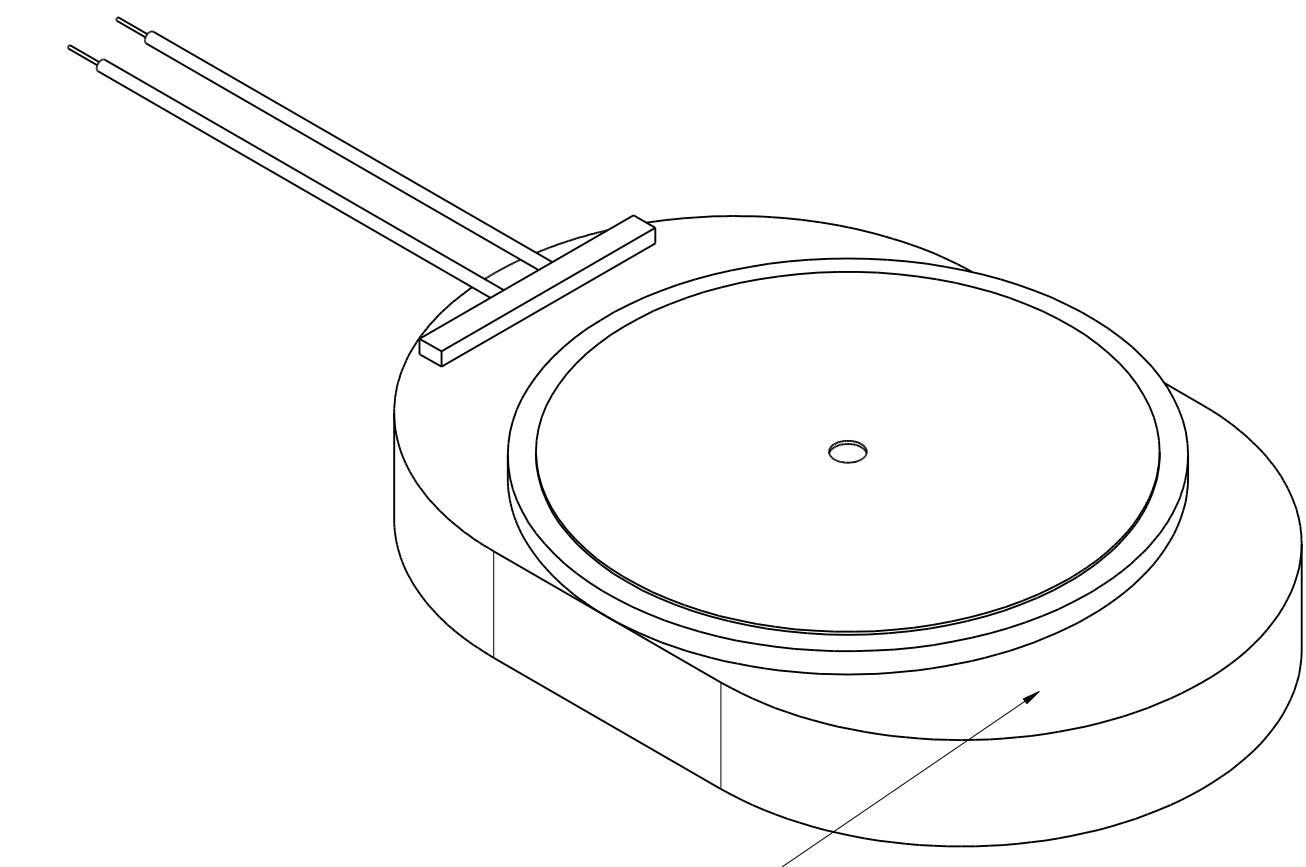
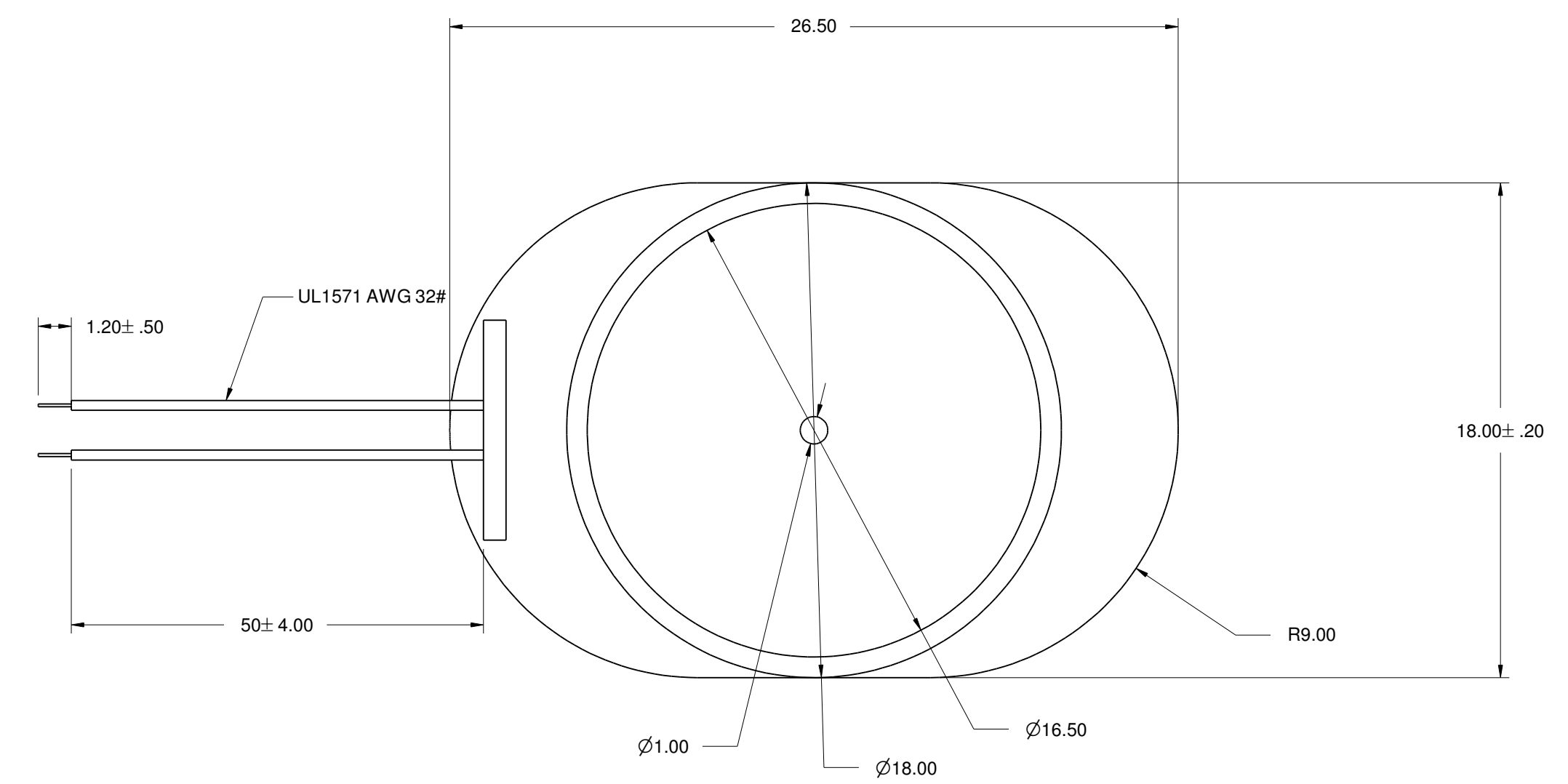


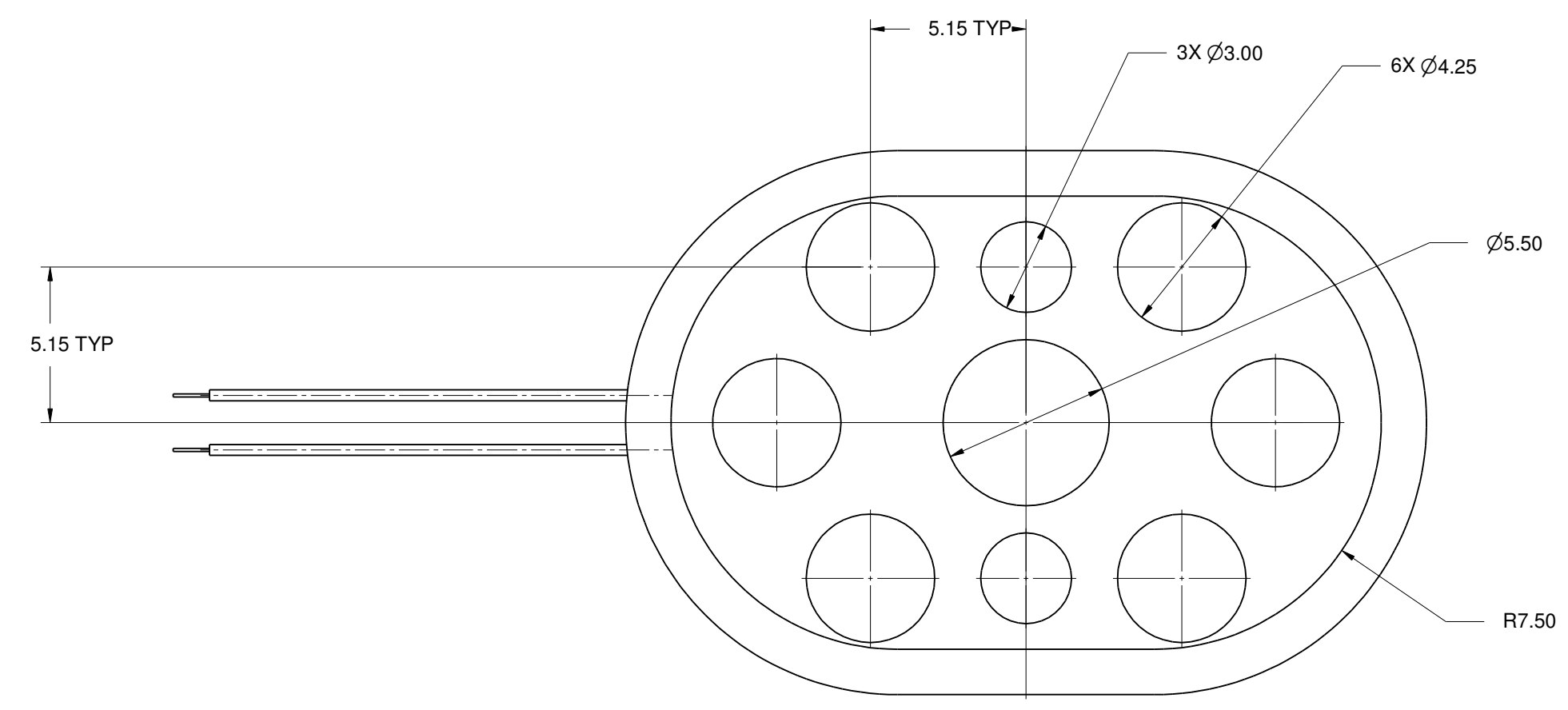
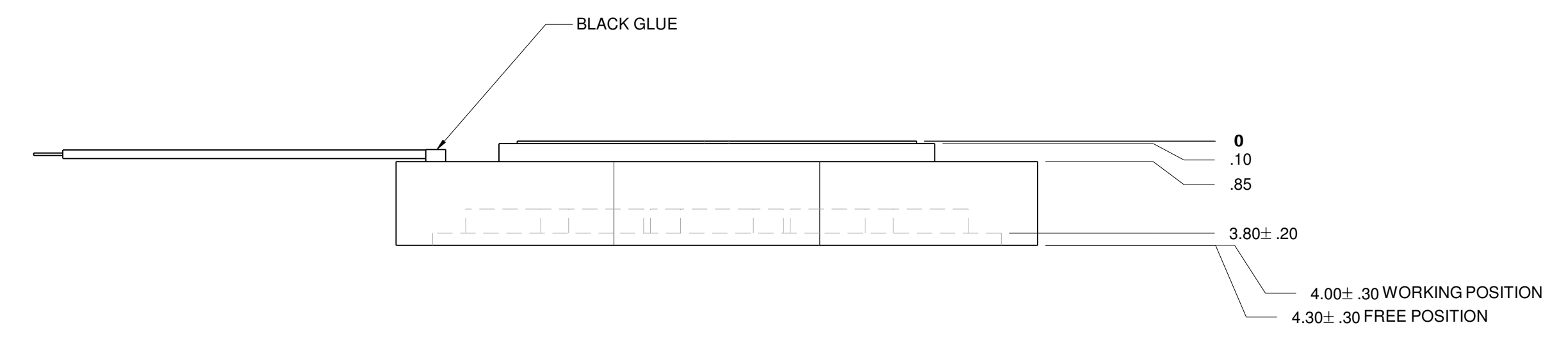
REVISIONS				
ZONE	REV	DESCRIPTION	DATE	APPROVED



No.	Part Name	Material	Quantity
1	Wire (50mm)	UL1571 / AWG 32# 30V ø0.55mm	2
2	PCB	FR-4	1
3	Frame	PBT	1
4	Magnet	Nd Fe B	1
5	Plate	SPCC	1
6	Voice Coil	Copper	1
7	Membrane	PET	1
8	Cap	Stainless Steel	1
9	Gasket	Black Net	1
10	Screen	Black Net	1



BLACK CLOTH



ALL TOLERANCES +/- .5MM UNLESS NOTED



SIZE	FSCM NO.	DWG NO.	REV
D		SP-2618L	
SCALE	1:1	SHEET	1 OF 1