

6

5

4

3

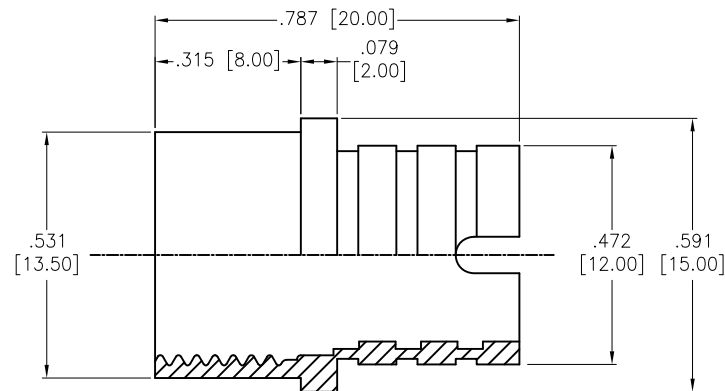
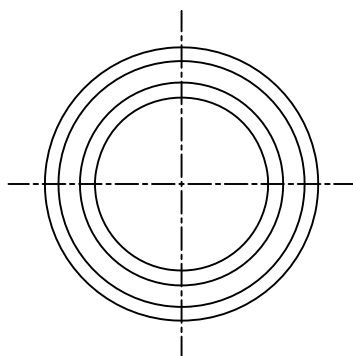
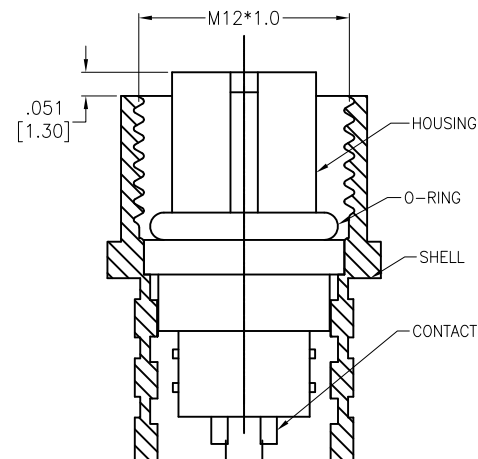
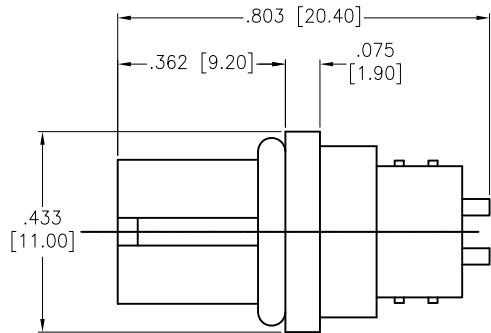
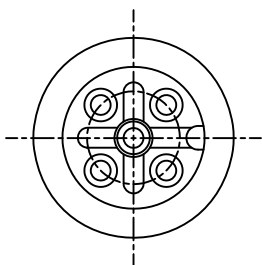
2

1

APPROVED: _____

DATE: _____ TITLE: _____

Rev	AWO #	Description	Date	Appr
-		RELEASED	9/5/19	



SHELL

SPECIFICATIONS:

Material:
 Housing: PBT, Color: Black
 Contacts: Brass, 10u" Gold over Nickel plated
 Shell: Brass, Nickel plated
 O-ring: EPDM, Color: Black
 Electrical:
 Voltage rating: 125 V
 Current rating: 5 A
 Water Proof: IPX7
 Temperature Rating:
 Operating temperature: -20°C to +85°C
 Environmental:
 Lead free, RoHS compliant.



UNLESS OTHERWISE SPECIFIED ALL DIMENSIONS ARE INCHES [MM] TOLERANCES: EXCEPT AS NOTED INCHES HOLES .X ± .10 Ø.X ± .10 .XX ± .020 Ø.XX ± .015 .XXX ± .015 Ø.XXX ± .010		ADAM TECH INTERCONNECTS 909 Rahway Avenue, Union, NJ 07083 Phone: 908-687-5000 Fax: 908-687-5710	
APPROVALS DRAWN LH CHECKED RC APPROVED		DATE 9/5/19 9/5/19	
TITLE WATERPROOF CONNECTOR, FEMALE, M12, A-CODING, SEMI-FINISHED PRODUCT		SIZE X	PART NO. SD-PMAXX-FFTS5
REF: S00298T		SCALE: NTS	REV. - SHEET 1 OF 1

6

5

4

3

2

1