

NOTES:

1. MATERIALS AND FINISHES:

BODY - BRASS , GOLD PLATING
 CONTACT - BRASS , GOLD PLATING
 INSULATOR - PEEK , NATURAL

2. ELECTRICAL:

- A. IMPEDANCE: 50 OHM
- B. FREQUENCY RANGE: DC-10 GHz
- C. INSULATION RESISTANCE: 5 GOHM MIN.
- D. DIELECTRIC WITHSTANDING VOLTAGE: 1000 VRMS MIN.

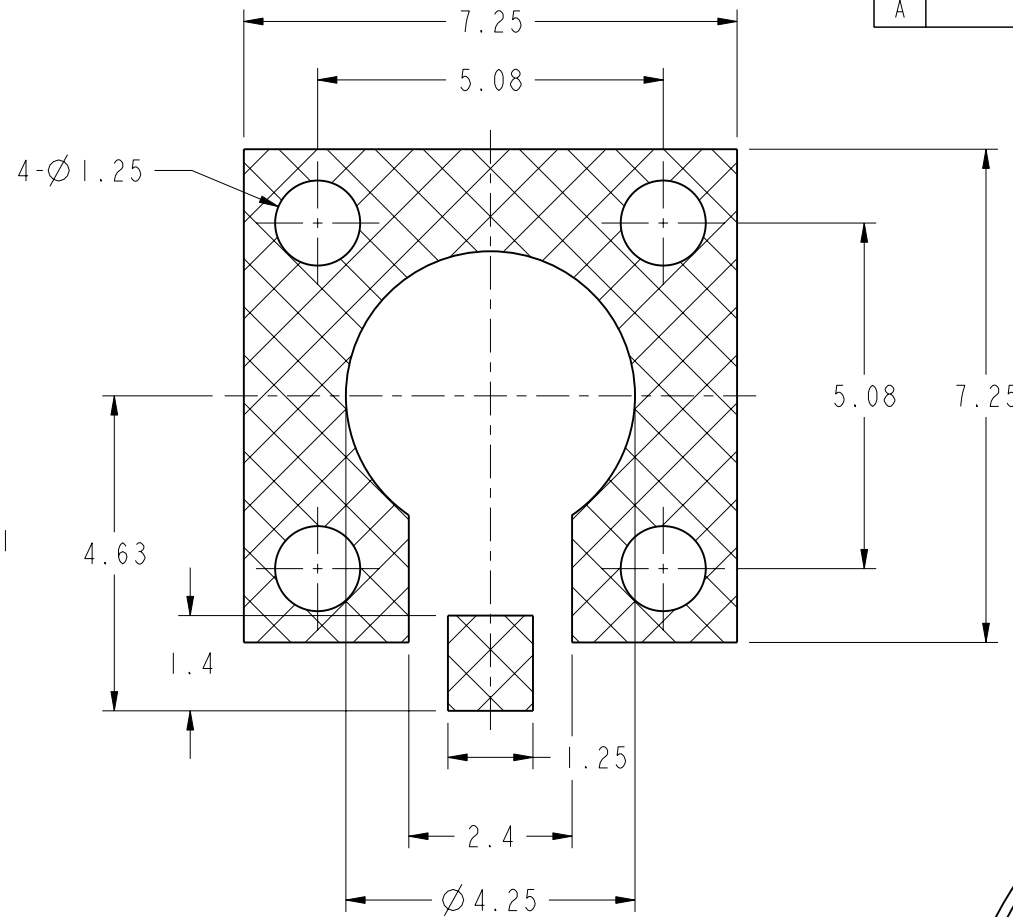
3. MECHANICAL:

- A. MATING CYCLES: 100 MIN.
- B. TEMPERATURE RANGE: -65° C TO 165° C

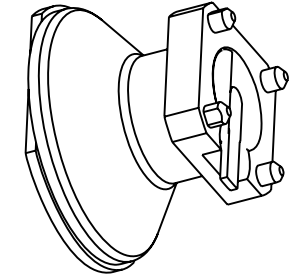
THIRD ANGLE PROJ.

REVISIONS

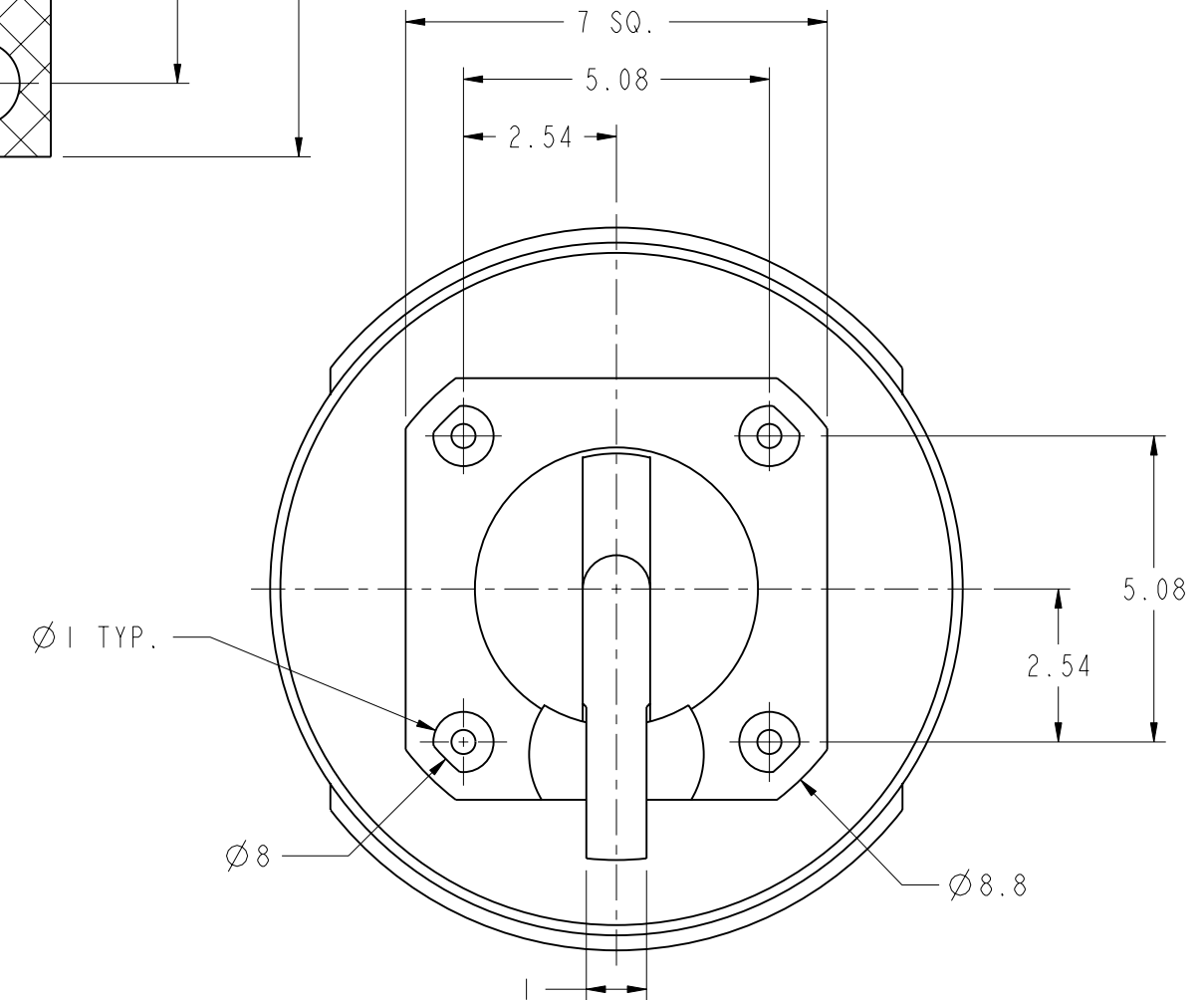
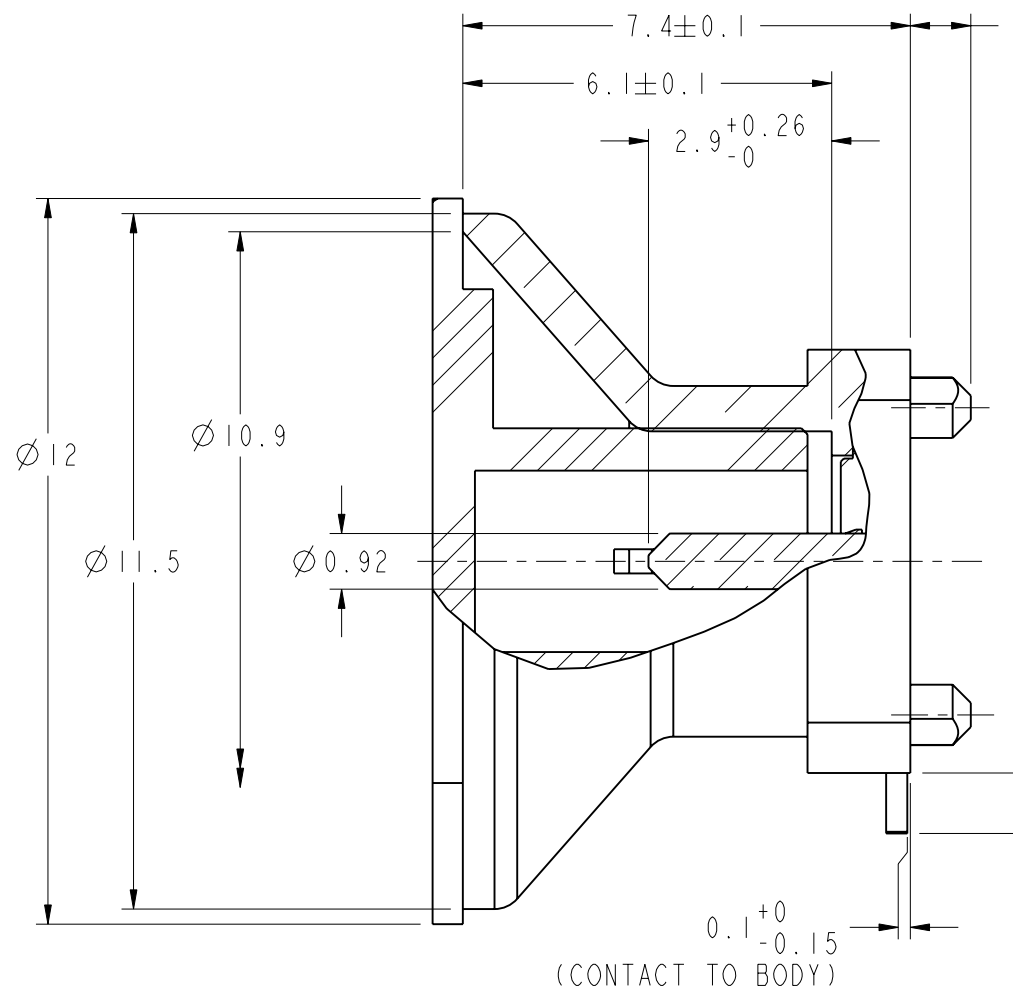
REV	DESCRIPTION	DATE	ECO	APPR
A	RELEASE TO MFG; ADDED PART NO.	23-Dec-15	50842	BCG



RECOMMENDED MOUNTING HOLE



SCALE 3.000



CUSTOMER OUTLINE DRAWING

ALL OTHER SHEETS ARE FOR INTERNAL USE ONLY

UNLESS OTHERWISE SPECIFIED, DIMENSIONS ARE IN METRIC AND TOLERANCES ARE: < 0.5mm ± 0.05mm 0.5 - 6mm ± 0.1mm 6 - 30mm ± 0.2mm 30 - 120mm ± 0.3mm ANGLES ± 1°	MATERIAL	DRAWN STAR	DATE 23-Dec-15	TITLE PSMP STRAIGHT MALE FOR PCB SMOOTH BORE	Amphenol RF www.amphenolrf.com
	NOTICE - These drawings, specifications, or other data (1) are, and remain the property of Amphenol corp. (2) must be returned upon request; and (3) are confidential and not to be disclosed to any person other than those to whom they are given by Amphenol Corp. the furnishing of these drawings, specifications, or other data by Amphenol Corp., or to any other person for any purpose is not to be regarded by implication or otherwise in any manner licensing, granting rights to permitting such holder or any other person to manufacture, use or sell any product, process or design, patented or otherwise, that may in any way be related to or disclosed by said drawings, specifications, or other data.	REFERENCE EAR 5996 ALU PN: 1AB295280001 RSBG PN: 119S14D-40ML5	ENGINEER SUNDE		
FINISH	I:\PSMP\PSMP125ID3-001-8GPAP8GPA-50	APPROVED S. HSIEH	DATE 23-Dec-15	SCALE: 8.0:1.0 SHEET 2 OF 2	ITEM NO. 671251ABLA12C5F
		CAD FILE		DWG SIZE B	REV A
					PART NO. PSMP-MSSB-PCTIR