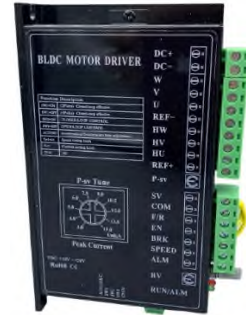




Our standard brushless motor drivers are the perfect all-in-one solution for three-phase bldc motor control. They utilize DSP control technology amongst other useful features.

Contact Us for alternative solutions!



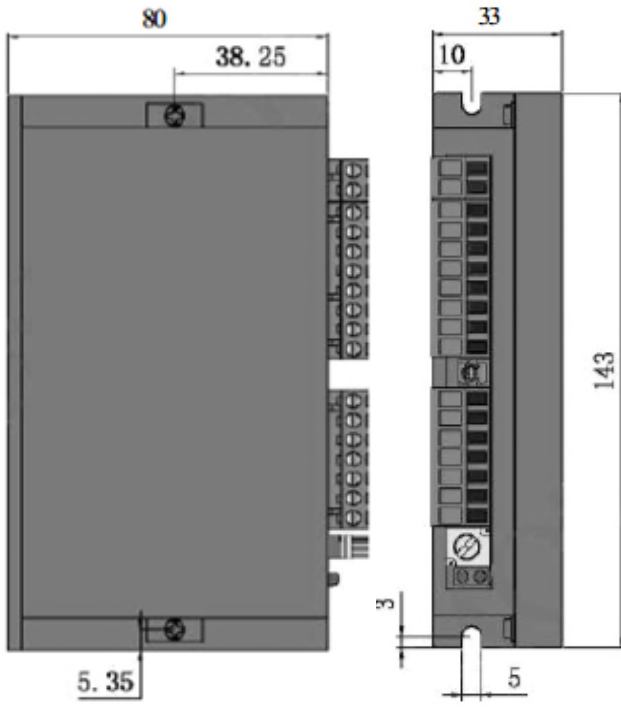
Electrical Specifications

Input Voltage Range:	18 - 50 VDC	Nominal Input Voltage:	48 VDC
Max Current Output:	15 A	Motor Speed Control:	20,000 rpm (<i>max.</i>)
Max Power Output:	300 W	Motor Type:	3-Phase BLDC

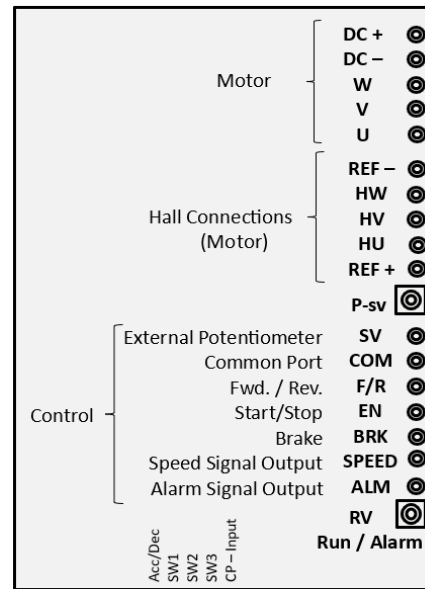
Additional Specifications

External Potentiometer:	10K Ω	Peak Current Setting:	3 - 15A
Motor Types:	2 Pole / 4 Pole	Protection:	Over Voltage / Current

Dimensions & Pin Out



units: mm



Function Description	
SW1 = ON	(2 Pole Motor) Closed-Loop Effective
SW1 = OFF	(4 Pole Motor) Closed-Loop Effective
SW2 = ON	Closed Loop Control
SW2 = OFF	Open Loop Control
ACC/DEC	Acceleration / Deceleration time adjustment

