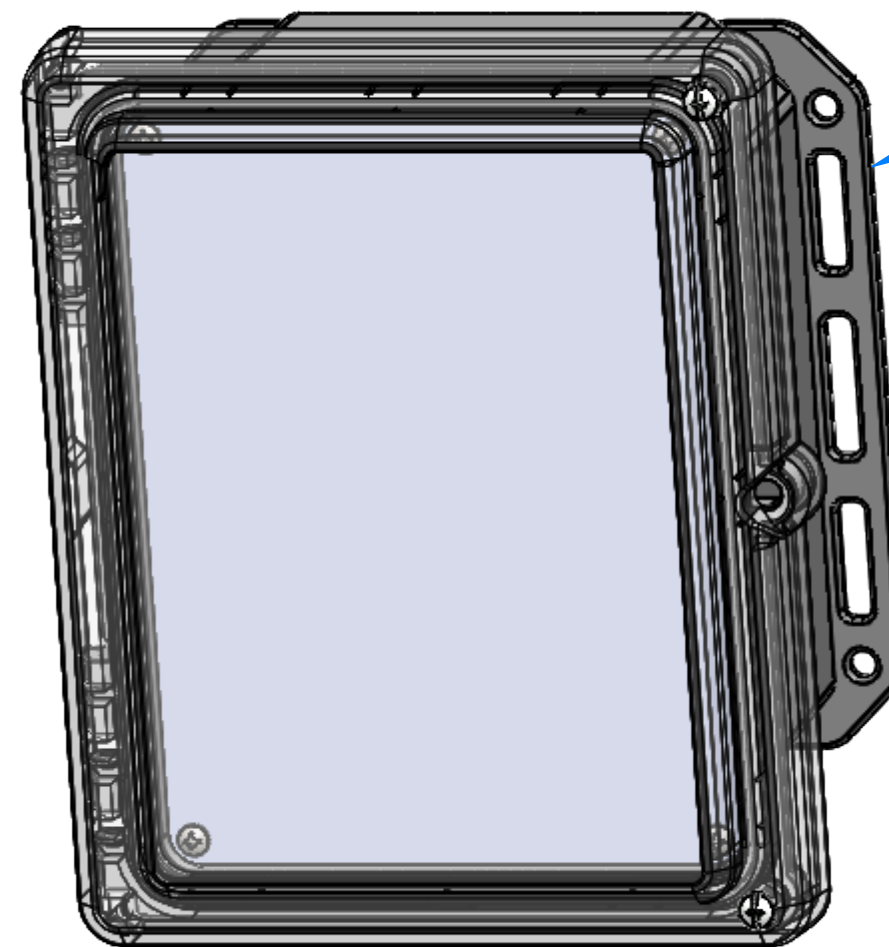
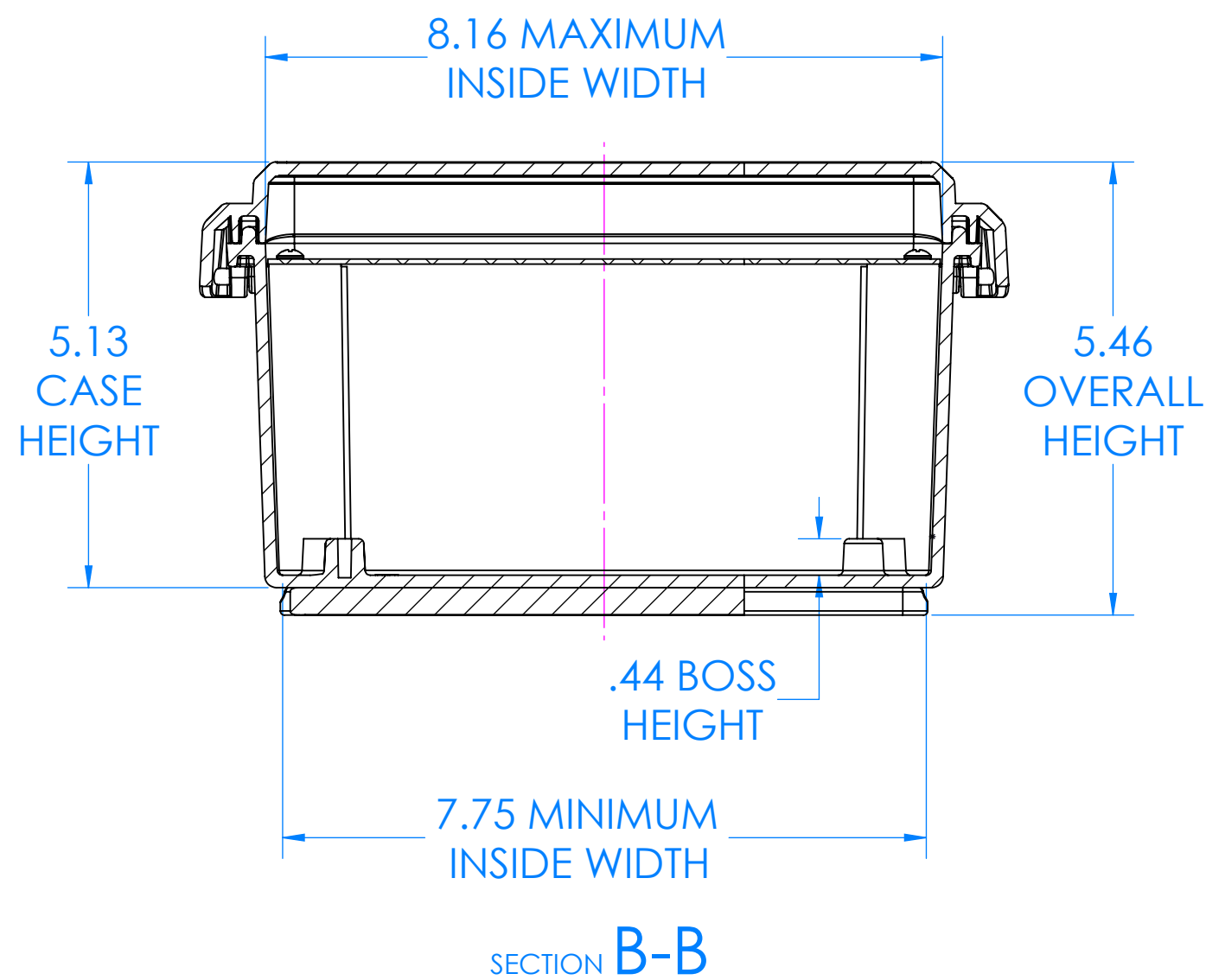
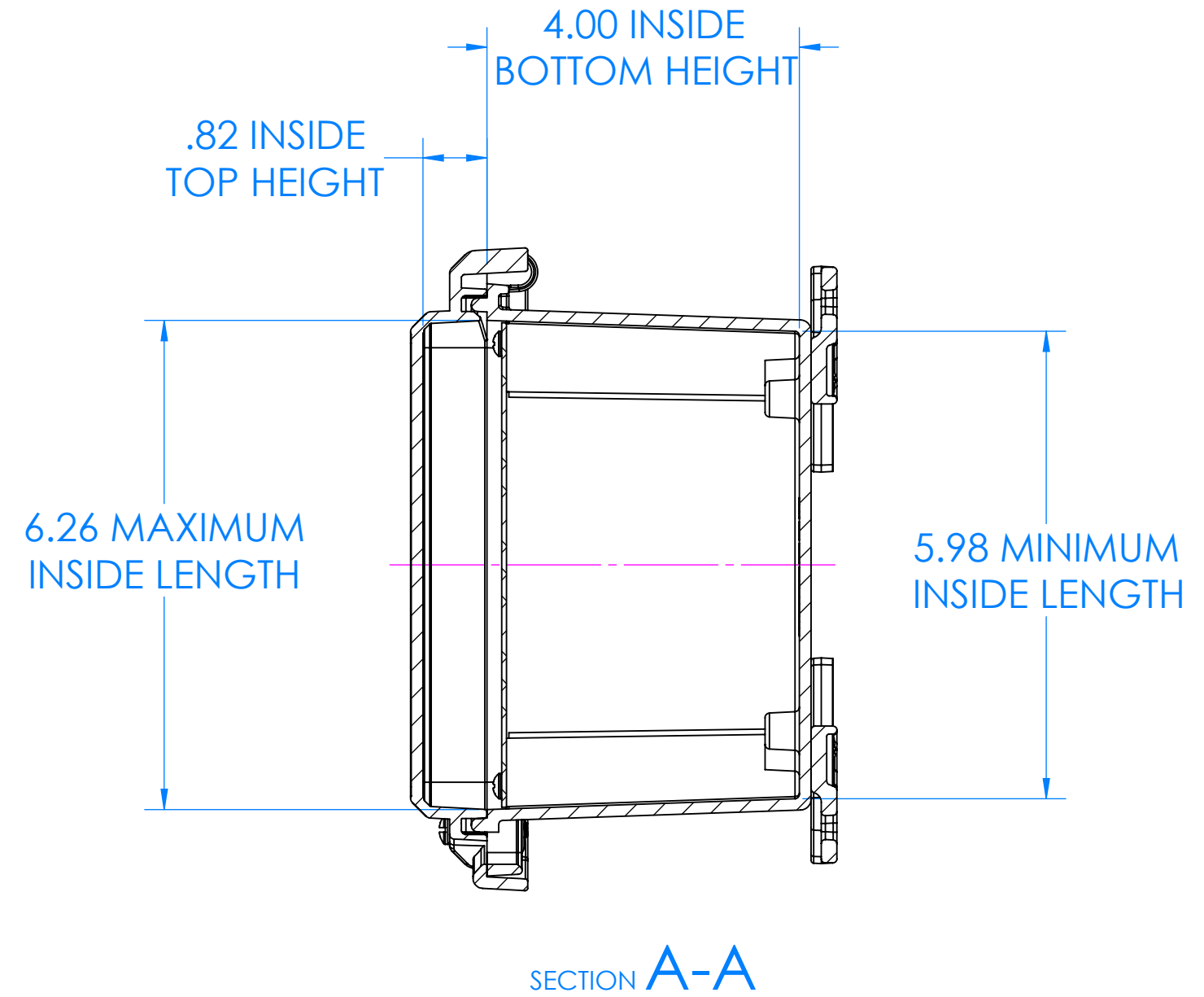
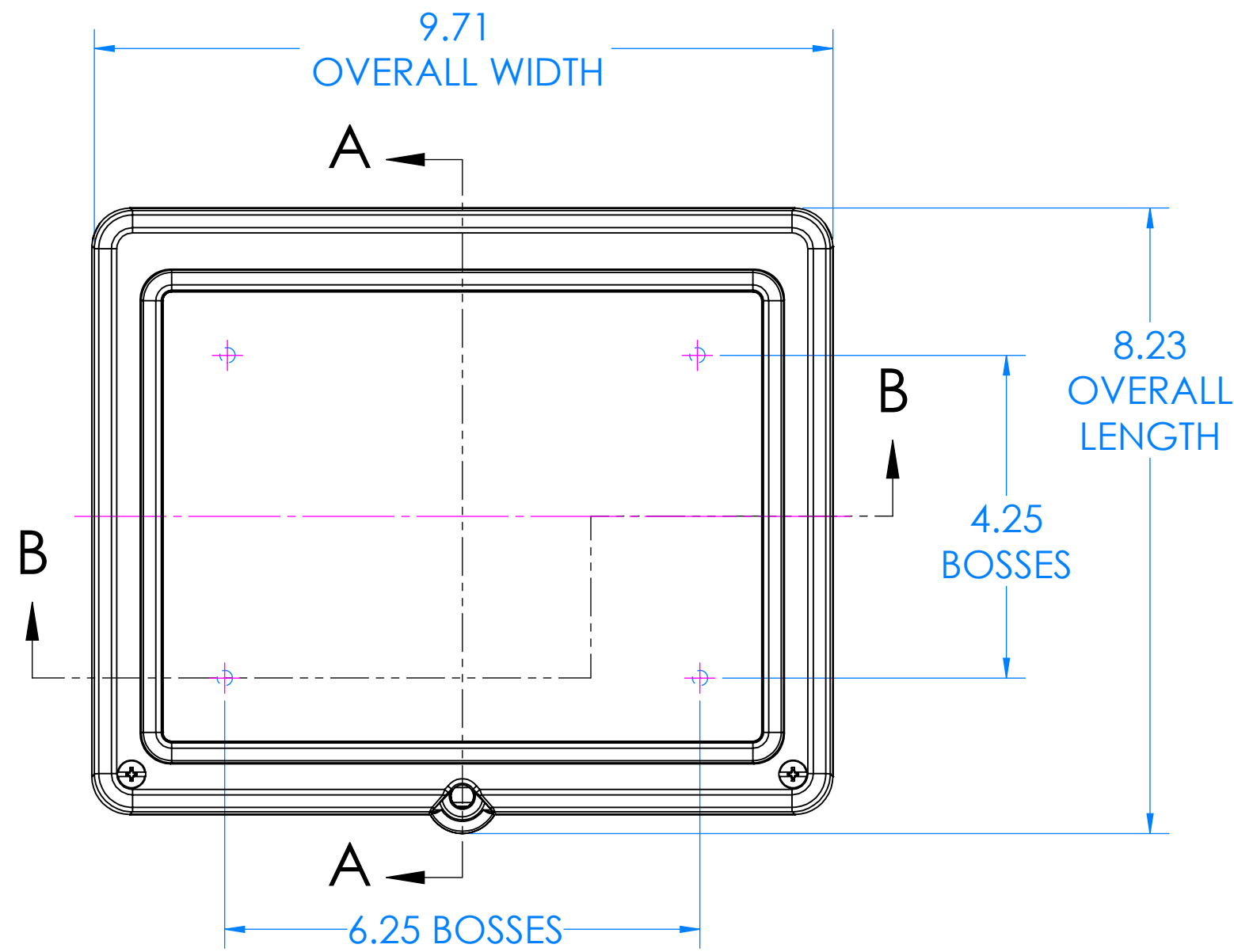


# SERPAC I152HS

Electronic Enclosures



2 Mounting Brackets included, see sheet 2 for dimensions and for optional mounting Corner Feet and Brackets.

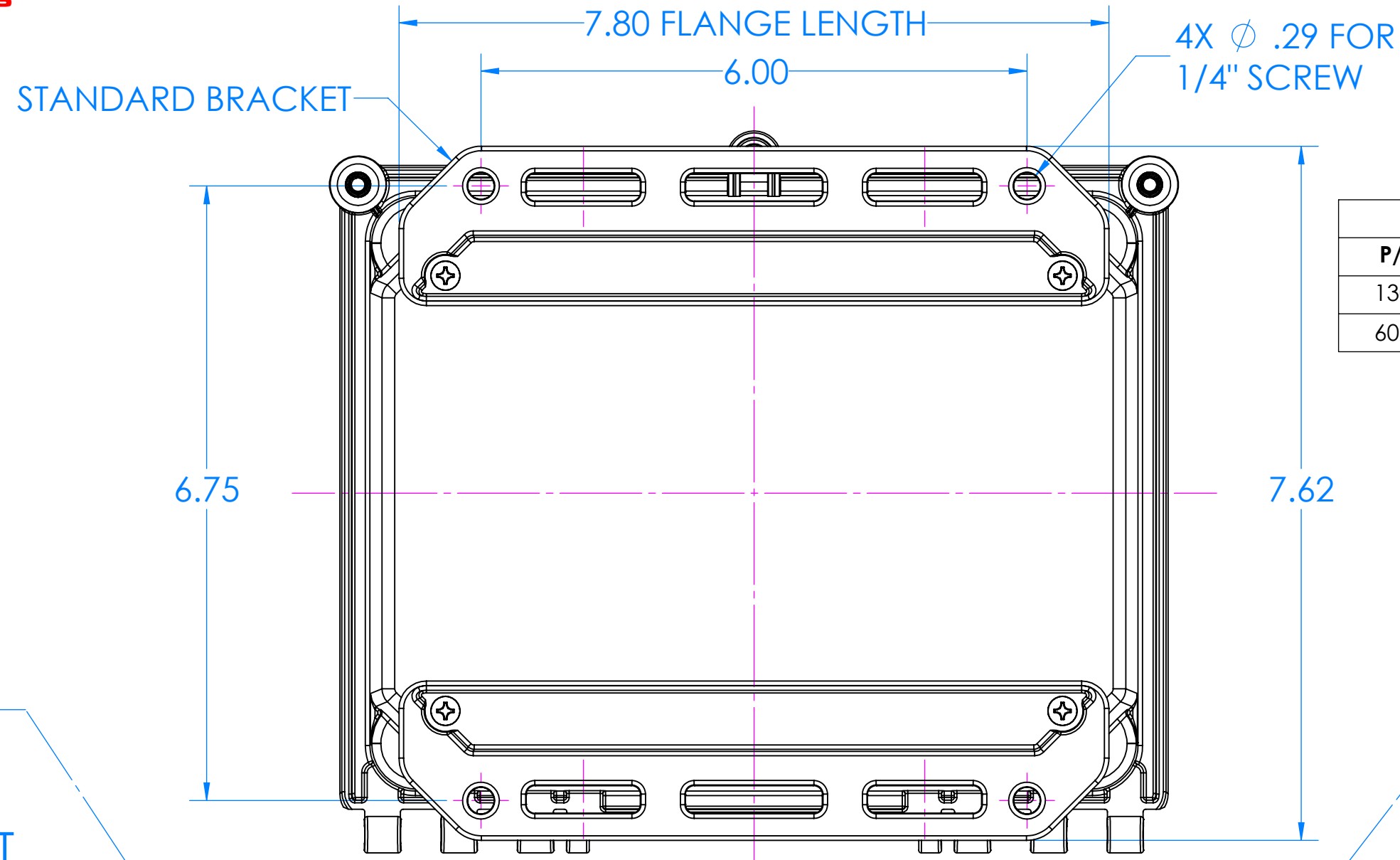
-Material: UV stabilized Polycarbonate  
Flammability UL 94 V-2  
-Watertight enclosure meets or exceeds Nema 4 and or IP67.

Aluminum and Plastic Panel Kits are available as options, see sheets 3-6. The aluminum panel options are:  
Bottom Panel Kit p/n 7100B  
Top Panel Kit p/n 7100T  
Hinged Panel Kit p/n 7100TH  
The plastic panel option is:  
Hinged Panel Kit p/n 7100HP

PARTS INCLUDED		
P/N	Qty.	Description
I152HST	1	I152HS Top
I150HSB	1	I150HS Bottom
8150	1	150 O-Ring
1305	2	Mounting Bracket
6028	4	SS #10 X 5/8" Pan H/L
6031	2	#10 X 1" Screw
8001	2	O-Ring for Screw

# SERPAC I152 Mounting Bracket Dimensions

Electronic Enclosures



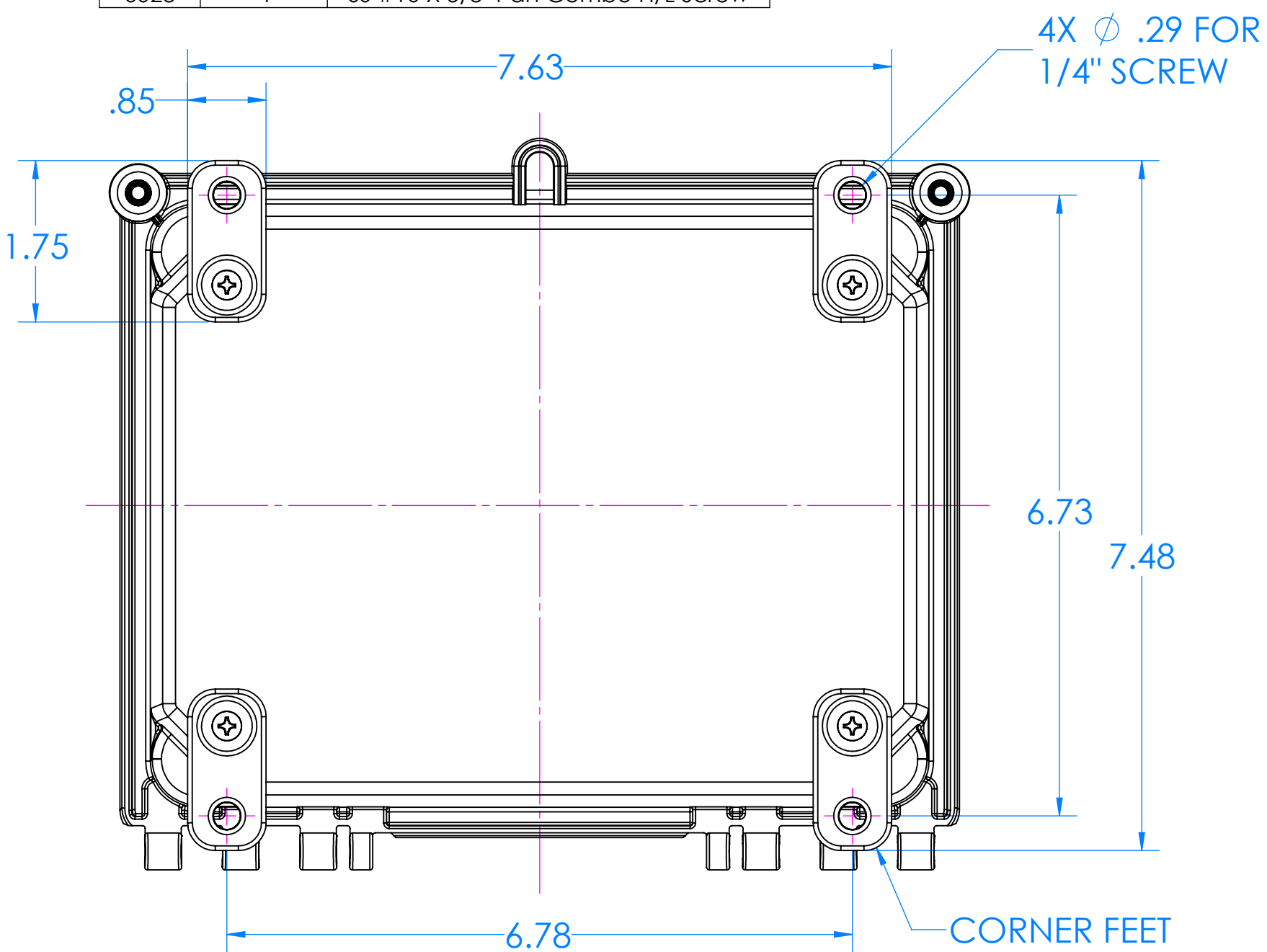
## INCLUDED STANDARD MOUNTING BRACKETS

PARTS INCLUDED		
P/N	Qty.	Description
1305	2	Mounting Bracket
6028	4	SS #10 X 5/8" Pan Combo H/L Screw

TOP REMOVED FOR CLARITY FROM ALL VIEWS

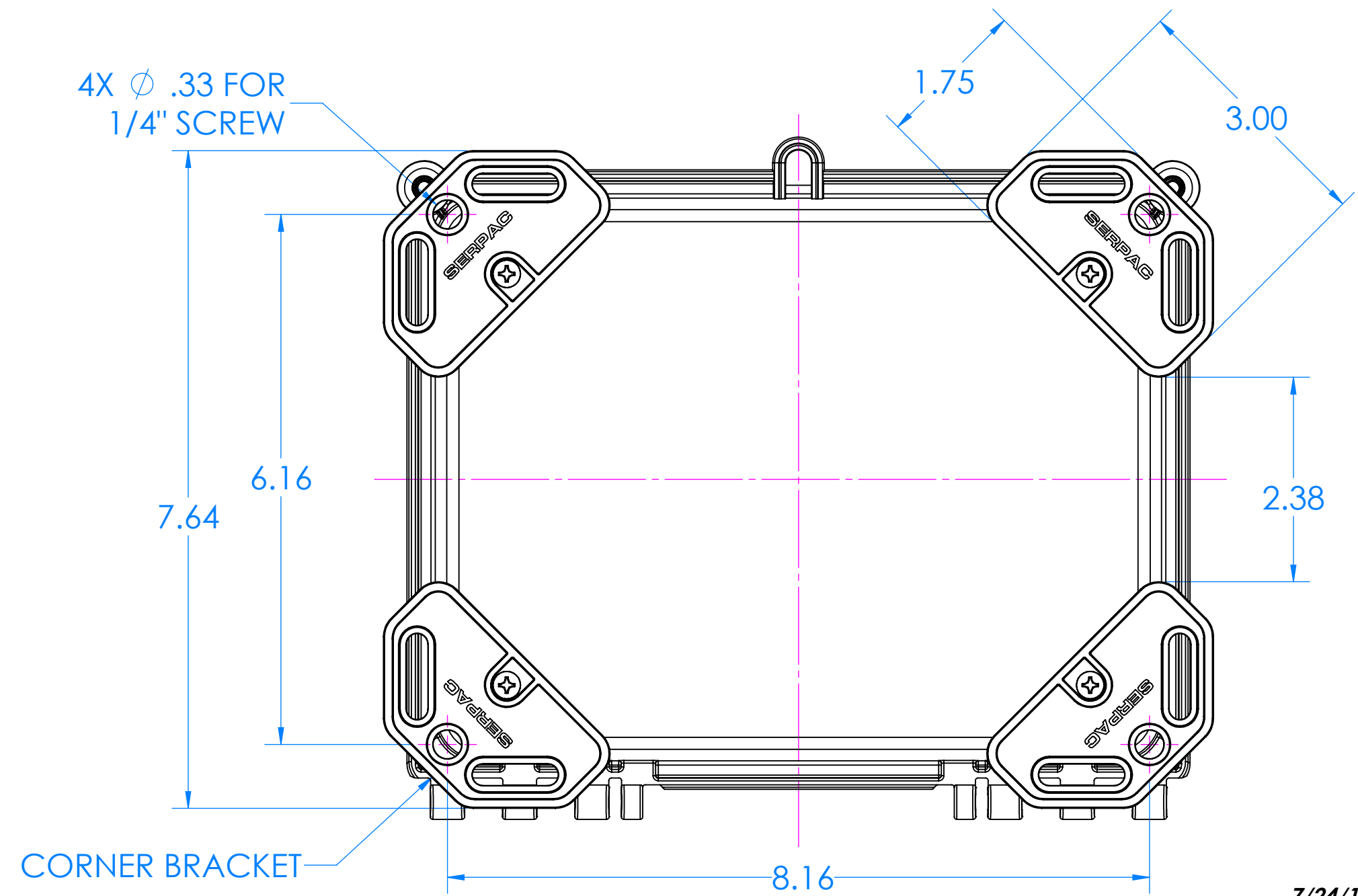
## OPTIONAL CORNER FEET

PARTS INCLUDED		
P/N	Qty.	Description
1306	4	Mounting Corner Feet
6028	4	SS #10 X 5/8" Pan Combo H/L Screw

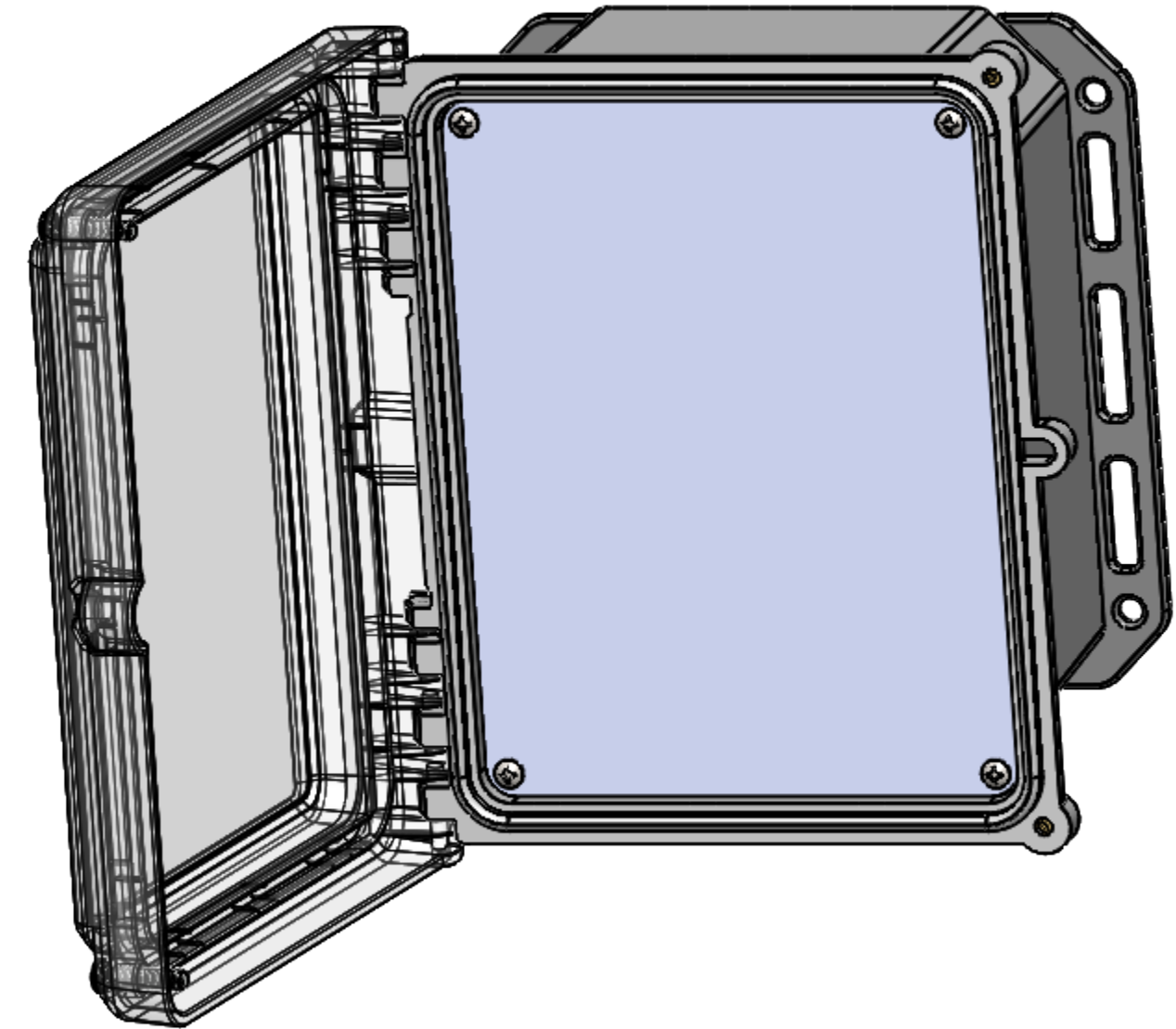
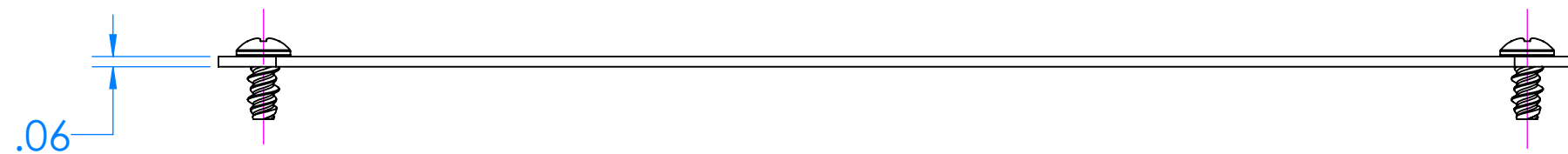
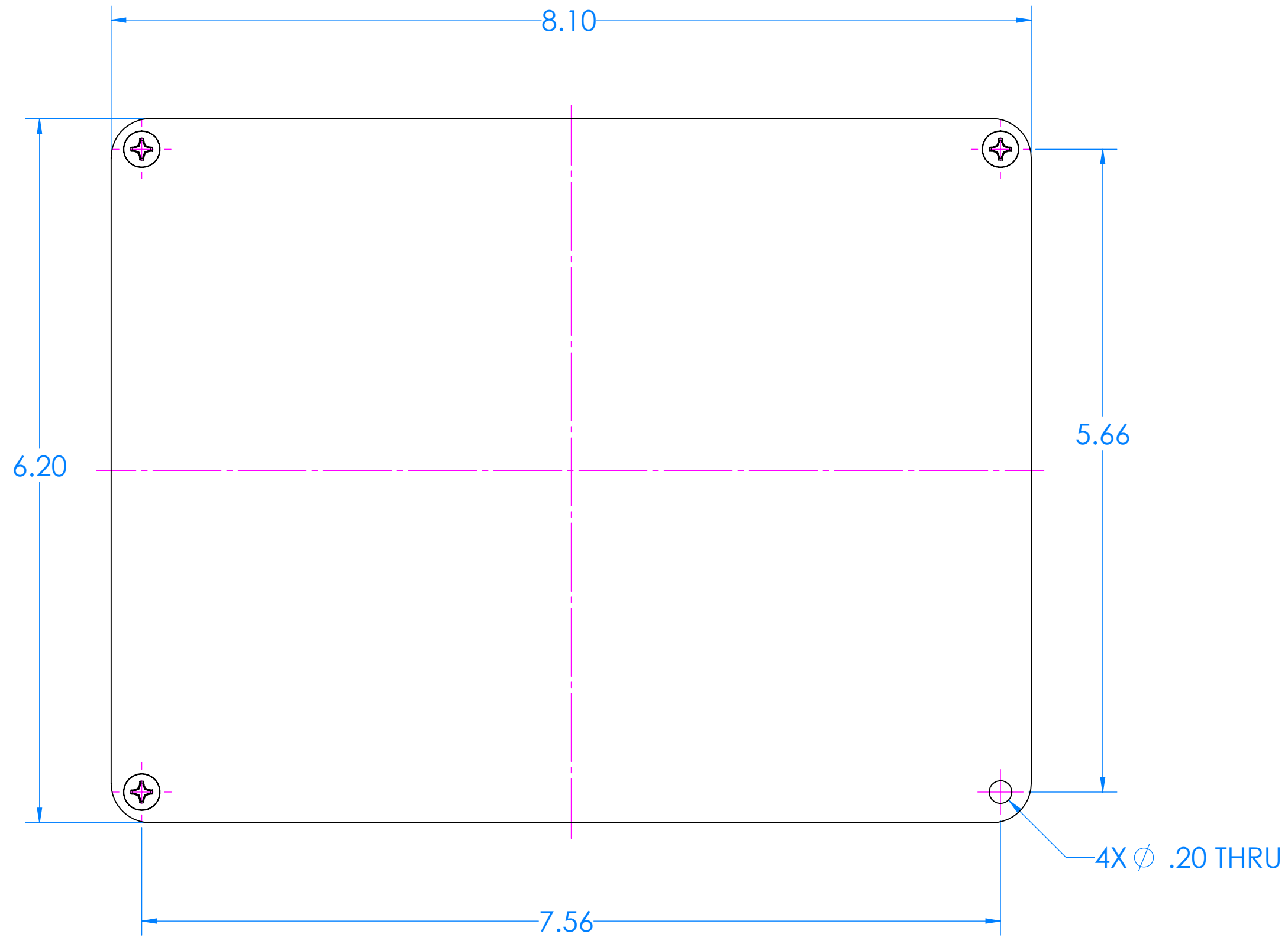


## OPTIONAL CORNER BRACKETS

PARTS INCLUDED		
P/N	Qty.	Description
1355	4	Mounting Corner Bracket
6028	4	SS #10 X 5/8" Pan Combo H/L Screw



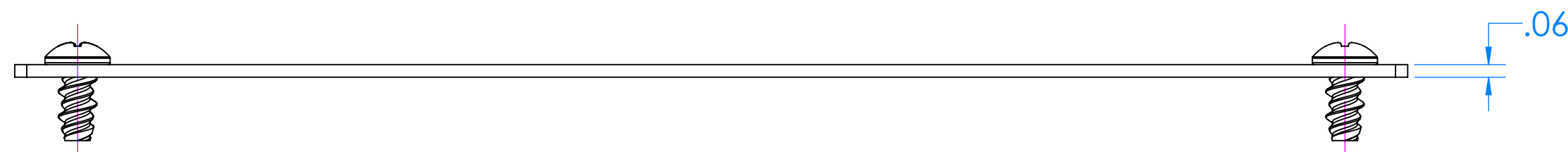
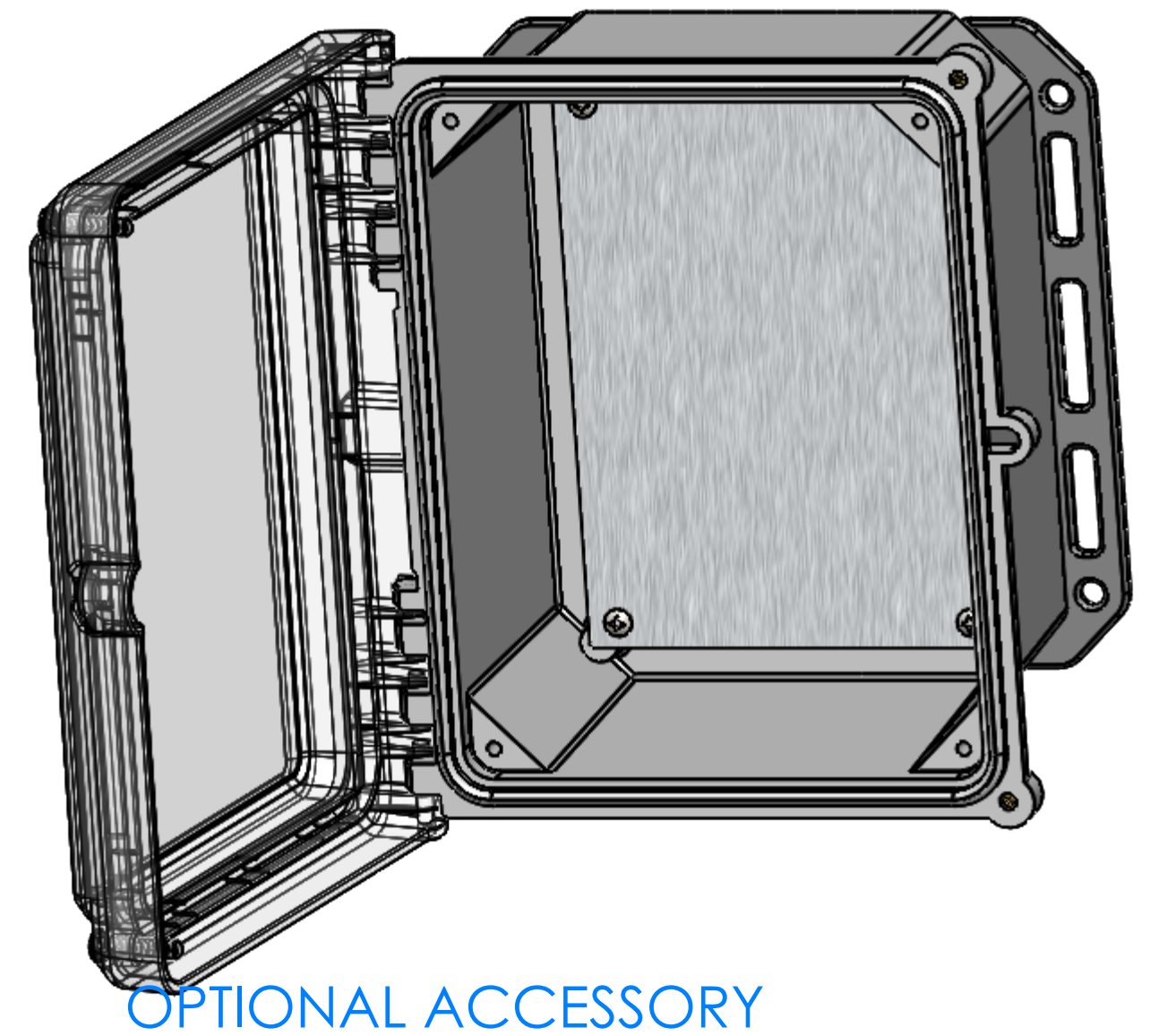
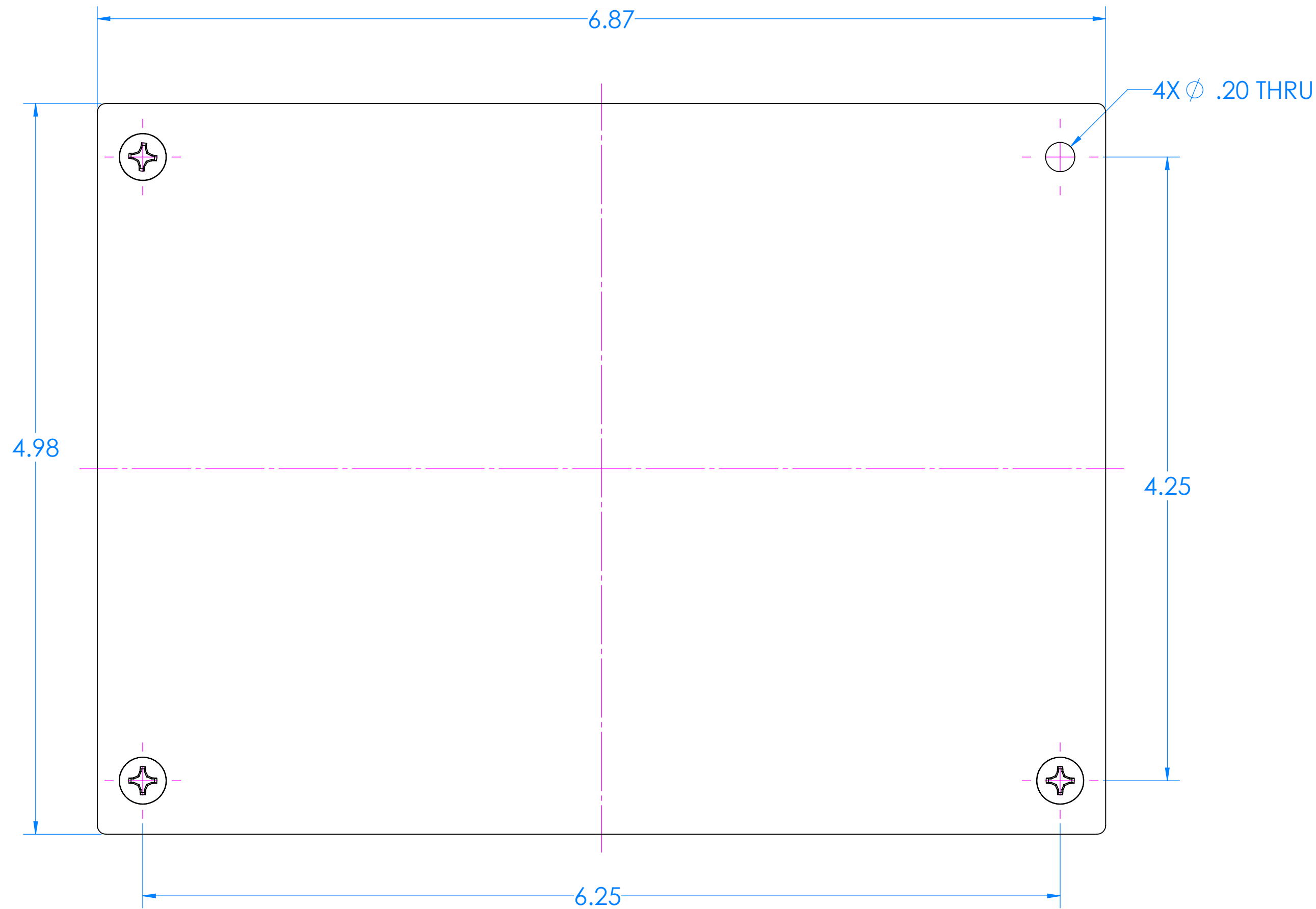
# 7100T Top Panel Kit for I152HL and I152HS



OPTIONAL ACCESSORY

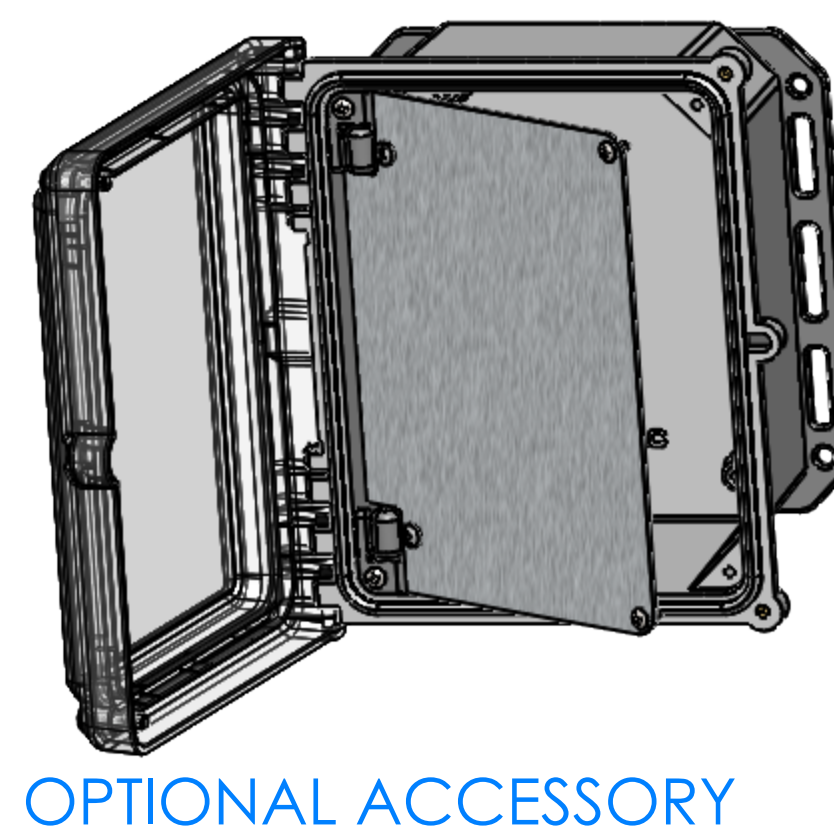
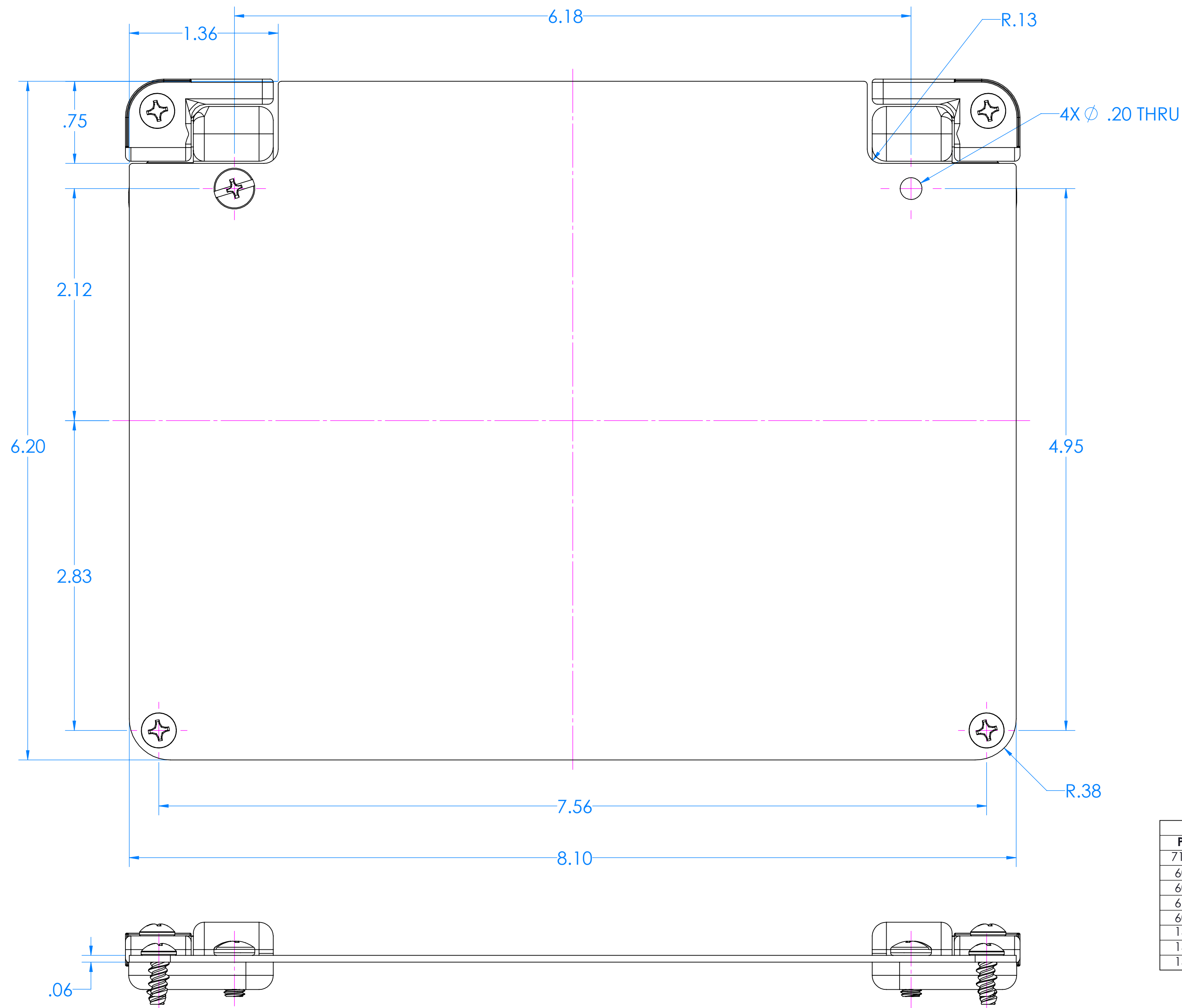
PARTS INCLUDED		
P/N	Qty.	Description
71040	1	Top Aluminum Panel
6029	4	SS #10 X 3/8" Pan HL Screw

# 7100B Bottom Panel Kit for I152HL and I152HS



PARTS INCLUDED		
P/N	Qty.	Description
71000	1	Bottom Aluminum Panel
6029	4	SS #10 X 3/8" Pan HL Screw

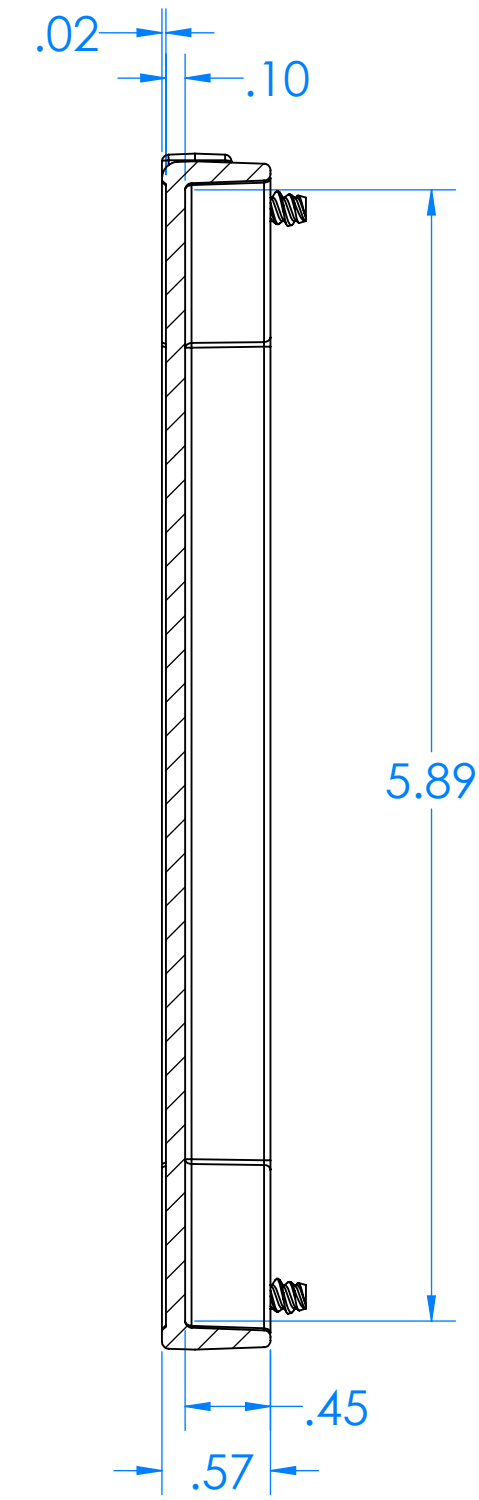
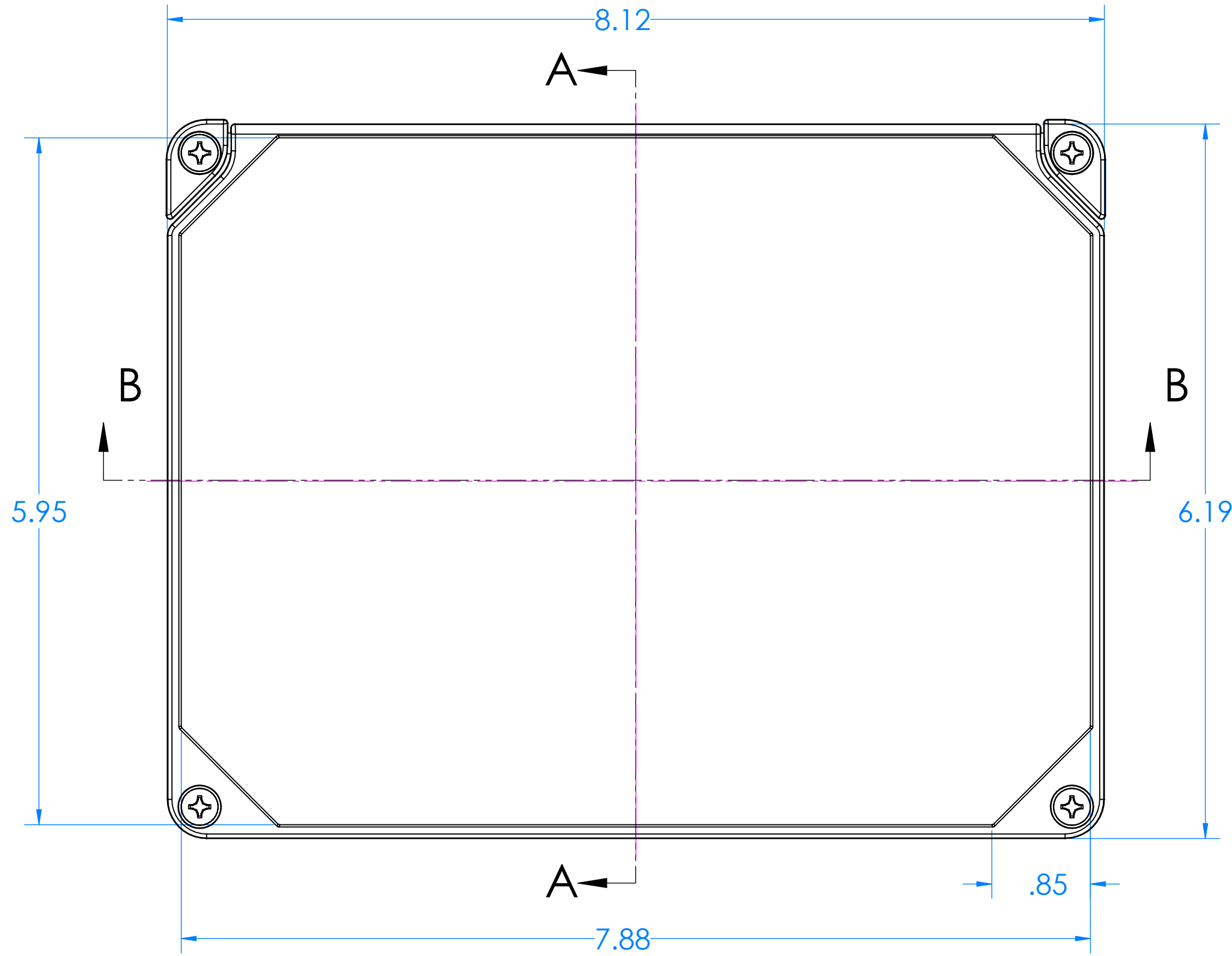
# 7100TH Hinged Top Panel Kit for I152HL and I152HS



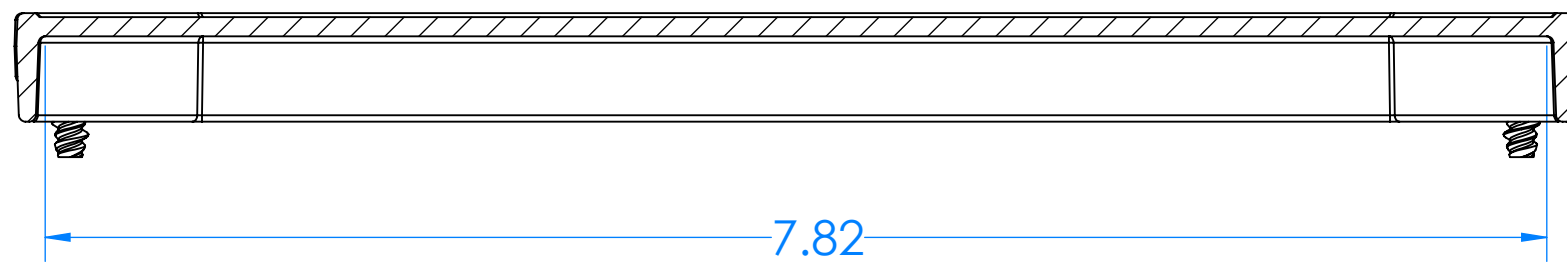
OPTIONAL ACCESSORY

PARTS INCLUDED		
P/N	Qty.	Description
71020	1	Hinged Top Aluminum Panel
6029	2	SS #10 X 3/8" Pan HL Screw
6030	2	SS #10 X 3/8" Pan Combo Screw HL Screw
6105	2	SS #10-32 X 1/8" Nut
6028	2	SS #10 X 5/8" Pan Combo HL Screw
1307	2	Hinge Pin
1308	1	Panel Hinge A
1309	1	Panel Hinge B

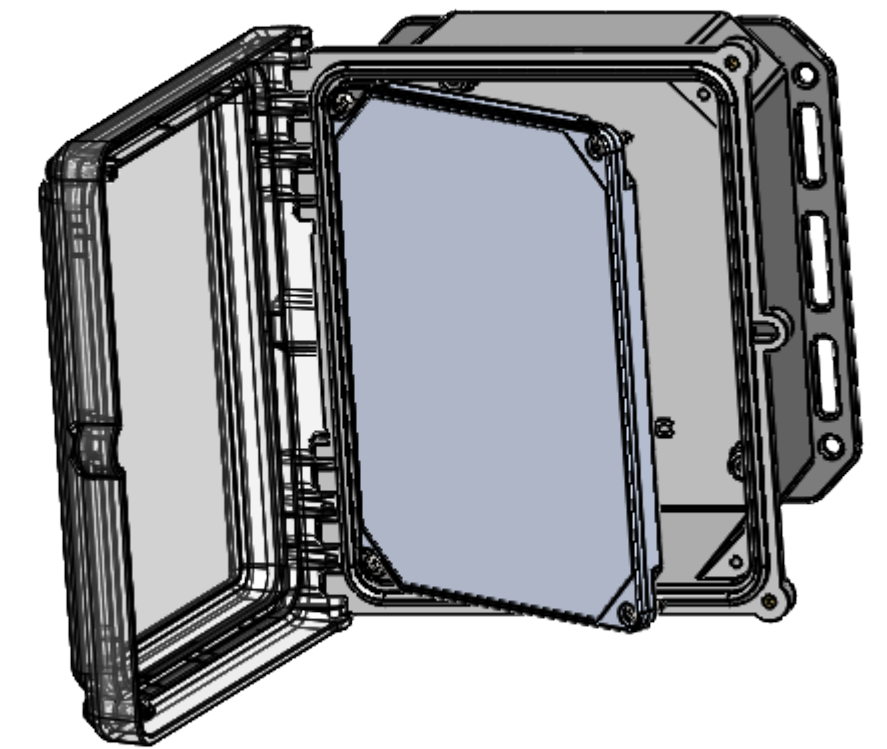
# 7100HP Hinged Top Plastic Panel Kit for 152HL and 152HS



SECTION A-A  
SCALE 1 : 1



SECTION B-B  
SCALE 1 : 1



OPTIONAL ACCESSORY

Parts Included		
P/N	Qty.	Description
71021	1	Hinged Top Plastic Panel
1310	1	Hinge - Left
1311	1	Hinge - Right
6028	4	SS #10 X 5/8" Pan Combo H/L Screw