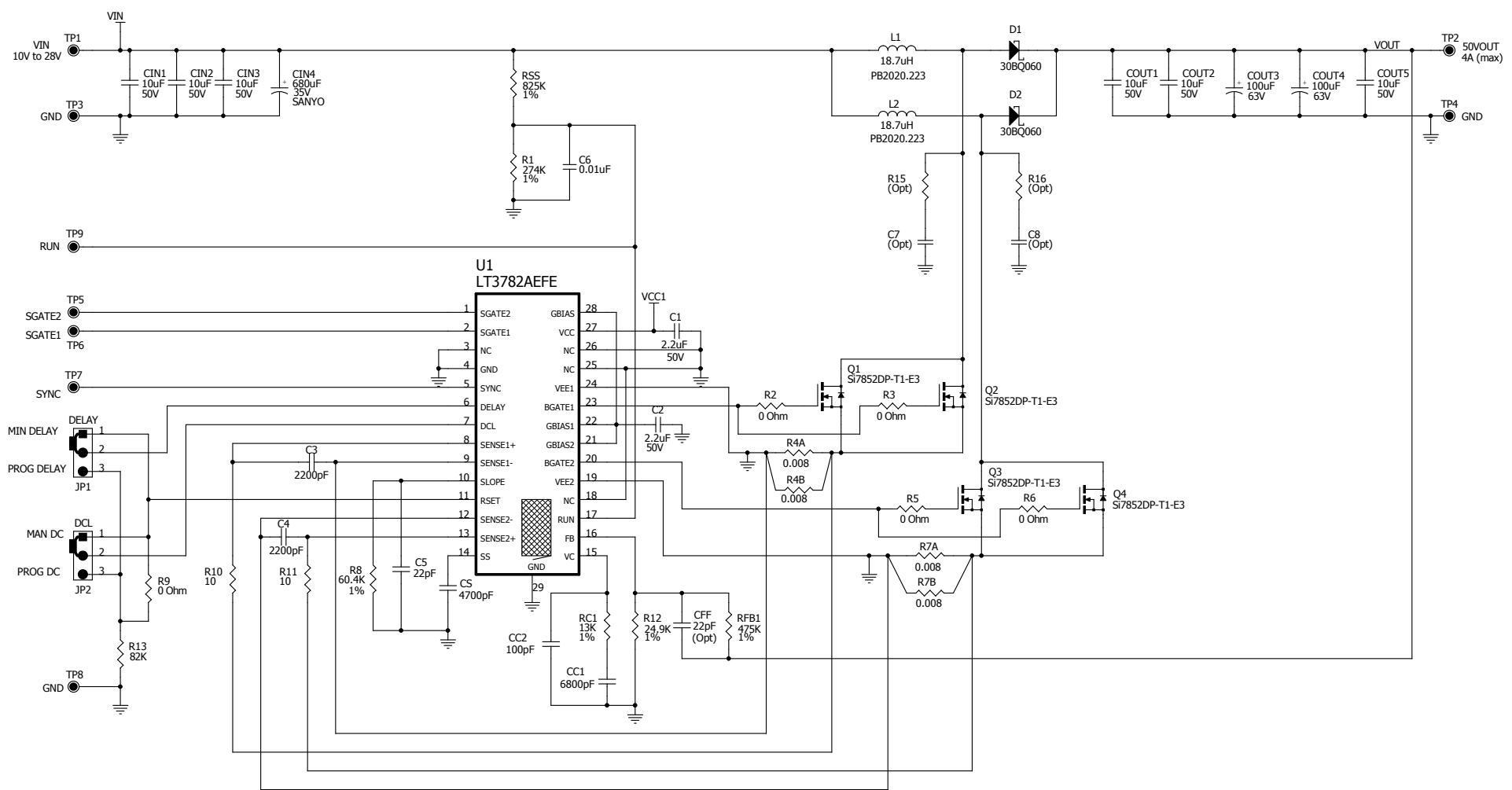
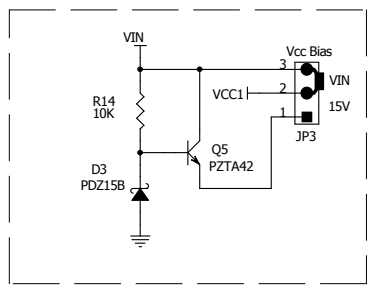


REVISION HISTORY				
ECO	REV	DESCRIPTION	DATE	APPROVED
	C	From LT3782 to LT3782A	12/18/08	V. Khasiev



**OPTIONAL**



This circuit is proprietary to Linear Technology and supplied for use with Linear Technology parts.  
**Customer Notice:** Linear Technology has made a best effort to design a circuit that meets customer-supplied specifications; however, it remains the customers responsibility to verify proper and reliable operation in the actual application. Component substitution and printed circuit board layout may significantly affect circuit performance or reliability. Contact Linear Applications Engineering for assistance.

APPROVALS		LINEAR TECHNOLOGY CORPORATION	
DRAWN: Rudy Bautista		1630 McARTHUR BLVD MILPITAS, CA. 95035 (408)432-1900 (408)434-0507 (FAX)	
ENGINEER: Victor Khasiev		www.linear.com LTC Confidential - For Customer Use Only	
APPROVED:		Title: LT3782AEFE#PBF High Power Dual Phase Boost Converter	
CHECKED:		SD Document Number	Demo Circuit 770C
Date: Friday, January 30, 2009	C:\ORCADWIN\CAPTURE\770C\770C_01_REV0.DSN	Sheet 1	of 1