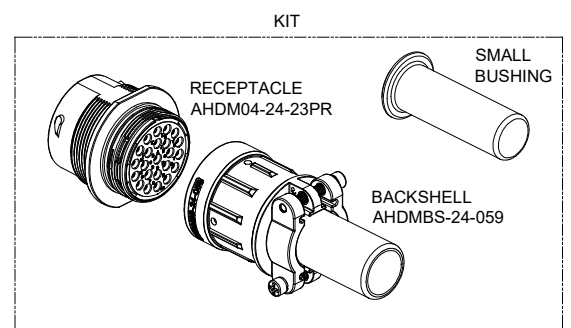
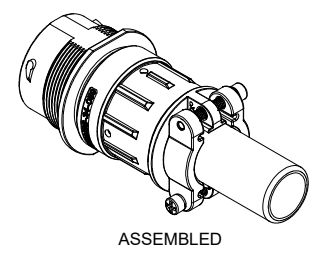


| REVISIONS | | | | | |
|-----------|-----|-------------|-----------|---------|------|
| REV | ECO | DESCRIPTION | DATE | BY | APPR |
| A1 | -- | RELEASED | 16MAR2020 | J. HEAD | DH |

NOTES: UNLESS OTHERWISE SPECIFIED

- RECEPTACLE MATERIAL:
SHELL: ZINC ALLOY, NICKEL PLATED
INSERT AND RETAINING RING: THERMOPLASTIC
SEAL: SILICONE RUBBER
- BACKSHELL MATERIAL:
SHELL: ALUMINIUM ALLOY, NICKEL PLATED;
LATCH SEGMENT: ALUMINIUM ALLOY, NICKEL PLATED;
SCREW AND LOCK WASHER: STAINLESS STEEL;
BUSHING: EPDM.
- SPECIFICATIONS:
3.1 OPERATING TEMPERATURE: -55°C TO +125°C.
3.2 DIELECTRIC WITHSTANDING VOLTAGE: LESS THAN 2 MILLIAMPS CURRENT LEAKAGE @ 1500 VOLTS AC.
3.3 INSULATION RESISTANCE: 1000 MEGOHM MIN @ 25°C.
3.4 MOISTURE RESISTANCE: IP67 & IP69K (MATED CONDITION).
3.5 MATING CYCLE DURABILITY: 100 CYCLES
3.6 RoHS COMPLIANT
- APPLY TO CABLE OD SIZE: Ø11.20-Ø24.08 . CAN BE USED:
4.1. WITH LARGE AND SMALL BUSHINGS IN PLACE.
4.2. WITH ONLY LARGE BUSHING IN PLACE.
4.3. WITH BOTH BUSHINGS REMOVED.
- ALL DIMENSIONS ARE FOR REFERENCE USE ONLY.
- SEE SPECIFIC RECEPTACLE DRAWING FOR:
6.1 CONTACT SIZE AND WIRE RANGE.
6.2 RETAINING RING COLOR.
6.3 MATING PART(S).
6.4 CONTACT LAYOUT AND ALL OTHER SPECIFICATIONS.



| | | | |
|---------------------------------------|-----------------|--|----------|
| AHDMS-24-059 | | HDM-24-23PR-059 | |
| PART NUMBER | | DESCRIPTION | |
| QUANTITY | | ITEM | |
| MATERIALS LIST | | | |
| UNLESS OTHERWISE SPECIFIED | | | |
| 1) All dimensions are in metric (mm). | | | |
| 2) Tolerances are as follows: | | | |
| 1 PL DEC ±0.30 | Fractions ±1/64 | | |
| 2 PL DEC ±0.15 | Angles ±1° | | |
| 3 PL DEC ±0.08 | | | |
| 3) Note reference = | | | |
| MATERIAL SPECIFICATIONS: | | SIGNATURES | |
| PROCESS SPECIFICATIONS: | | DATE | |
| NEXT ASSY: | | DRAWN: J. HEAD | |
| | | 16MAR2020 | |
| | | CHECKED: | |
| | | ENGINEER: | |
| | | APPROVAL: | |
| | | CUSTOMER: | |
| | | THIS DRAWING IS SUPPLIED FOR INFORMATION ONLY. DESIGN FEATURES, SPECIFICATIONS AND PERFORMANCE DATA SHOWN HEREON ARE THE PROPERTY OF THE AMPHENOL CORPORATION. NO RIGHTS OF REPRODUCTION ARE IMPLIED. ALL DIMENSIONS ARE SUBJECT TO NORMAL MANUFACTURING VARIATIONS. | |
| | | <p style="text-align: center;">Amphenol</p> <p style="text-align: center;">Sine Systems - www.amphenol-sine.com 44724 Morley Drive Clinton Township, MI 48036</p> | |
| | | DURAMATE AHDM RECEPT, SIZE 24, WD THD, KIT W/ CABLE CLAMP BACKSHELL | |
| SIZE | TYPE | DWG NO. | REVISION |
| B | C- | AHDMS-24-059 | A1 |
| SCALE: NONE | | SHEET 1 OF 1 | |

TITLE: KIT RECEPT AND BACKSHELL SZ 24
DWG NO: AHDMS-24-23PR-059
REV: A1
SH: 1
OF: 1