

Withwave's Precision Test Adapters are designed based on precision microwave interconnection technologies. This SMA(F) to SMA(F) adapter with bulkhead is manufactured to precise microwave specifications and constructed with female gender on side 1 and female gender side 2.

The precision microwave connector interfaces ensure an excellent microwave performance up to 26.5 GHz



■ Features

- Frequency range : DC to 26.5 GHz
- VSWR : 1.15 : 1(Max) @ 18 GHz
1.20 : 1 (Max) @ 26.5 GHz
- Stainless steel (passivated)

■ Specification

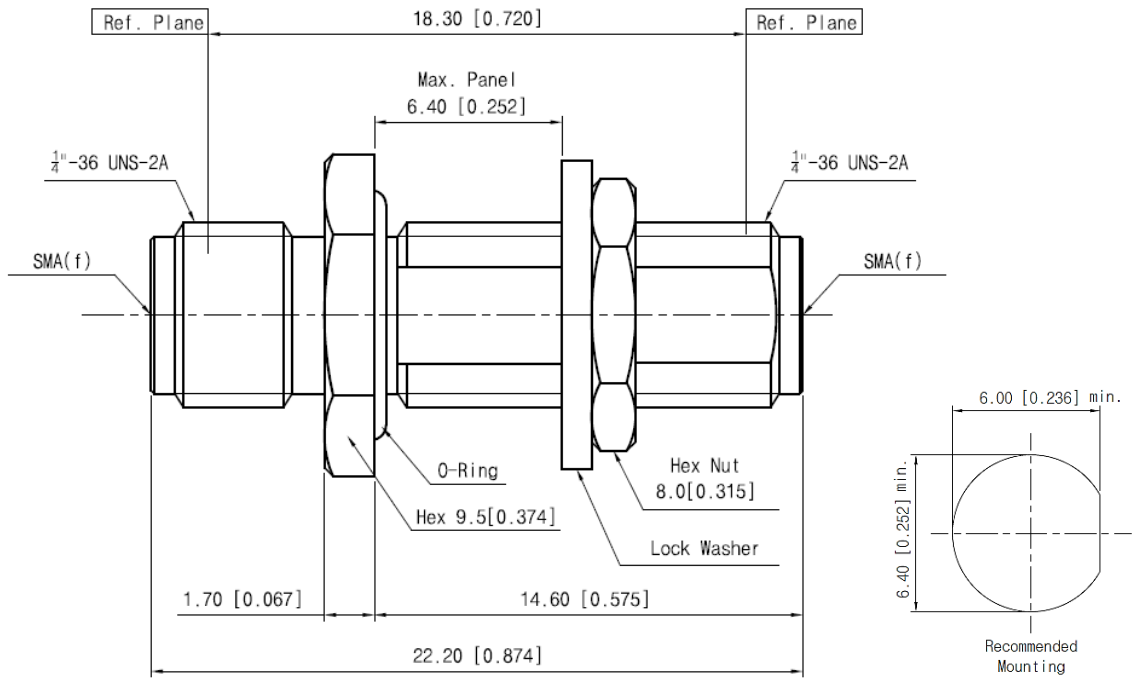
Scope	Specification	AD06F06FS3
Electrical	Impedance(Ohm)	50
	Operation Freq.(GHz)	DC to 26.5 GHz
	VSWR (Max)	1.15 : 1 @ 18 GHz 1.20 : 1 @ 26.5 GHz
Material	Dielectric	PTFE
	Center Contact	BeCu with gold plated
	Body	Passivated Stainless Steel

* RoHS Compliant

■ Drawing

Part No.: AD06F06FS3

Unit : mm



■ Test Result

