

MATERIAL AND FINISH:

Insulator: PBT, glass fiber, color black, UL-94V-0

Contacts: Copper Alloy

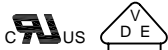
ELECTRICAL SPECIFICATIONS:

Rated current: 2.5A

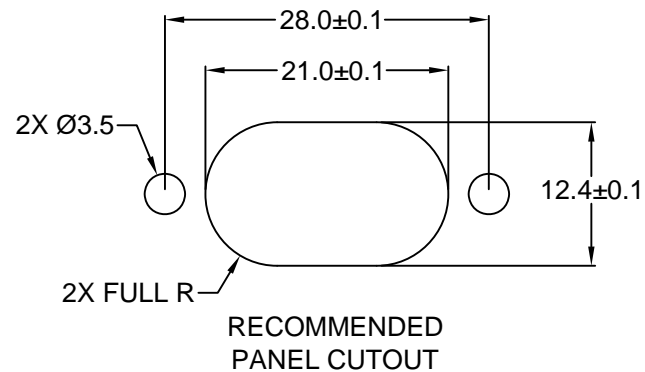
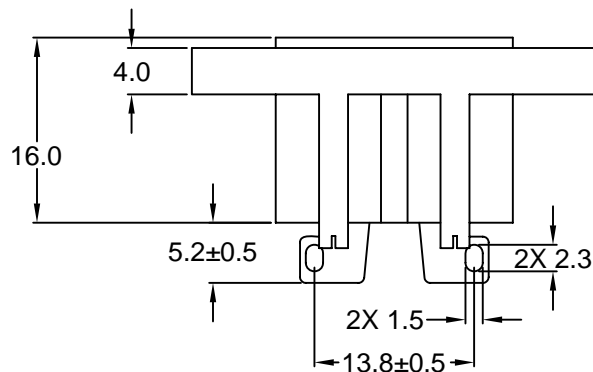
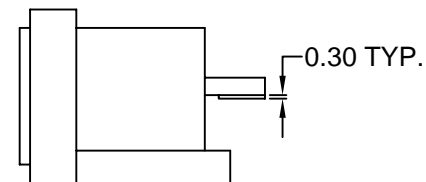
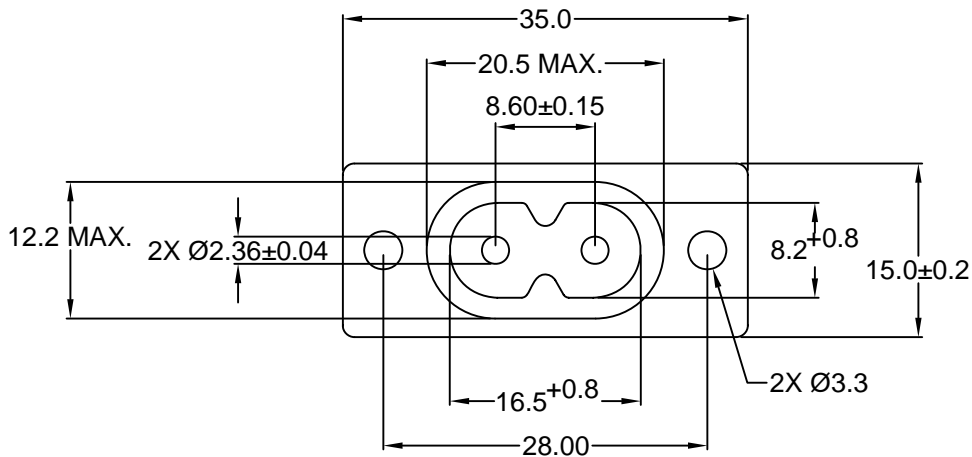
Rated voltage: 250VAC

Insulation resistance: 100 Mohm min. @ 500VDC

Dielectric withstanding voltage: 2000VAC for one minute



RoHS COMPLIANT



REVISIONS	REV	DATE	CHANGE	CHNG	CHK	APPR
	A	5/10/00	REVISED & UPDATED	TD	JJ	PB
	B	1/11/2001	REVISED / UPDATED	GQ	TD	PB

TOLERANCE UNLESS OTHERWISE SPECIFIED	
X	± 1
X.X	± 0.4
X.XX	± 0.20
DRAWN BY	CE
DATE:	10/9/97
CHECK BY	JJ
DATE:	5/11/00
APPR BY	PB
DATE:	5/15/00

**Power Dynamics, Inc.**  
 Phone: 973 560-0019 Whippany, New Jersey Fax: 973 560-0076

PART: MINIATURE IEC 60320 C8 APPL. INLET FLUSH  
 FLANGE MOUNT, SOLDER TERMINALS

**42R51-5125**

SIZE: A  
 SCALE: NTS

ALL DIMENSIONS FOR REFERENCE ONLY  
 DIMENSIONS ARE IN MILLIMETERS

SHEET 1 of 1  
 REV: B