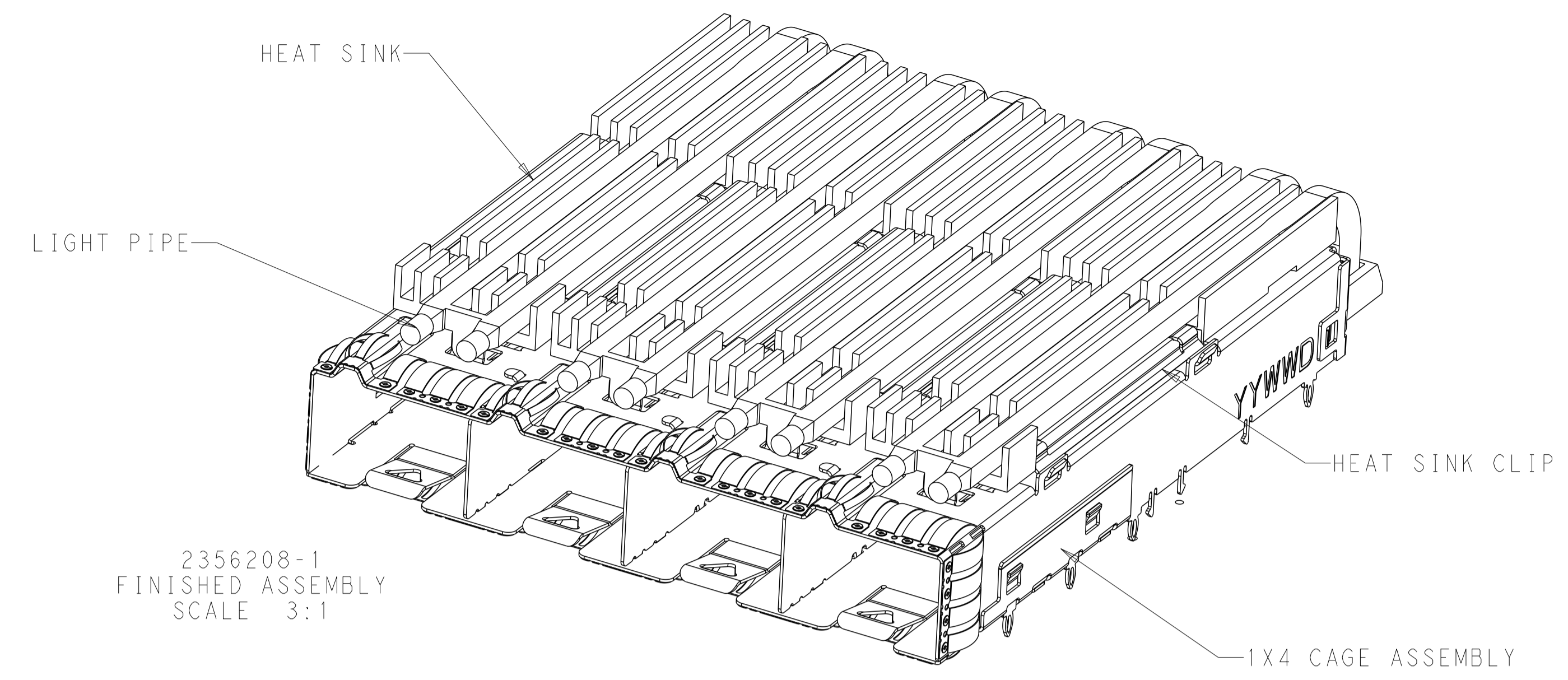
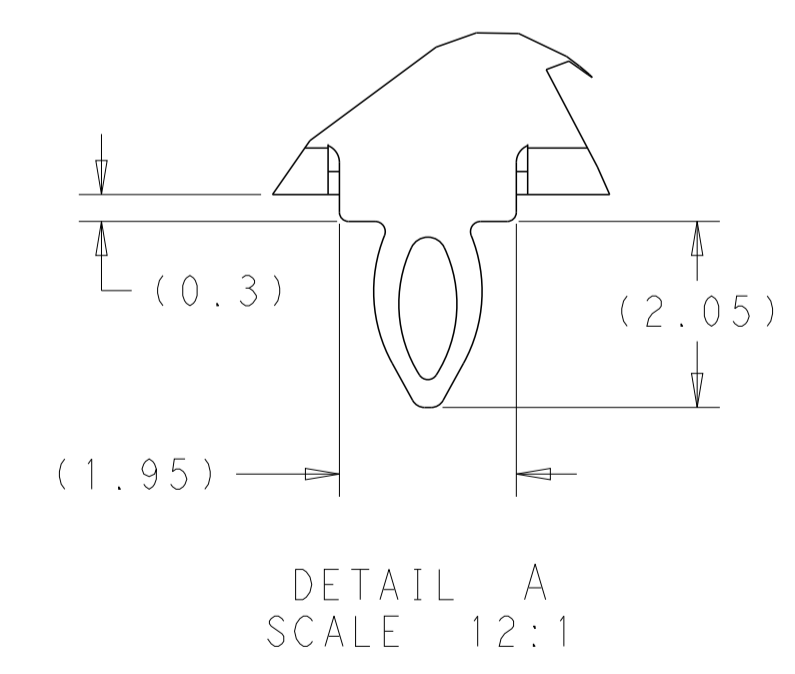
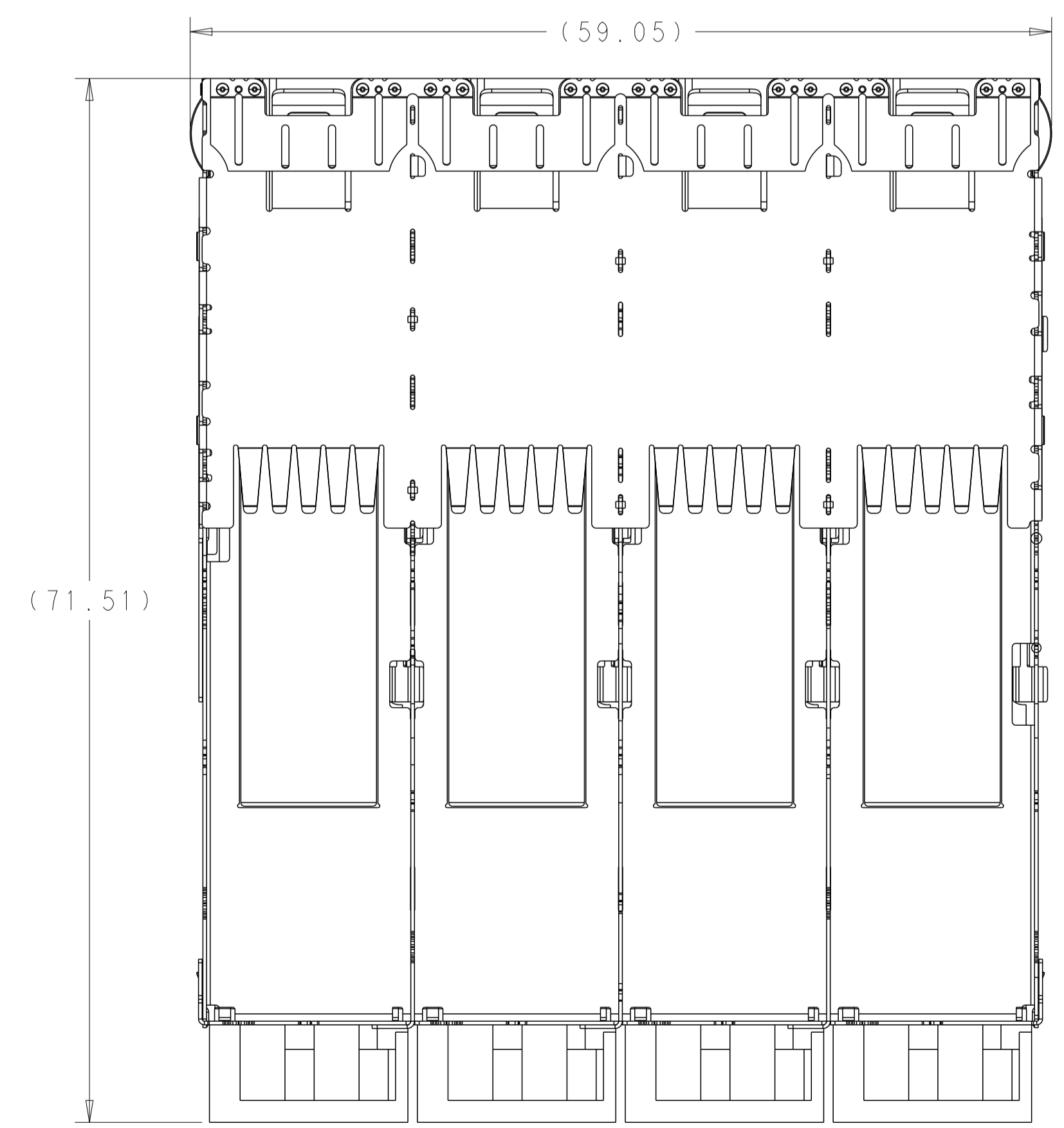
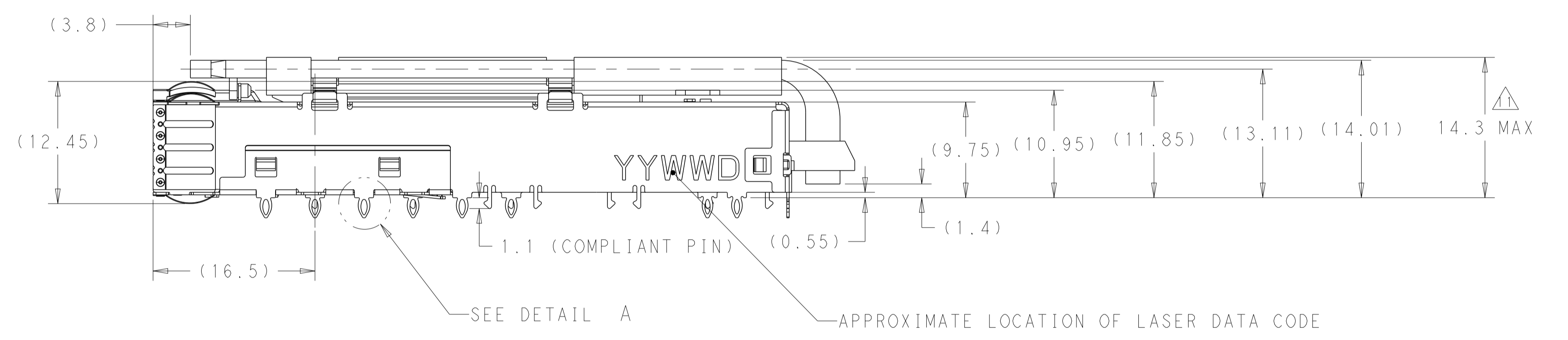
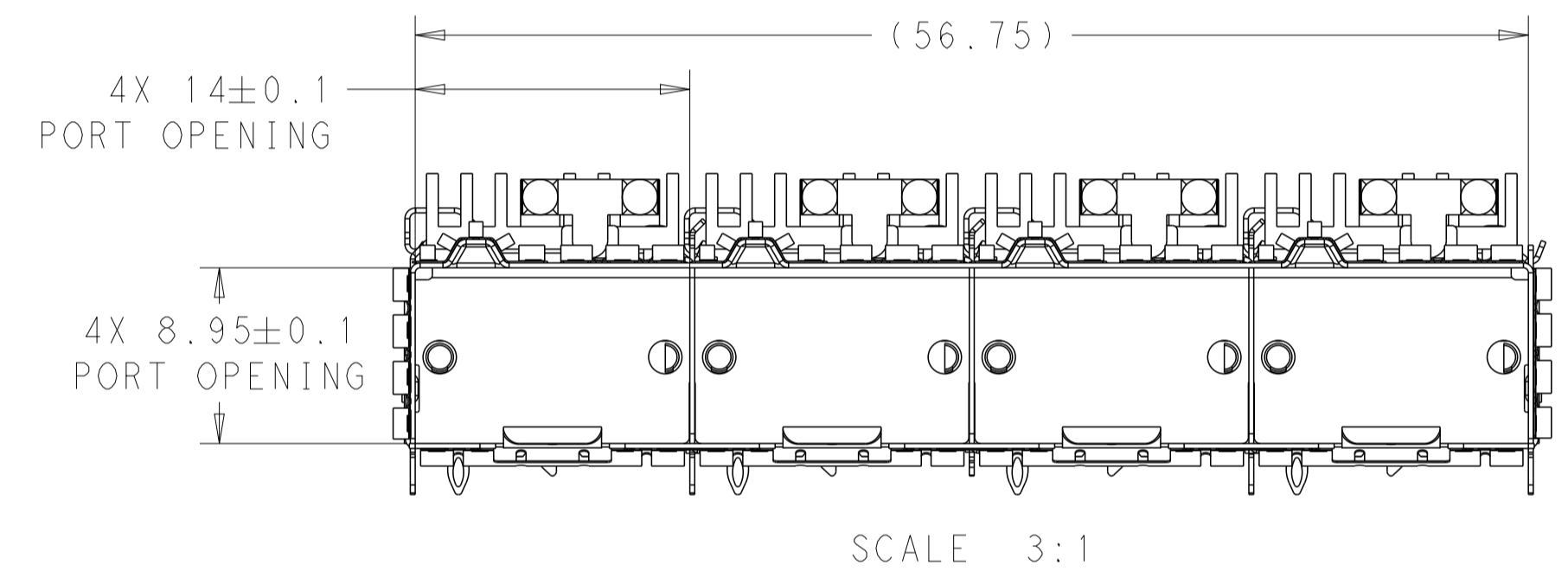


LOC	DIST	REVISIONS			
GP	00	REV	DATE	BY	CHK
		A	16 JAN 2021	VL	SZH
		A1	20 DEC 2021	AJ	SZ



- CAGE: 0.25mm THICK STAINLESS STEEL  
 EMI SPRINGS: COPPER ALLOY  
 HEAT SINK: ALUMINUM  
 HEAT SINK CLIP: STAINLESS STEEL  
 LIGHT PIPE: CLEAR POLYCARBONATE
  - FINISH:  
 SPRINGS: 0.8um NICKEL. NON-PLATED EDGES PERMISSIBLE.  
 HEAT SINK: SEE TABLE
  - MATES WITH SFP-DD MSA COMPLIANT TRANSCEIVERS.
  - INTERPRETATION OF DATUM REFERENCE FRAME IN ACCORDANCE WITH SECT 4.4.1.1 OF ASME Y14.5M-1994.
  - MINIMUM PC BOARD THICKNESS:  
 SINGLE SIDED = 1.57mm  
 DOUBLE SIDED = 2.20mm
- △ DATUM AND BASIC DIMENSION ESTABLISHED BY CUSTOMER.
- △ REFERENCE APPLICATION SPEC. 114-60027, HOLE A, FOR RECOMMENDED DRILL HOLE DIAMETER AND PLATING THICKNESS.
- △ REFERENCE APPLICATION SPEC. 114-60027, HOLE B, FOR RECOMMENDED DRILL HOLE DIAMETER AND PLATING THICKNESS.
- △ HOLE PATTERN REPEATS FOR EACH PORT. SPACING BETWEEN PORTS IS 14.25mm.
10. DATUM **-A-** IS TOP SURFACE OF THE HOST BOARD.
- △ HEAT SINK HEIGHT IS APPLIED AFTER MODULE INSERTED.



PIN	WITH	BLACK ANODIZATION	2356208-4
BLADE	WITHOUT	NICKLE PLATING	1-2356208-1
BLADE	WITH	BLACK ANODIZATION	2356208-3
BLADE	WITH	BLACK ANODIZATION	2356208-2
BLADE	WITH	NICKLE PLATING	2356208-1
HEAT SINK TYPE	LP	HEAT SINK FINISH	PART NUMBER

THIS DRAWING IS A CONTROLLED DOCUMENT. DWG: VINDY LIU 08MAY2019  
 CHK: SEAN HAN 08MAY2019  
 APVD: SEAN HAN

STE TE Connectivity

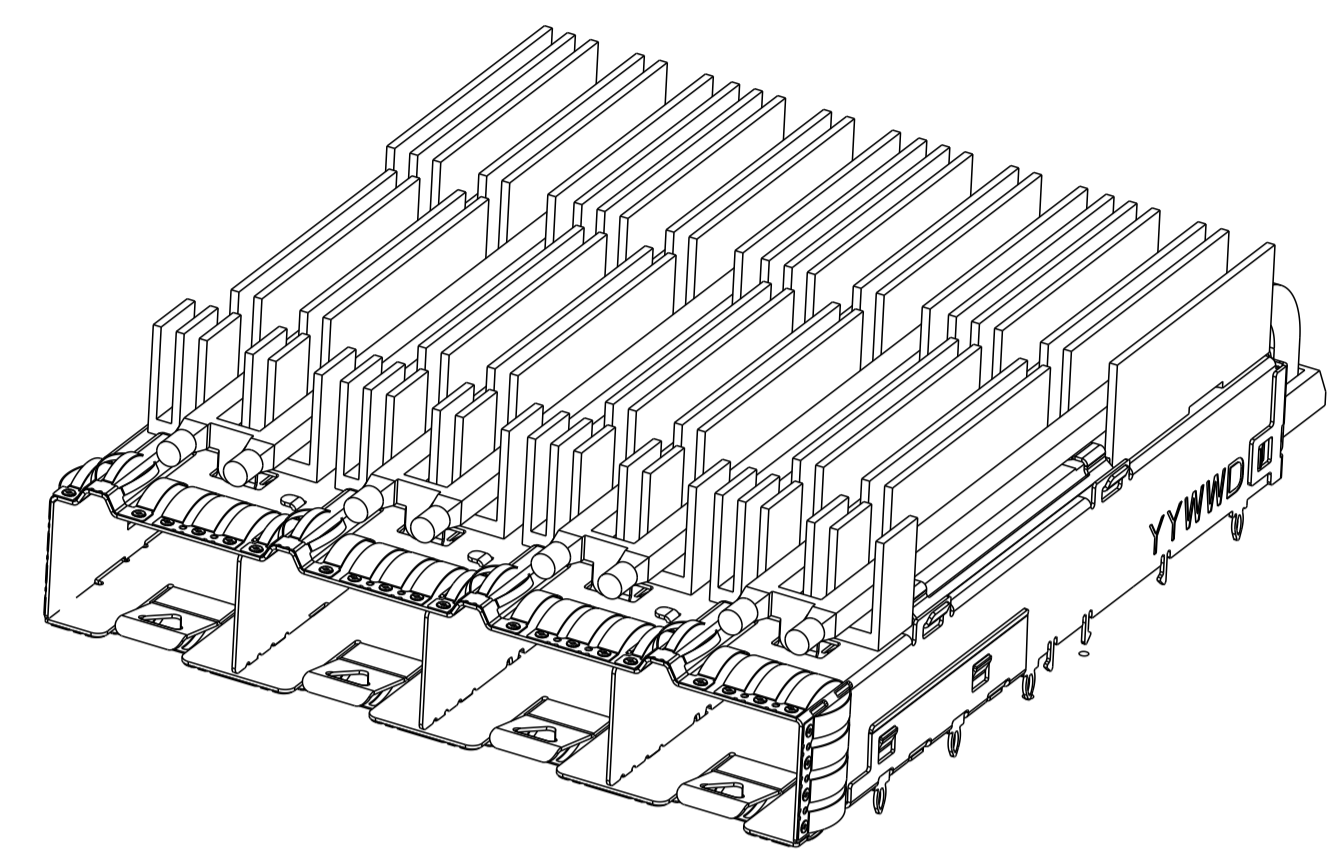
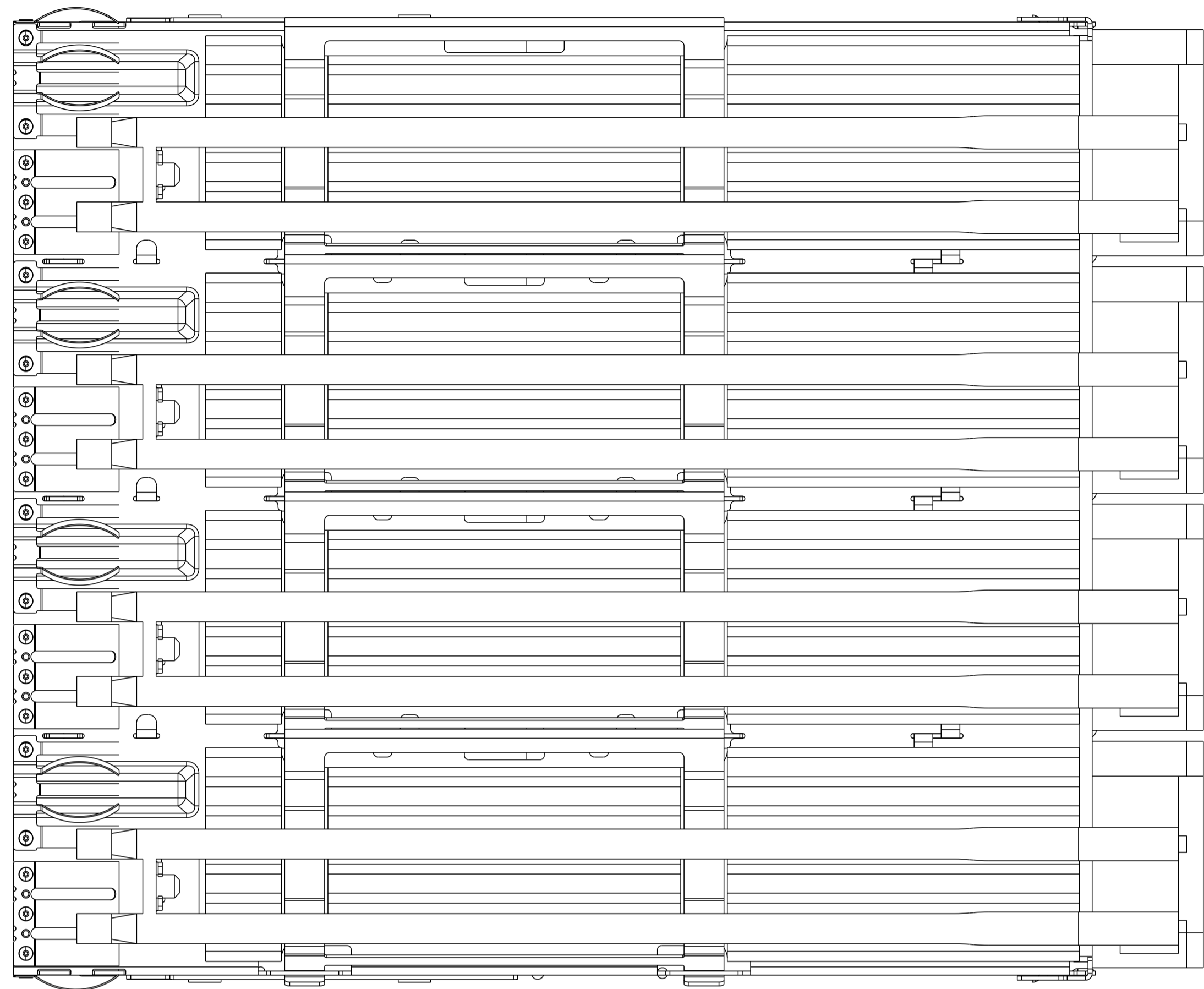
NAME: SFPDD 1X4 CAGE ASSEMBLY W/LP HS PRESS-FIT, EXTERNAL EMI SPRINGS

PRODUCT SPEC: 108-60128  
 APPLICATION SPEC: 114-60027

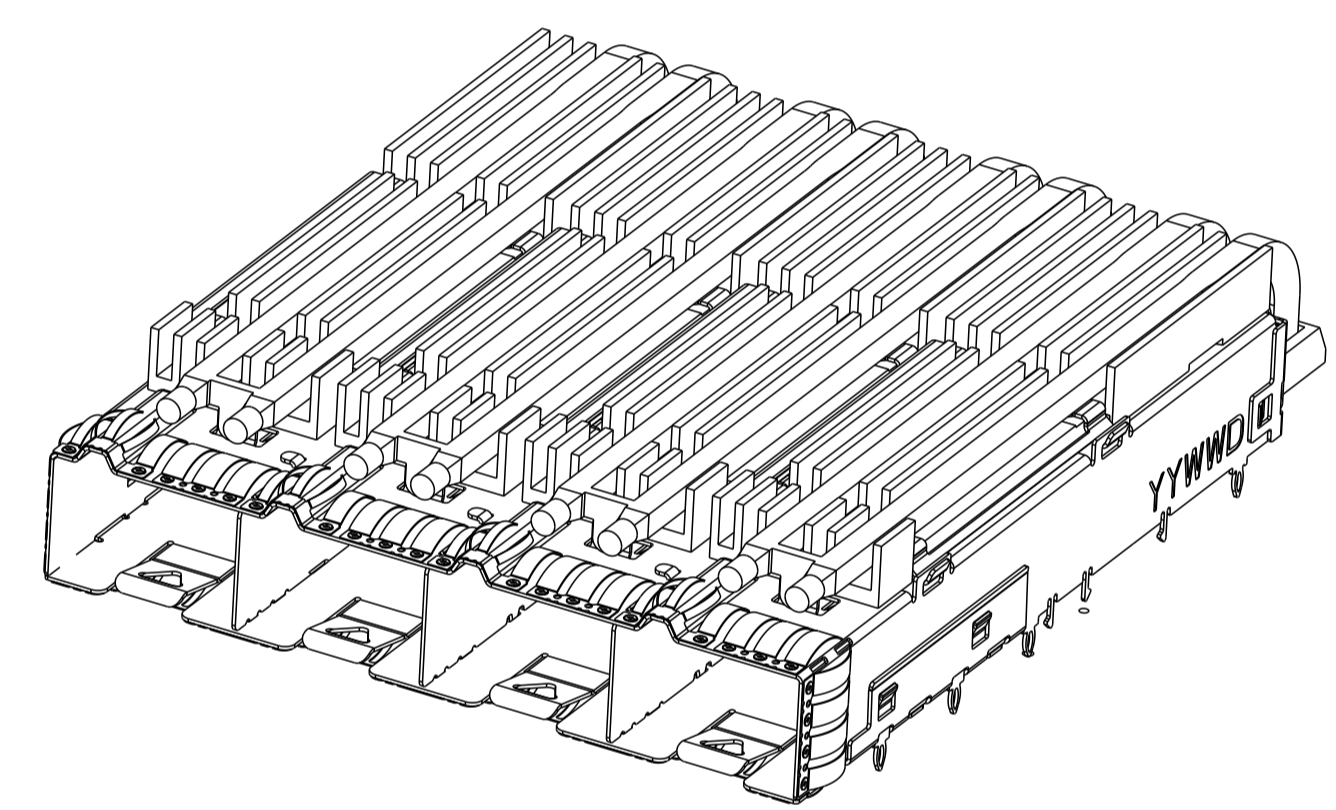
SIZE: A1 CAGE CODE: 00779 DRAWING NO: 2356208  
 WEIGHT: -

CUSTOMER DRAWING SCALE: 1:1 SHEET 1 OF 6 REV: A1

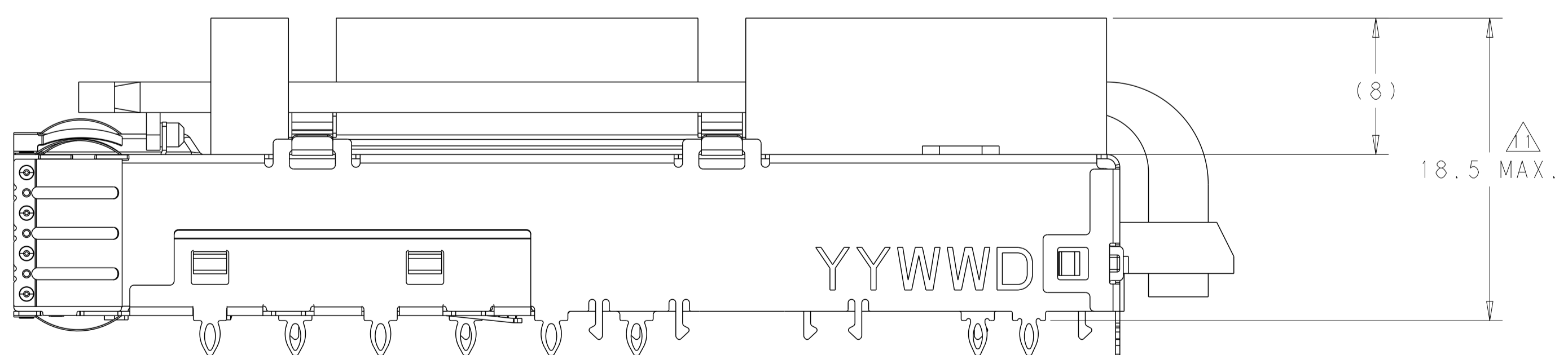
LOC		DIST		REVISIONS			
GP	00	P	LYR	DESCRIPTION	DATE	OWN	APVD
		-		SEE SHEET 1			



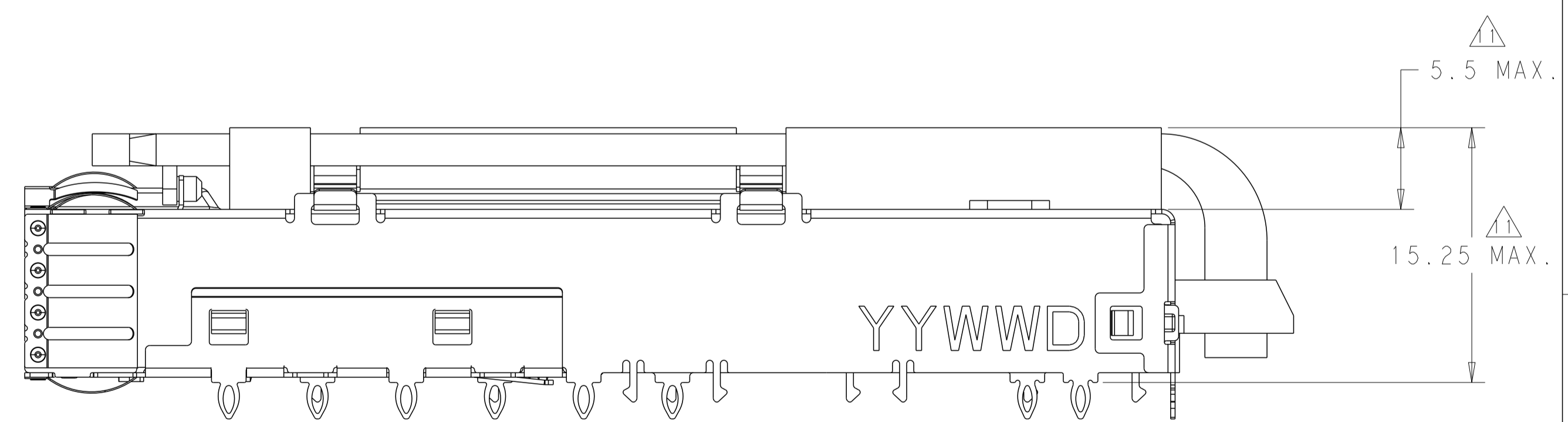
2356208-2 AS SHOWN  
SCALE 2:1



2356208-3 AS SHOWN  
SCALE 2:1



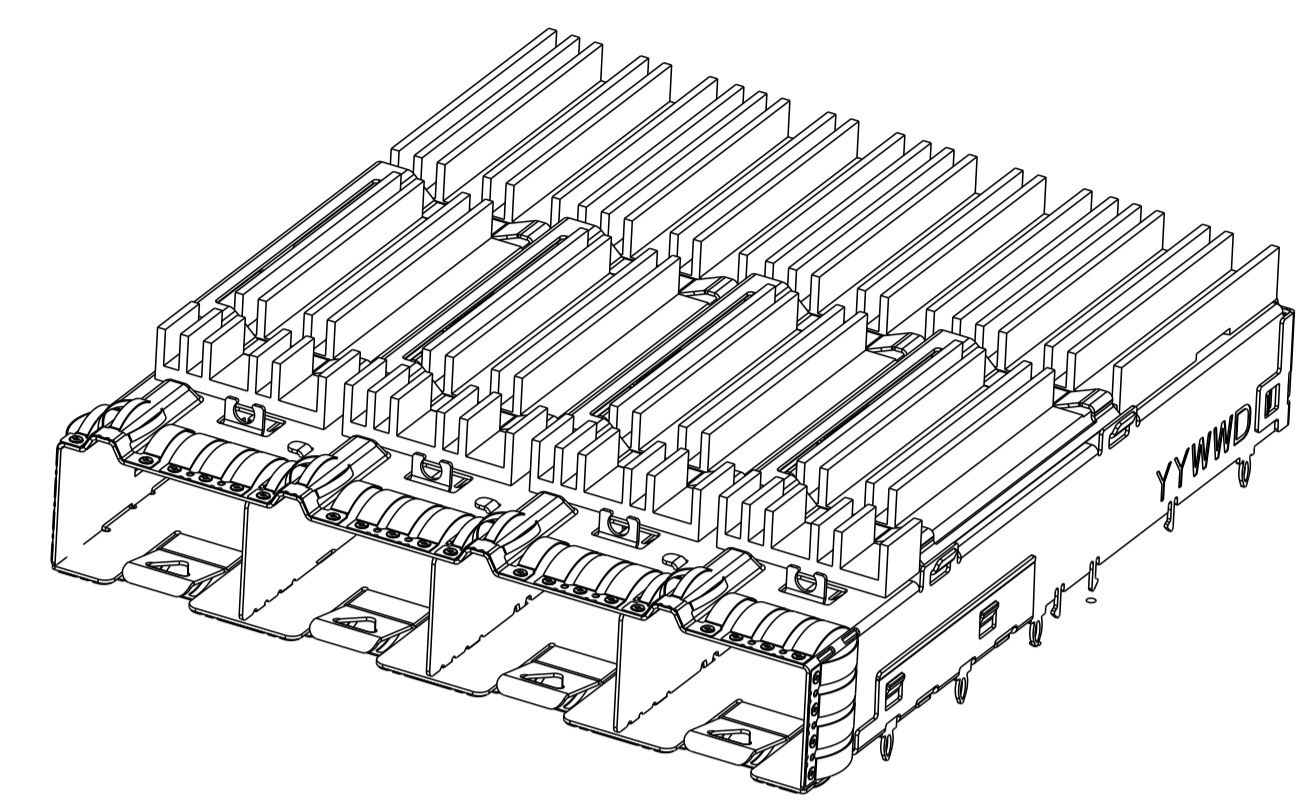
2356208-2 AS SHOWN  
UNSPECIFIED DIMENSION SAME AS -1  
SCALE 4:1



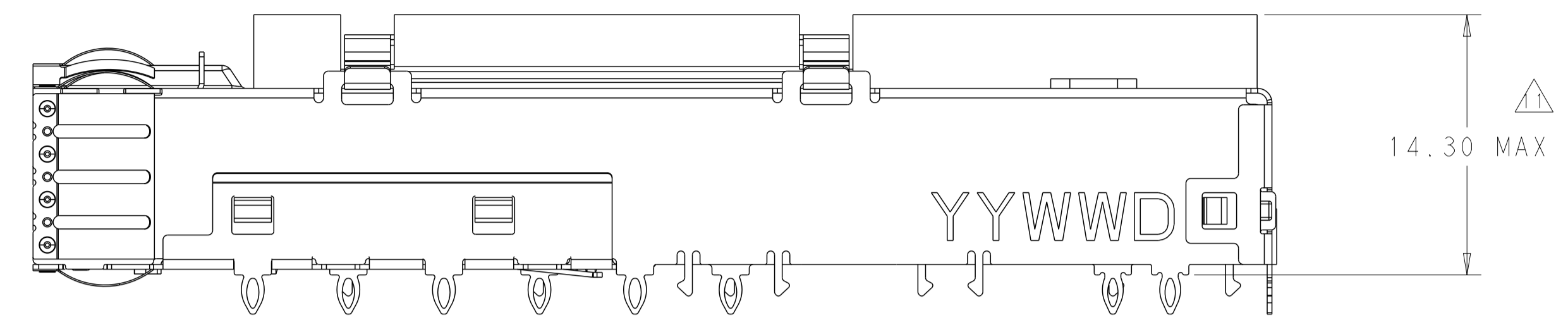
2356208-3 AS SHOWN  
UNSPECIFIED DIMENSION SAME AS -1  
SCALE 4:1

THIS DRAWING IS A CONTROLLED DOCUMENT.		OWN: VINDY LIU 08MAY2019	TE Connectivity
DIMENSIONS: mm		CHK: SEAN HAN 08MAY2019	
TOLERANCES UNLESS OTHERWISE SPECIFIED:		APVD:	NAME: SFPDD 1X4 CAGE ASSEMBLY W/LP HS PRESS-FIT, EXTERNAL EMI SPRINGS
0 PLC	±0.25	PRODUCT SPEC	108-60128
1 PLC	±0.25	APPLICATION SPEC	114-60027
2 PLC	±0.20	SIZE: A1	CAGE CODE: 00779
3 PLC	±0.20	DRAWING NO: C=2356208	RESTRICTED TO: -
4 PLC	±0.20	WEIGHT: -	SCALE: 1:1
ANGLES	±	CUSTOMER DRAWING	SHEET 2 OF 6
FINISH	-		REV: A1

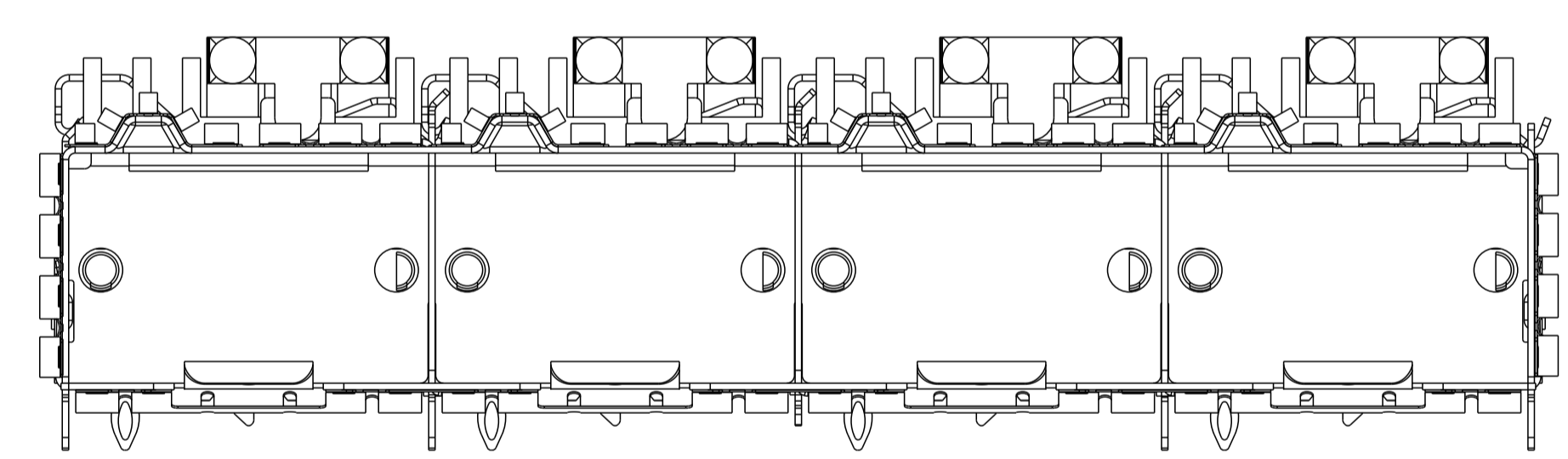
LOC	DIST	REVISIONS			
P	LYR	DESCRIPTION	DATE	OWN	APVD
-	-	SEE SHEET 1	-	-	-



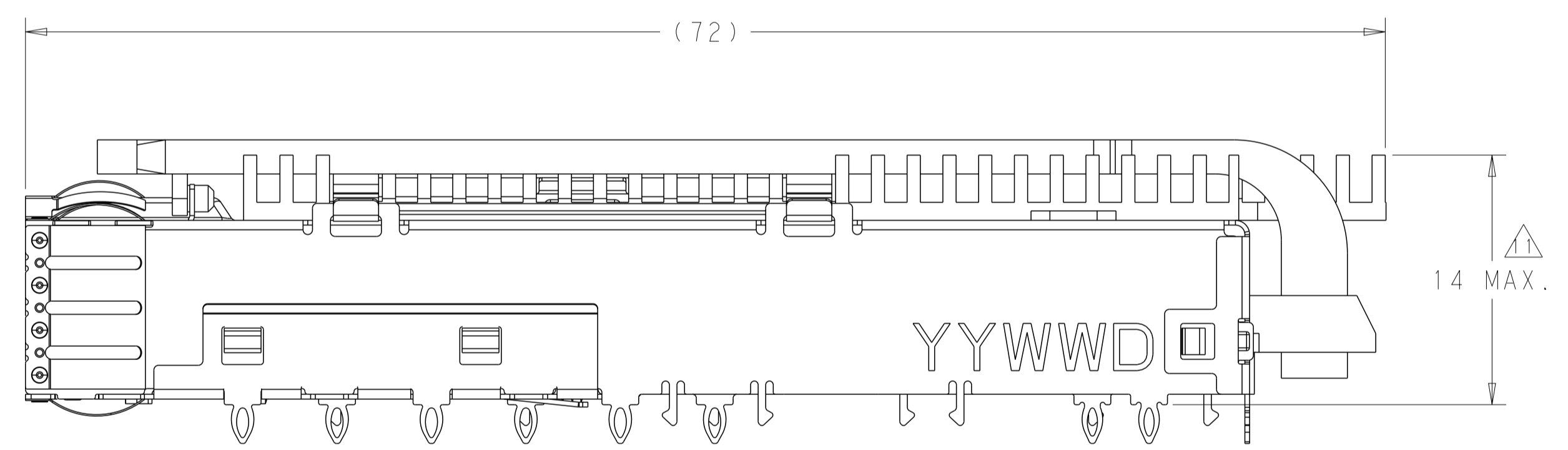
1-2356208-1  
SCALE 2:1



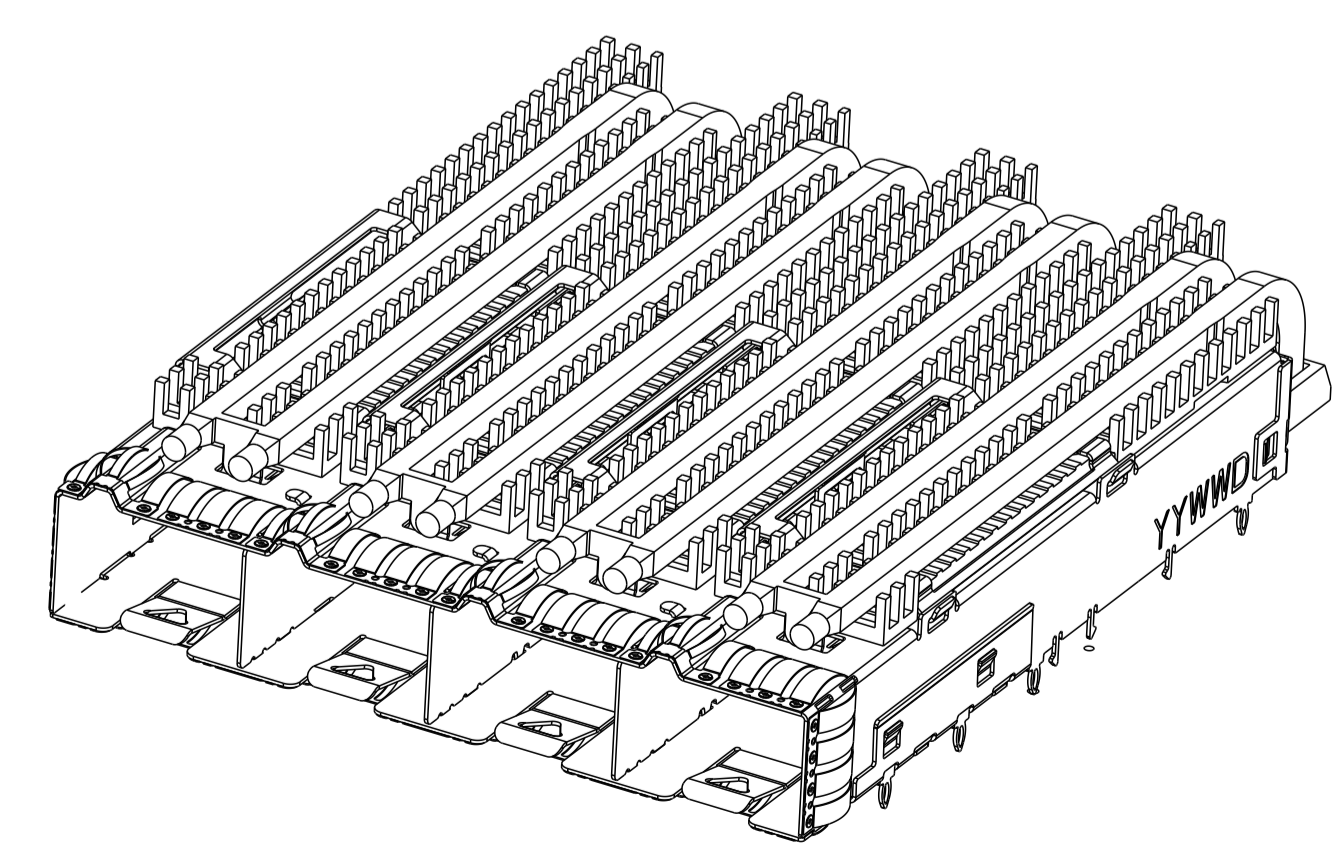
1-2356208-1 IS SAME AS 2356208-1 EXCEPT WITHOUT LP  
SCALE 4:1



2356208-4  
SCALE 2:1

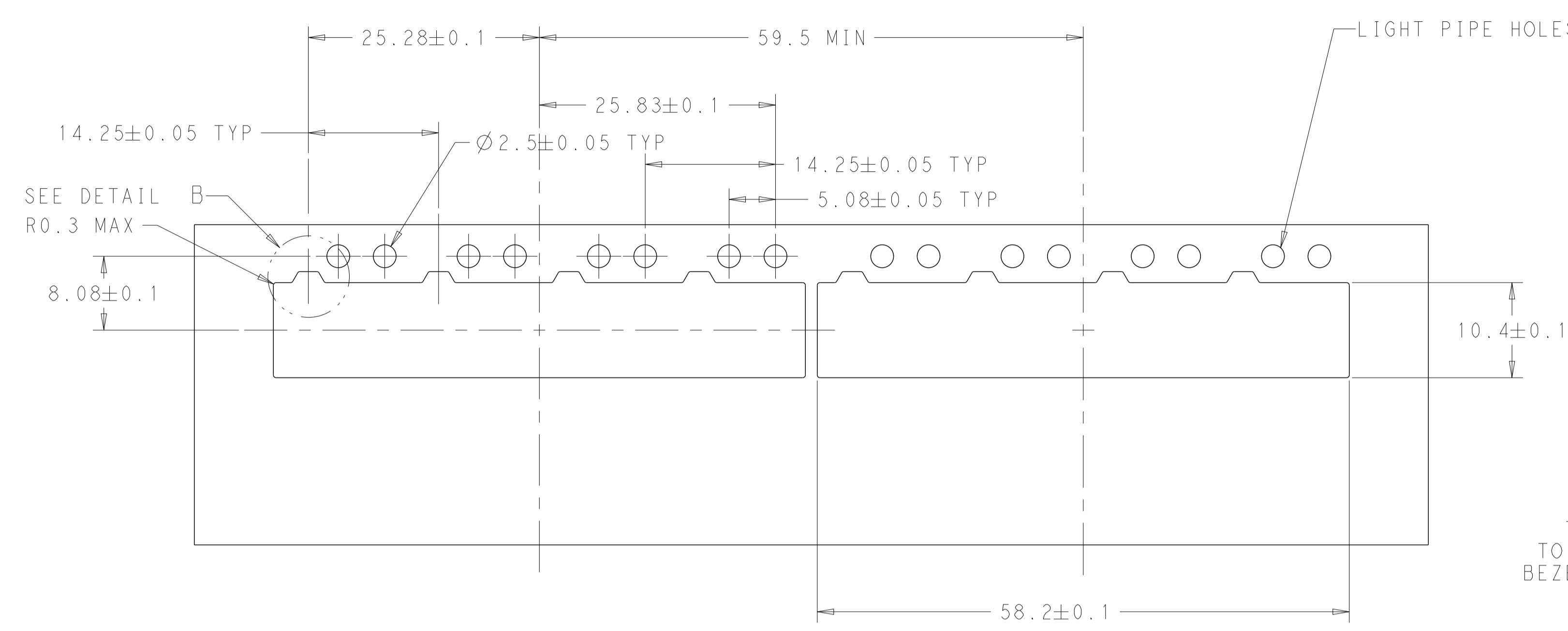


2356208-4 AS SHOWN WITH PIN HEAT SINK  
UNSPECIFIED DIMENSIONS ARE SAME AS -1  
SCALE 4:1

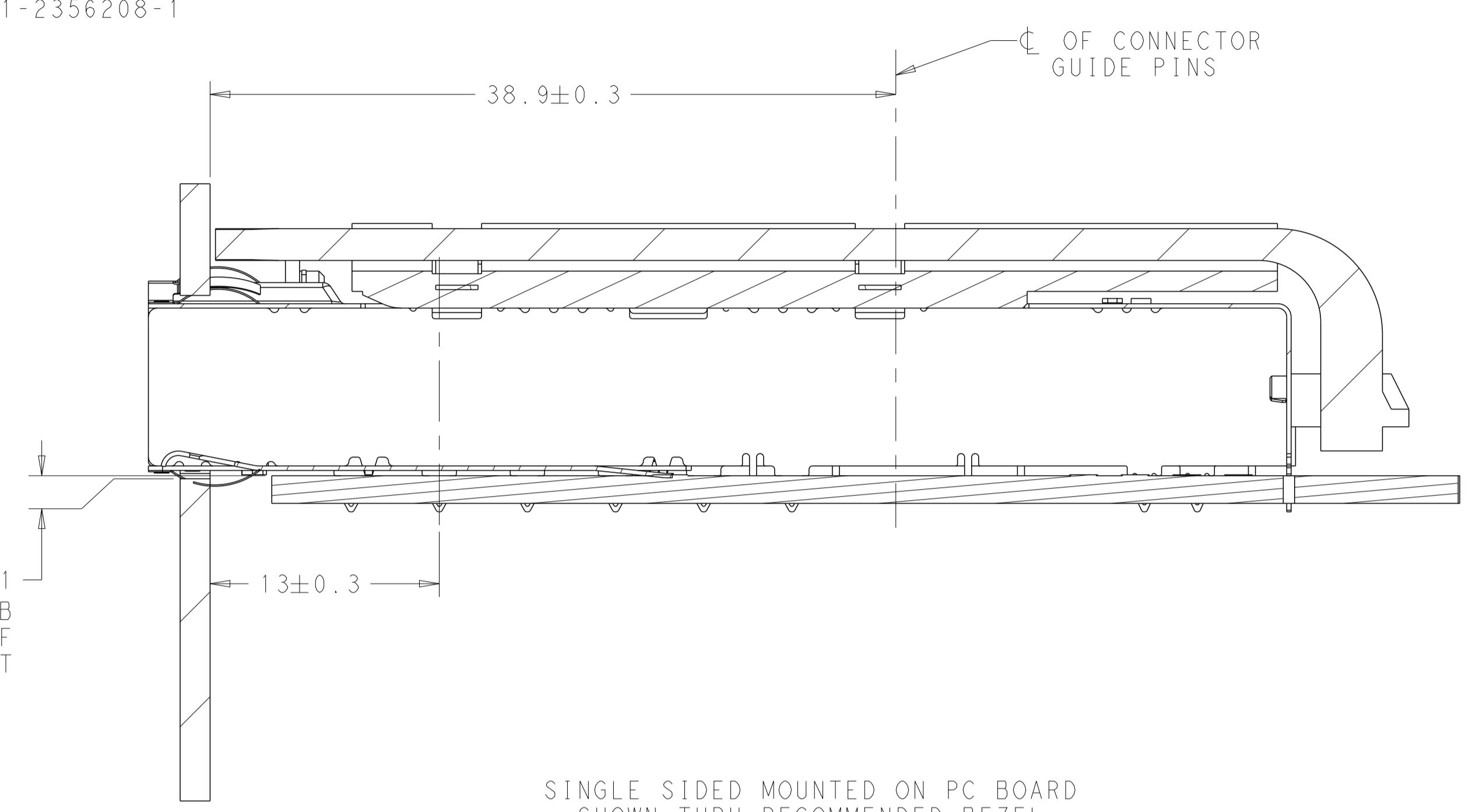


THIS DRAWING IS A CONTROLLED DOCUMENT.		OWN: VINDY LIU 08MAY2019	TE Connectivity
		CHK: SEAN HAN 08MAY2019	
DIMENSIONS:		APVD:	NAME:
mm	0 PLC ±0.25 1 PLC ±0.25 2 PLC ±0.20 3 PLC ±0.20 4 PLC ±0.20	PRODUCT SPEC: 108-60128	SFPDD 1X4 CAGE ASSEMBLY W/LP HS PRESS-FIT, EXTERNAL EMI SPRINGS
		APPLICATION SPEC: 114-60027	RESTRICTED TO:
MATERIAL:		WEIGHT:	SIZE: A1
FINISH:		CUSTOMER DRAWING	CAGE CODE: 100779 DRAWING NO: C=2356208
		SCALE: 1:1	SHEET 3 OF 6 REV: A1

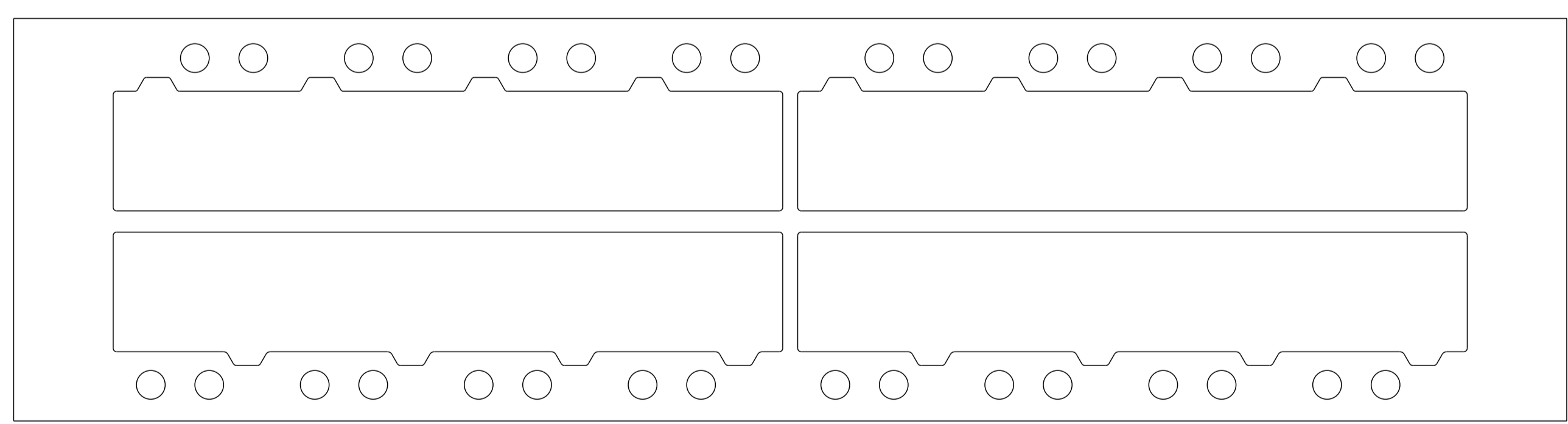
LOC	DIST	REVISIONS					
GP	00	P	LTN	DESCRIPTION	DATE	DMN	APVD
-	-	-	-	SEE SHEET 1	-	-	-



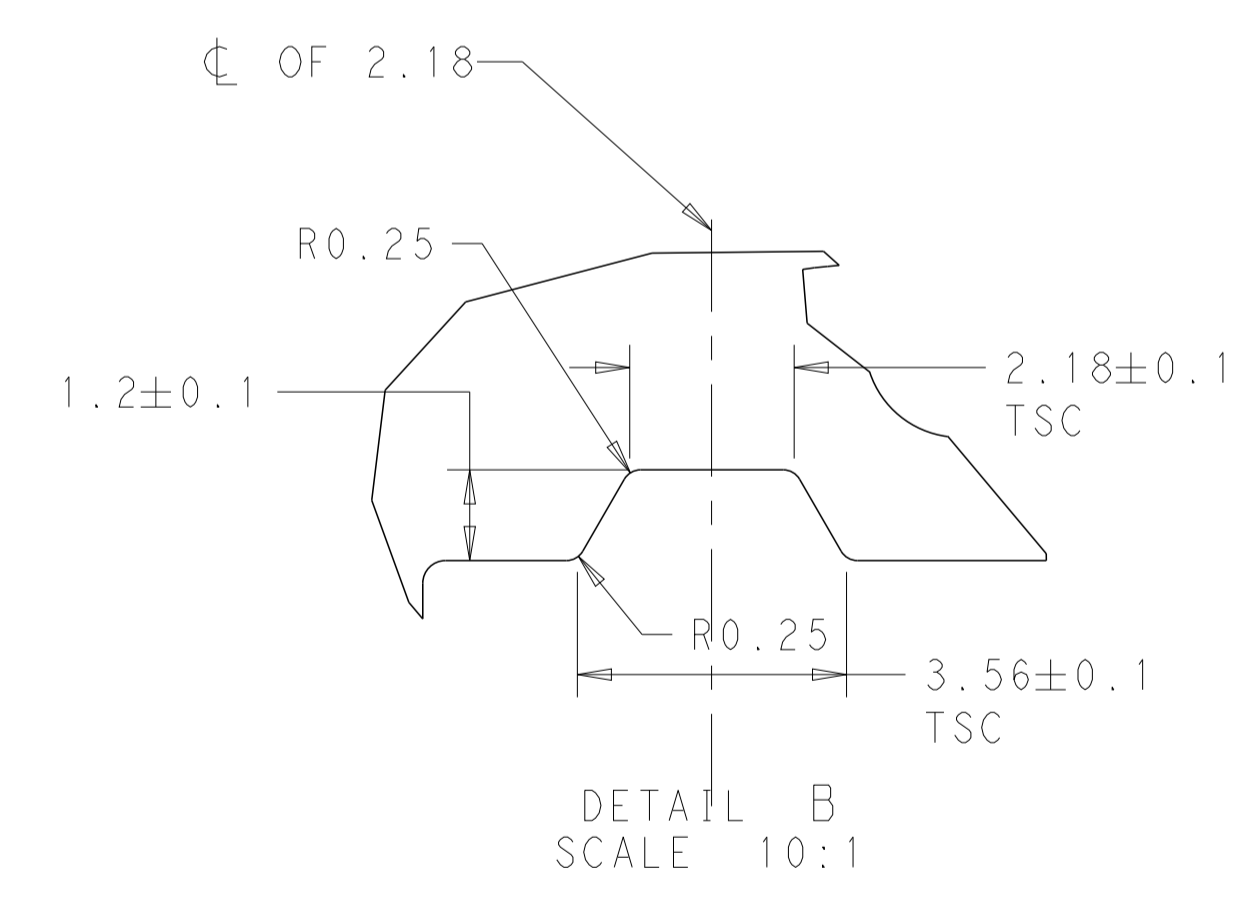
RECOMMENDED BEZEL CUT-OUT  
SINGLE SIDED APPLICATIONS  
SCALE 5:2



SINGLE SIDED MOUNTED ON PC BOARD  
SHOWN THRU RECOMMENDED BEZEL  
SECTION BEZEL-BEZEL  
SCALE 4:1



RECOMMENDED BEZEL CUT-OUT  
BELLY TO BELLY APPLICATIONS  
SCALE 5:2

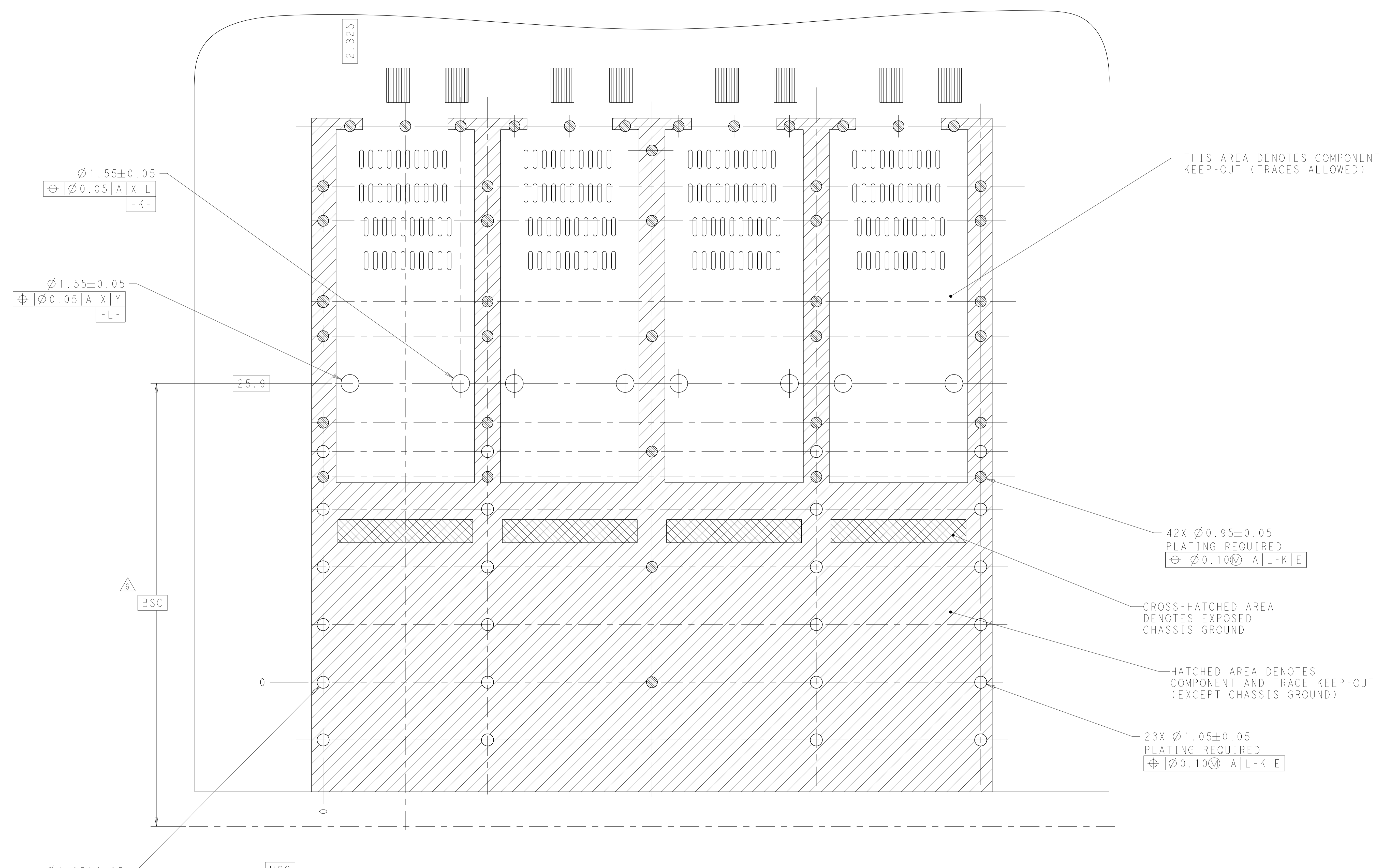


DETAIL B  
SCALE 10:1

THIS DRAWING IS A CONTROLLED DOCUMENT.		DMN: VINDY LIU 08MAY2019	TE Connectivity
		CHK: SEAN HAN 08MAY2019	
DIMENSIONS:	TOLERANCES UNLESS OTHERWISE SPECIFIED:	APVD:	NAME:
mm	0 PLC ±0.25	PRODUCT SPEC:	SFPDD 1X4 CAGE ASSEMBLY W/LP HS
	1 PLC ±0.25	APPLICATION SPEC:	PRESS-FIT, EXTERNAL EMI SPRINGS
	2 PLC ±0.20	SIZE:	108-60128
	3 PLC ±0.20	CAGE CODE:	114-60027
	4 PLC ±	DRAWING NO:	A100779C=2356208
	ANGLES ±	RESTRICTED TO:	-
MATERIAL:	FINISH:	WEIGHT:	SCALE: 1:1
		CUSTOMER DRAWING	SHEET 4 OF 6



LOC	DIST	REVISIONS					
GP	00	P	LTN	DESCRIPTION	DATE	DWN	APVD
-	-	-	-	SEE SHEET 1	-	-	-



$\varnothing 1.55 \pm 0.05$   
 $\varnothing 0.05$  | A | X | L  
 -K-

$\varnothing 1.55 \pm 0.05$   
 $\varnothing 0.05$  | A | X | Y  
 -L-

$\varnothing 1.05 \pm 0.05$   
 PLATING REQUIRED  
 $\varnothing 0.10$  | A | L - K | E  
 -E-

THIS AREA DENOTES COMPONENT KEEP-OUT (TRACES ALLOWED)

42X  $\varnothing 0.95 \pm 0.05$   
 PLATING REQUIRED  
 $\varnothing 0.10$  | A | L - K | E

CROSS-HATCHED AREA DENOTES EXPOSED CHASSIS GROUND

HATCHED AREA DENOTES COMPONENT AND TRACE KEEP-OUT (EXCEPT CHASSIS GROUND)

23X  $\varnothing 1.05 \pm 0.05$   
 PLATING REQUIRED  
 $\varnothing 0.10$  | A | L - K | E

RECOMMENDED PCB CONFIGURATION WITH KEEP-OUTS FOR BELLY TO BELLY APPLICATIONS  
 SAME AS SINGLE SIDE APPLICATION, EXCEPT AS SHOWN  
 SCALE 6:1

THIS DRAWING IS A CONTROLLED DOCUMENT.		DWN: VINDY LIU 08MAY2019	 TE Connectivity
		CHK: SEAN HAN 08MAY2019	
DIMENSIONS: mm		APVD:	NAME:
0 PLC $\pm 0.25$ 1 PLC $\pm 0.25$ 2 PLC $\pm 0.20$ 3 PLC $\pm 0.20$ 4 PLC $\pm 0.20$ ANGLES $\pm$ FINISH		PRODUCT SPEC: 108-60128 APPLICATION SPEC: 114-60027 WEIGHT:	SFPDD 1X4 CAGE ASSEMBLY W/LP HS PRESS-FIT, EXTERNAL EMI SPRINGS SIZE: A1 CAGE CODE: 00779 DRAWING NO: C=2356208
MATERIAL:		RESTRICTED TO:	SCALE: 1:1 SHEET 6 OF 6 REV: A1