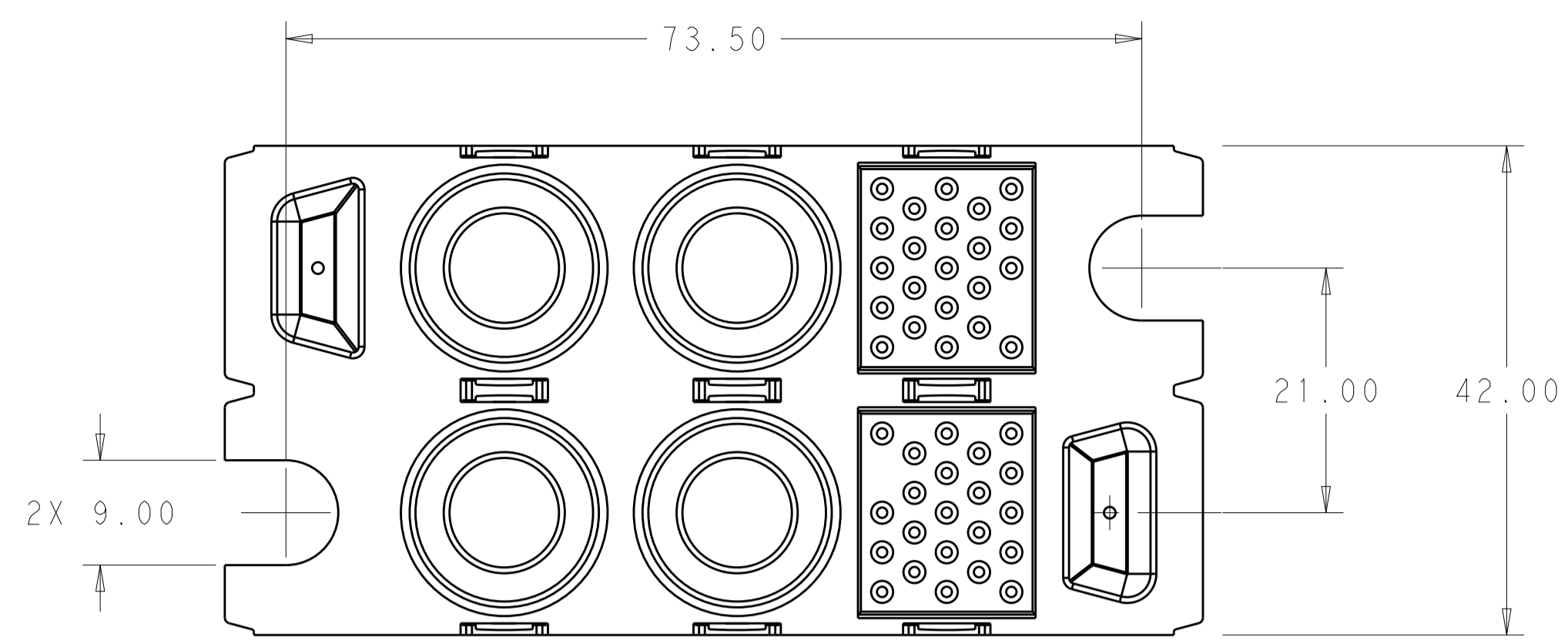
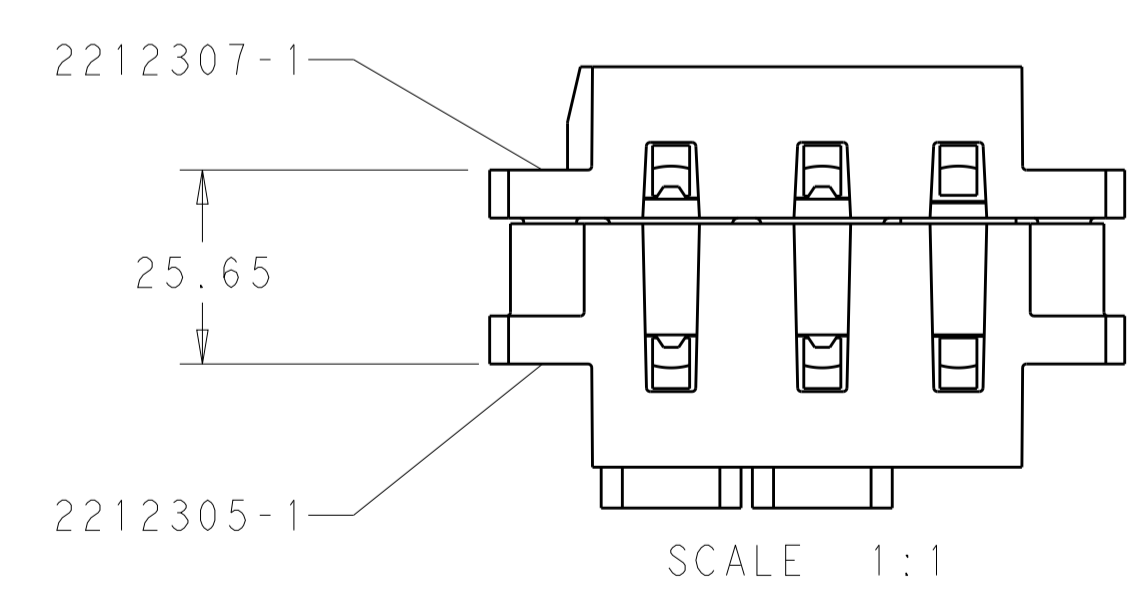
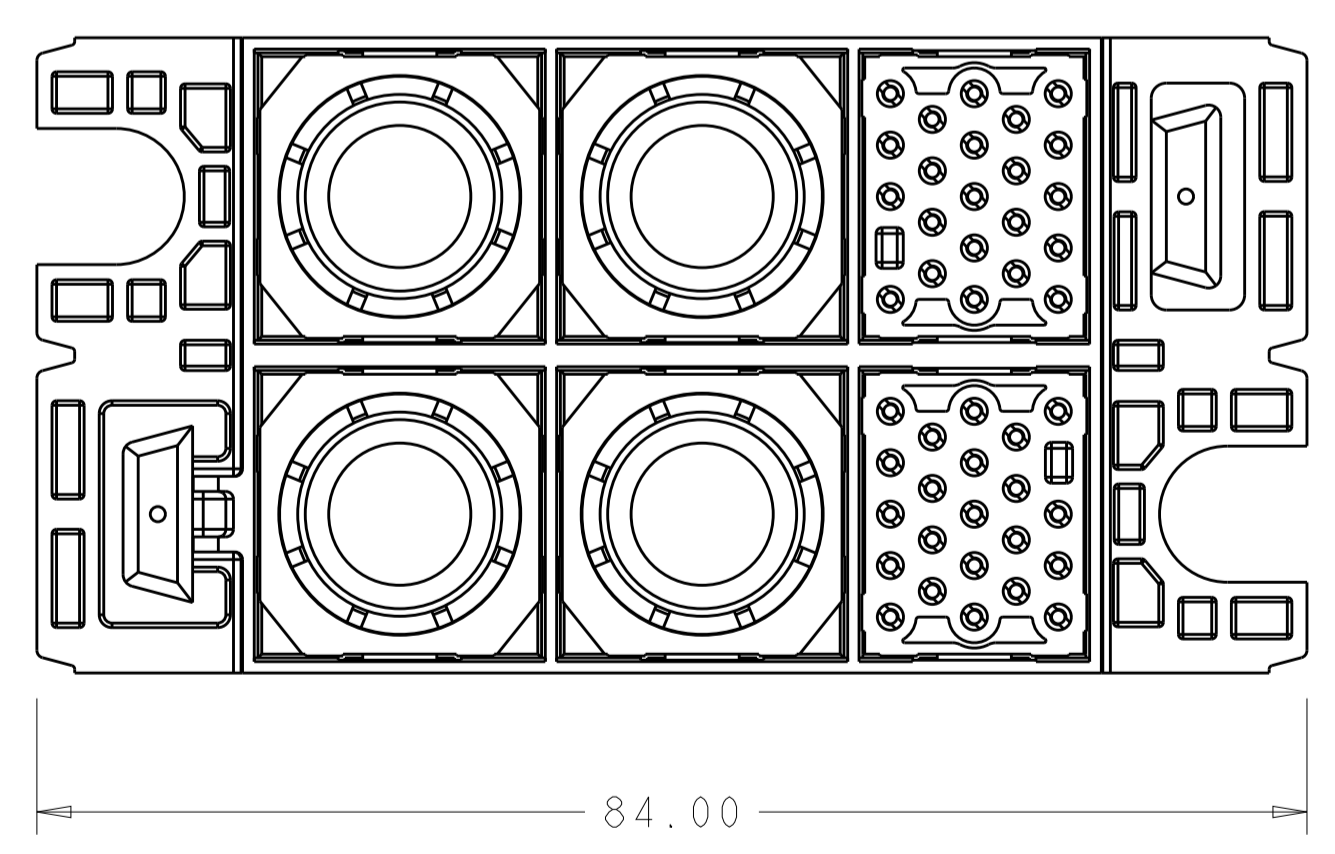
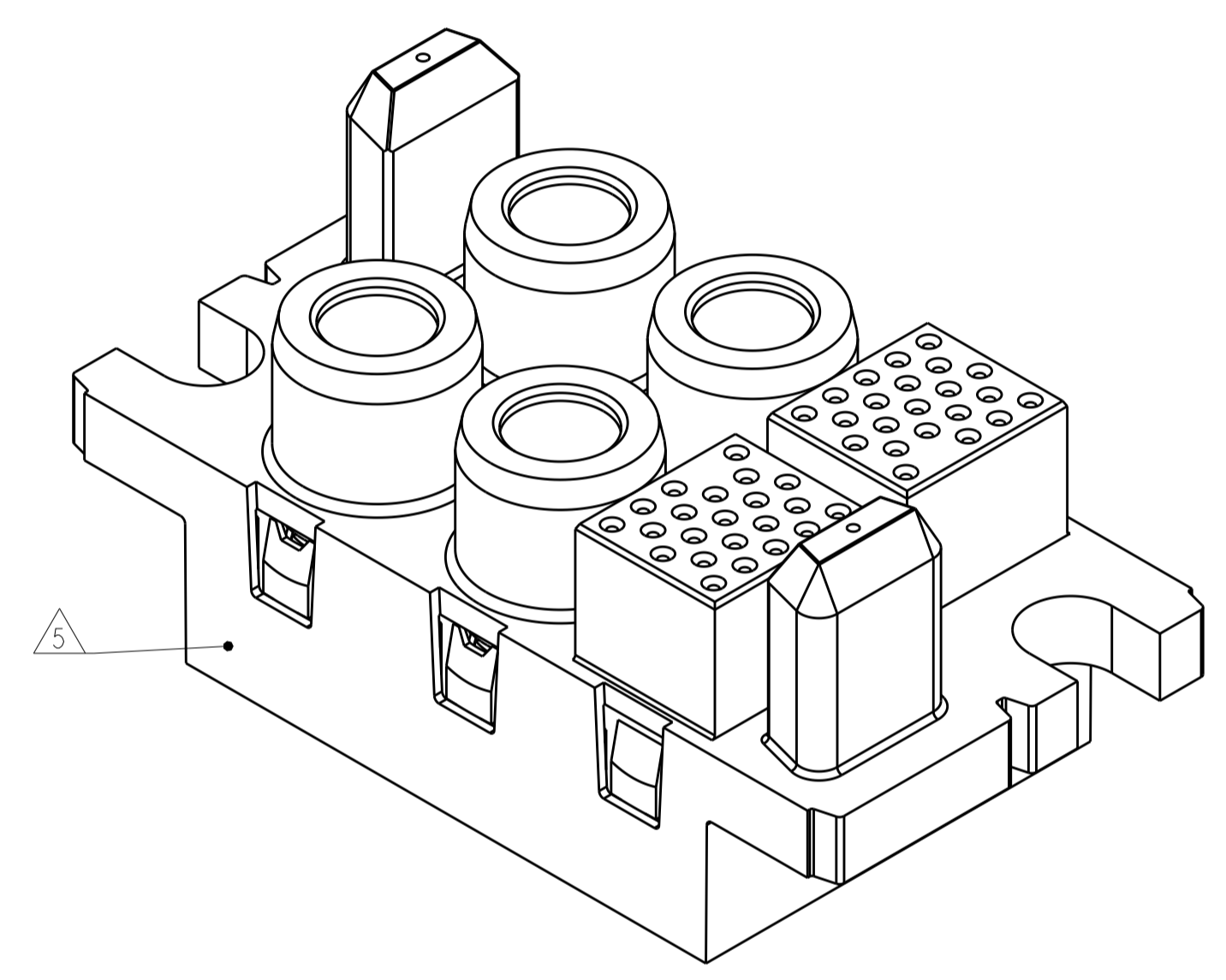
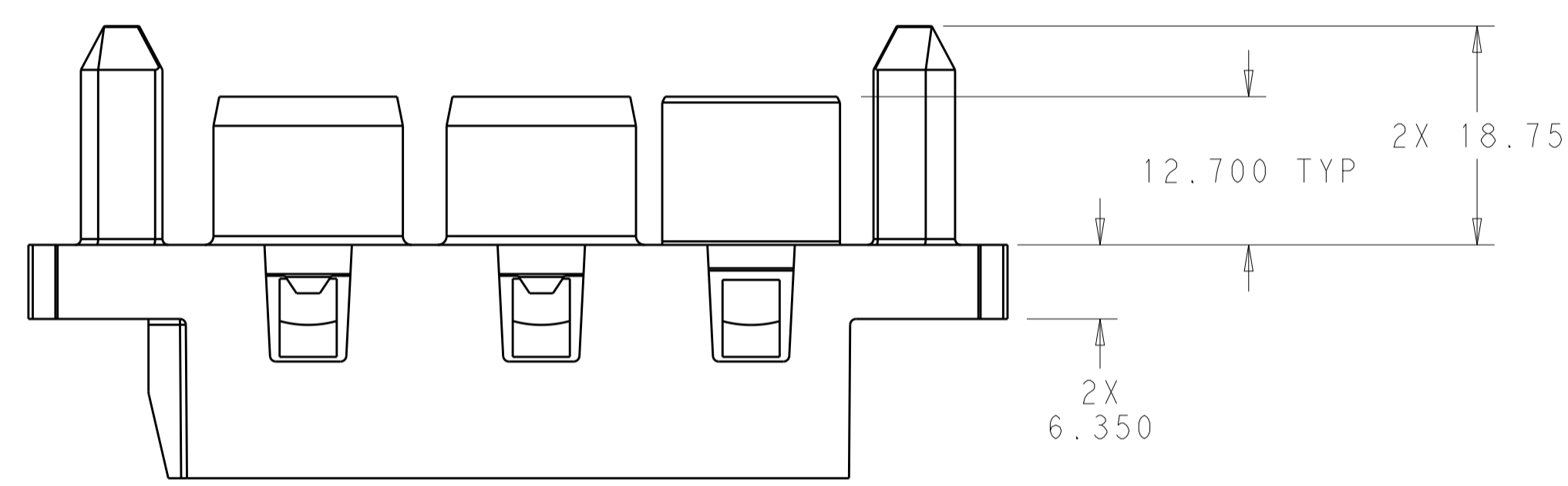
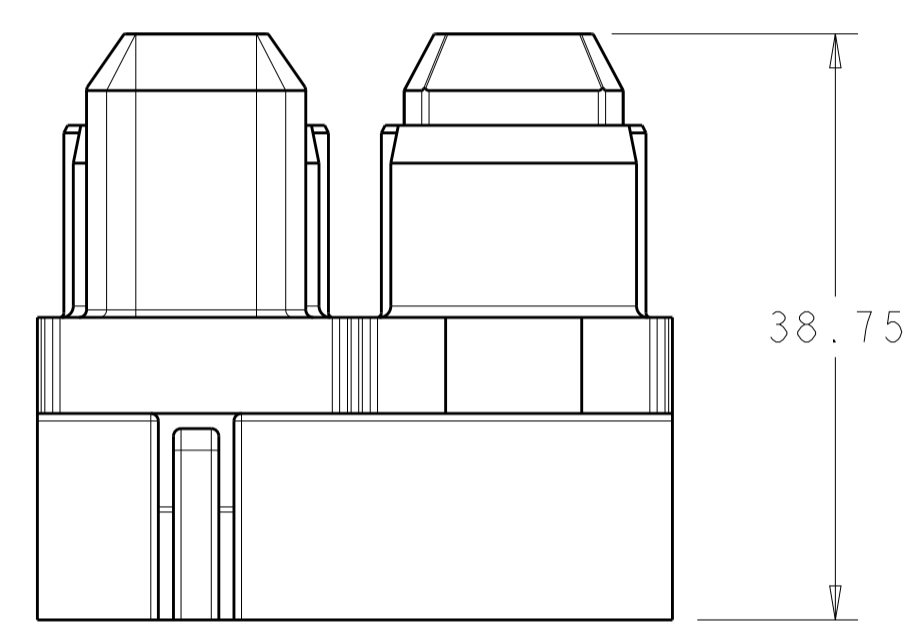


LOC		DIST		REVISIONS			
				REV	DATE	BY	APPV



- △ HOUSING: THERMOPLASTIC, COLOR BLACK, FLAMMABILITY RATING UL 94 V-0.
- △ THIS ASSEMBLY TO MATE WITH TEC PART NUMBER 2212305-1.
- 3. RECOMMENDED SHOULDER SCREW:
2212056, FLOAT MOUNT
2212055, FIXED MOUNT
- △ RECOMMENDED PANEL CUTOUT FOR FRONT PANEL MOUNT APPLICATION.
RECOMMENDED PANEL THICKNESS 1.5 TO 1.78.
- △ DATE CODE AND PART NUMBER IN APPROXIMATE AREA SHOWN.

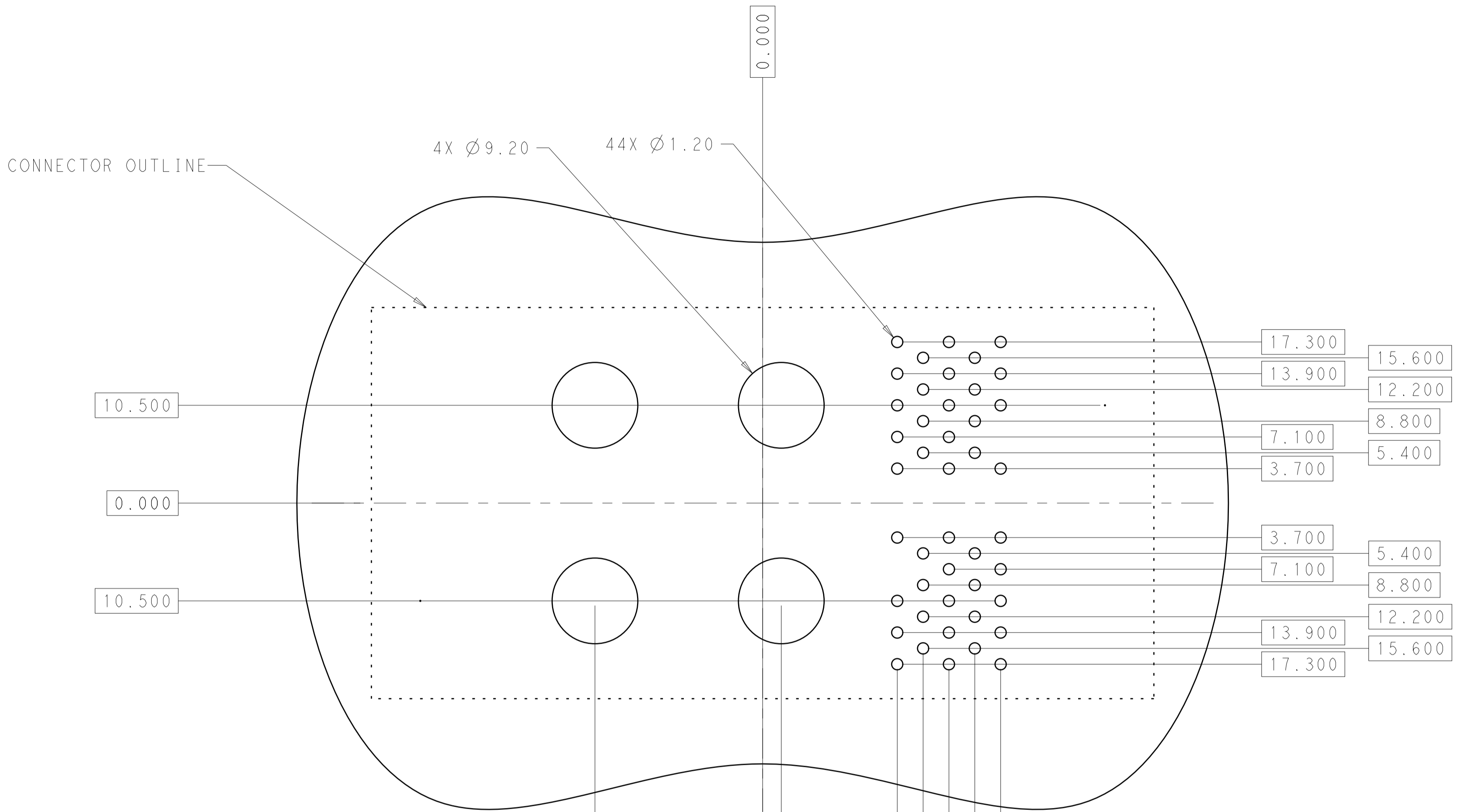


SCALE 1:1
 FULLY MATED ASSEMBLIES △

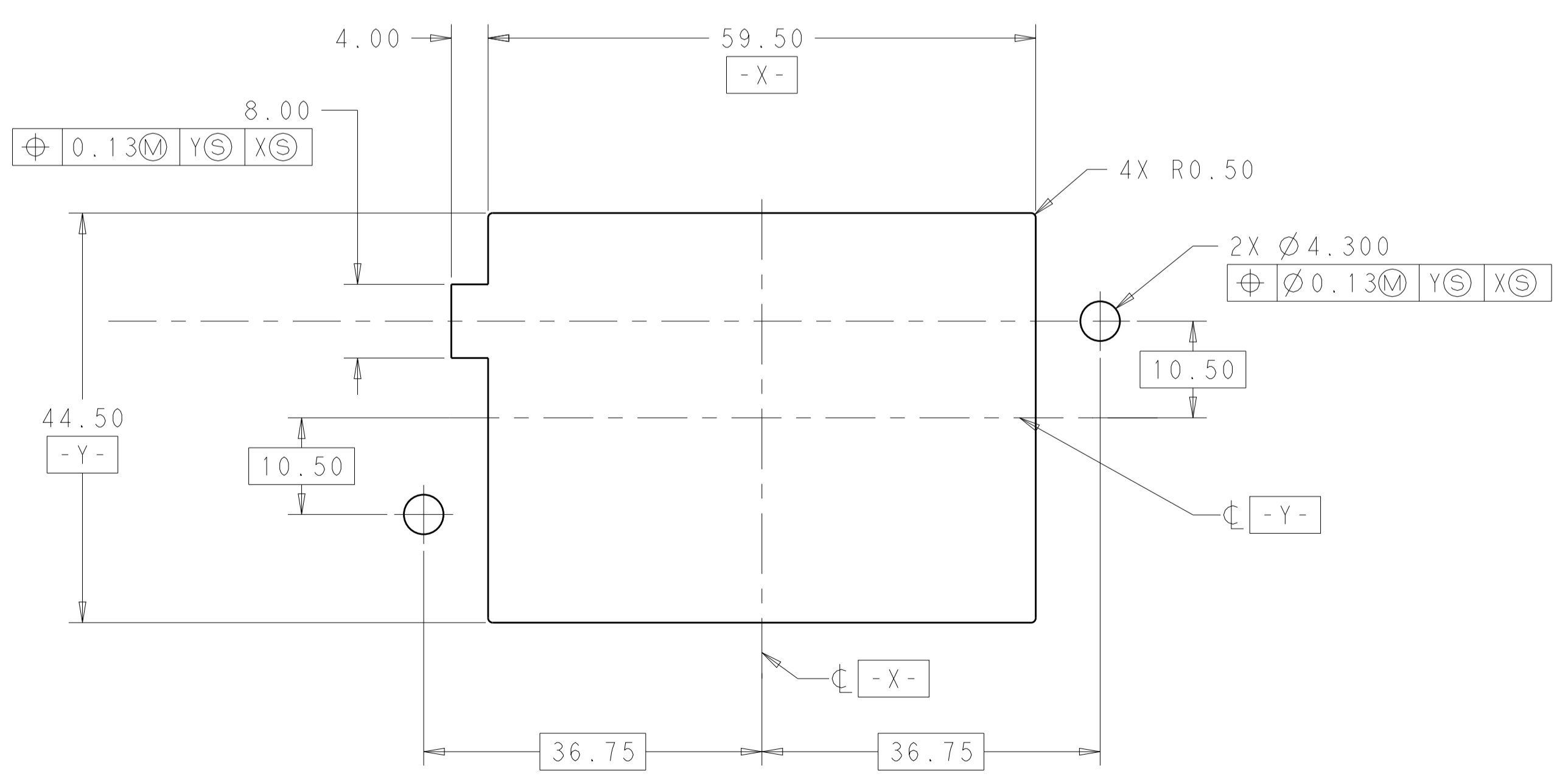
CONNECTOR, SOCKET, FORGE 4x#0,0x#4,0x#8,0x#12,2x#22,		2212307-1	
DESCRIPTION		PART NO.	
THIS DRAWING IS A CONTROLLED DOCUMENT.		OWN: R. TREA 11FEB2015	TE Connectivity
DIMENSIONS: mm		CHK: E. WICKES 11FEB2015	
TOLERANCES UNLESS OTHERWISE SPECIFIED:		APVD: D. ORRIS 11FEB2015	NAME: CONNECTOR, SOCKET, FORGE
0 PLC ±N/A	1 PLC ±N/A	PRODUCT SPEC	4x#0,0x#4,0x#8,0x#12,2x#22
2 PLC ±0.25	3 PLC ±0.13	APPLICATION SPEC	CONFIGURATION
4 PLC ±N/A	ANGLES ±N/A	114-13299	SIZE: A1
MATERIAL: △	FINISH:	WEIGHT:	CAGE CODE: 00779
		Customer Drawing	DRAWING NO: 2212307
		SCALE: 2:1	SHEET 1 OF 2
			REV 1

THIS PRINT IS
PRELIMINARY
 UNQUALIFIED PRODUCT
 CONTACT PRODUCT ENGINEERING
 BEFORE USING THIS PRINT


LOC		DIST		REVISIONS				
				REV	DATE	BY	CHKD	APVD
-	-	-	-	1				
				2	SEE SHEET 1			



PCB LAYOUT
SCALE 3:1



RECOMMENDED PANEL CUTOUT Δ
SCALE 2:1

THIS DRAWING IS A CONTROLLED DOCUMENT.		OWN: R. IREA 11FEB2015	 TE Connectivity
DIMENSIONS: mm		CHK: E. WICKES 11FEB2015	
TOLERANCES UNLESS OTHERWISE SPECIFIED:		APVD: D. ORRIS 11FEB2015	
0 PLC ±N/A 1 PLC ±N/A 2 PLC ±0.25 3 PLC ±0.13 4 PLC ±N/A ANGLES ±N/A		NAME: CONNECTOR, SOCKET, FORGE 4x#0, 0x#4, 0x#8, 0x#12, 2x#22 CONFIGURATION	
MATERIAL: -	FINISH: -	PRODUCT SPEC: 108-2323 APPLICATION SPEC: 114-13299 WEIGHT: -	SIZE: A1 CAGE CODE: 00779 DRAWING NO: C=2212307
		Customer Drawing	RESTRICTED TO: - SCALE: 2:1 SHEET 2 OF 2 REV 1