

FINISH TYPE	"0" TIN	"1" 15MICROINCH GOLD	"2" 30MICROINCH GOLD				
CKT	HDR ASSY PN	HDR ASSY PN	HDR ASSY PN	A	B	C	D
2	2182160220	2182160221	2182160222	7.16	NA	2.95	11.20
4	2182160420	2182160421	2182160422	10.16	3.00	2.95	14.20
6	2182160620	2182160621	2182160622	13.16	6.00	2.95	17.20
8	2182160820	2182160821	2182160822	16.16	9.00	7.70	20.20

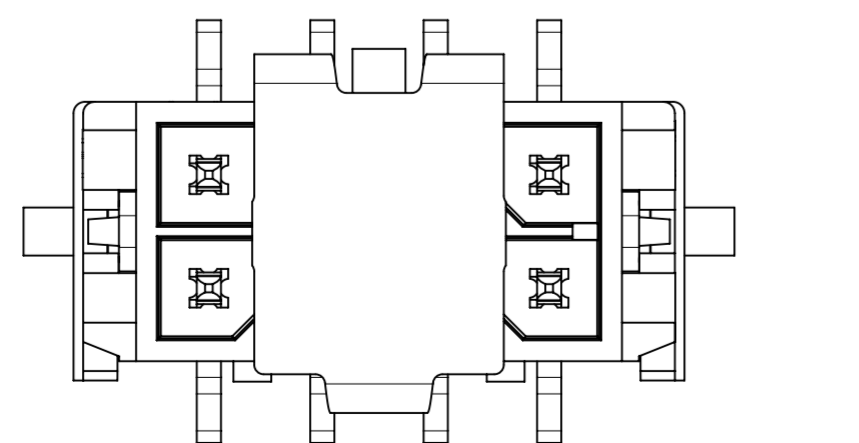
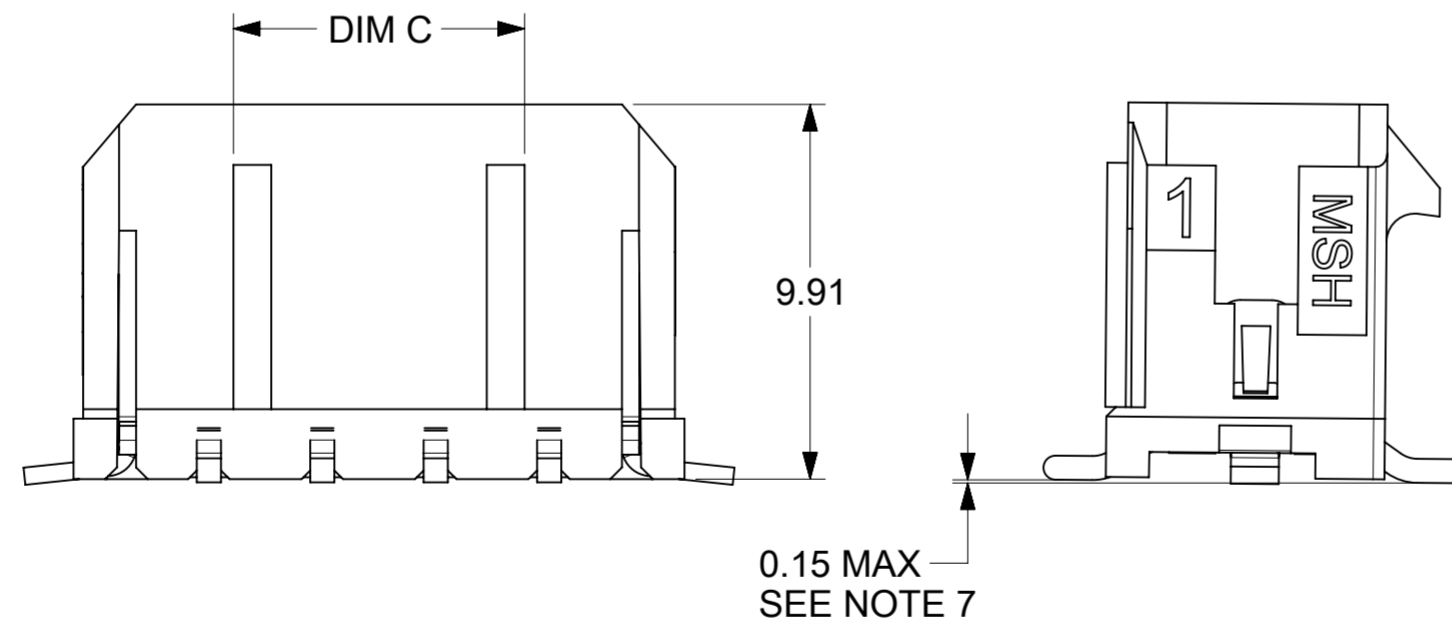
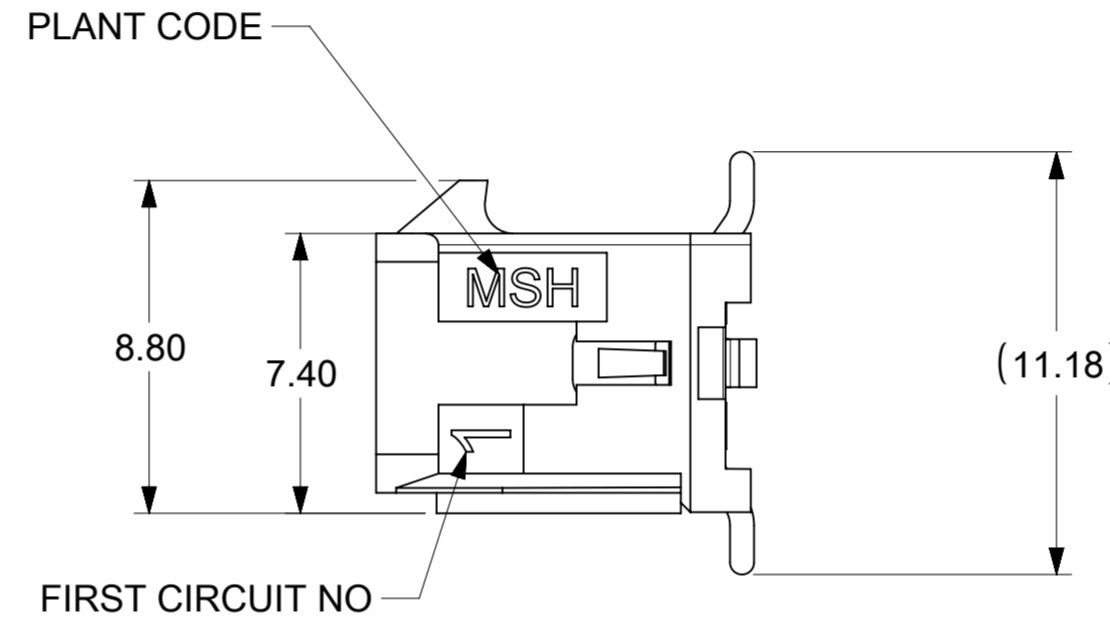
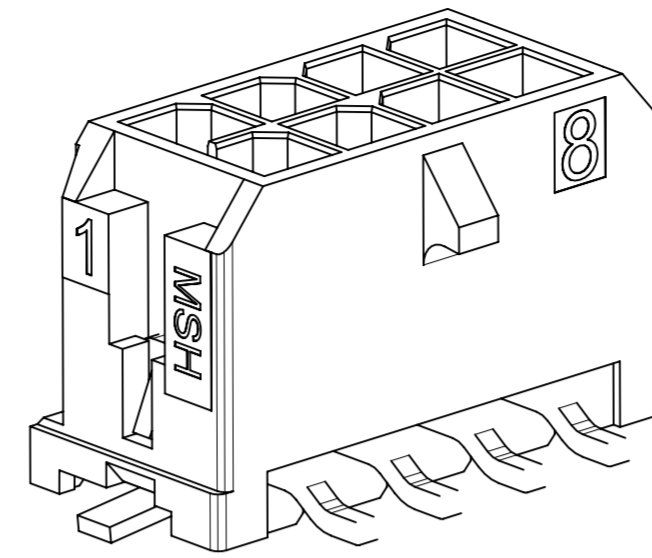
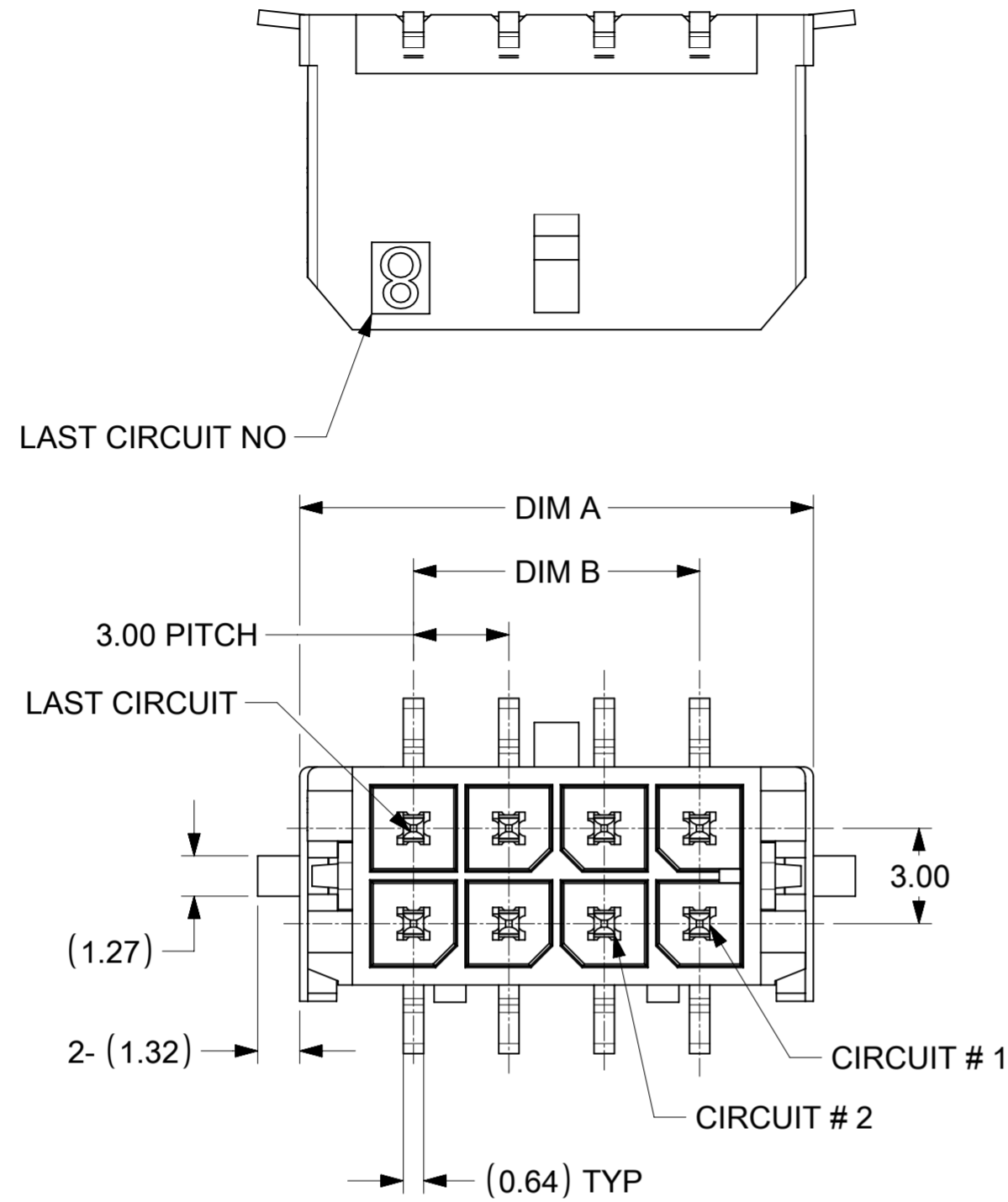
**LEGEND**

SERIES NO. 218216 - \* \* \* \*

CKT NO. \_\_\_\_\_

OPTION  
 0: RIGHT ANGLE WITH NAIL  
 1: RIGHT ANGLE WITH CLIP  
 2: VERTICAL WITH NAIL  
 3: VERTICAL WITH CLIP

PLATING OPTION  
 0: TIN  
 1: 15MICROINCH AU  
 2: 30MICROINCH AU

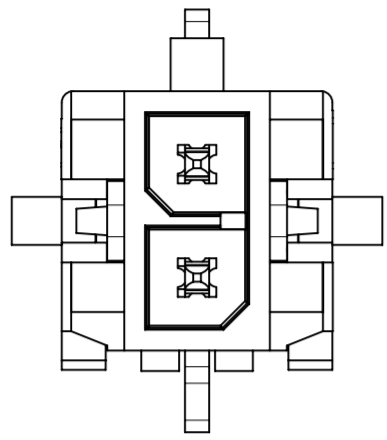


SHOWN WITH DISPOSABLE CAP (43555-000\*)  
SEE NOTE 5

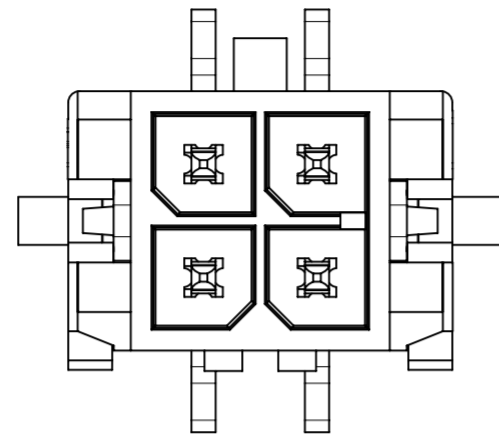
**NOTES:**

- HOSING MATERIAL: GLASS FILLED LIQUID CRYSTAL POLYMER, UL 94V-0, COLOR: BLACK  
TERMINAL MATERIAL: HIGH COPPER ALLOY
- FINISH:  
 OPTION "0": REFLOW MATTE TIN OVER NICKEL  
 OPTION "1": SELECT 15MICROINCH GOLD AND SELECT MATTE TIN OVER NICKEL.  
 OPTION "2": SELECT 30MICROINCH GOLD AND SELECT MATTE TIN OVER NICKEL.
- PRODUCT SPECIFICATION : 2064600000-PS
- PRODUCT TEST SUMMARY: 2064600000-TS
- T&R PACK : 2182160000-PK
- MATE WITH RECEPTACLE 206461
- THE COPLANARITY DIMENSION IS ESTABLISHED BY PLACING THE ASSEMBLY ON A FLAT SURFACE. THE DISTANCE FROM THAT SURFACE TO THE BOTTOM OF ANY TERMINAL OR NAIL MUST NOT EXCEED 0.15
- THIS PART CONFORMS TO CLASS 'B' REQUIREMENTS OF COSMETIC SPECIFICATION PS-45499-002.

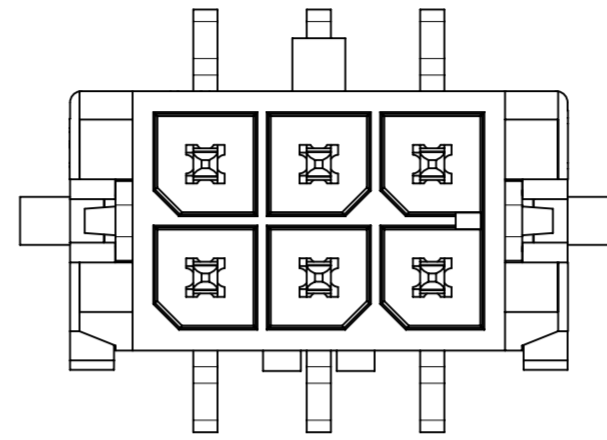
THIS DRAWING CONTAINS INFORMATION THAT IS PROPRIETARY TO MOLEX ELECTRONIC TECHNOLOGIES, LLC AND SHOULD NOT BE USED WITHOUT WRITTEN PERMISSION									
DIMENSION UNITS: mm		SCALE: NTS		CURRENT REV DESC:				<b>molex</b>	
GENERAL TOLERANCES (UNLESS SPECIFIED)		ANGULAR TOL ± 3.0°		EC NO: 724761					
4 PLACES ±		3 PLACES ±		DRWN: ALU002		2021/04/21		MICRO-FIT PLUS DUAL ROW VERTICAL HEADER SMT HEADER WITH NAIL	
2 PLACES ± 0.25		1 PLACE ± 0.36		CHK'D: XQZHANG		2022/10/17			
0 PLACES ±		DRAFT WHERE APPLICABLE MUST REMAIN WITHIN DIMENSIONS		APPR: XQZHANG		2022/10/17		PRODUCT CUSTOMER DRAWING	
INITIAL REVISION:		THIRD ANGLE PROJECTION		DRAWING		SERIES		DOCUMENT NUMBER	
DRWN: ALU002		DRAWING		SERIES		MATERIAL NUMBER		DOC TYPE   DOC PART   REVISION	
APPR: XQZHANG		DRAWING		SERIES		MATERIAL NUMBER		CUSTOMER	
2021/04/21		A2-SIZE		218216		SEE TABLE		GENERAL MARKET	
2022/10/17								1 OF 2	



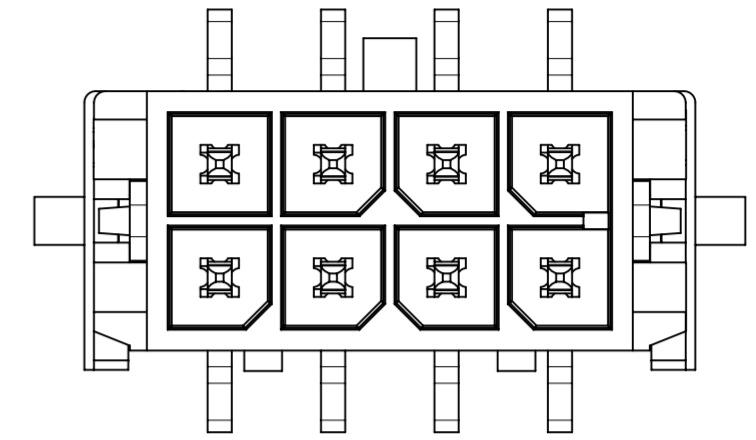
2CKT



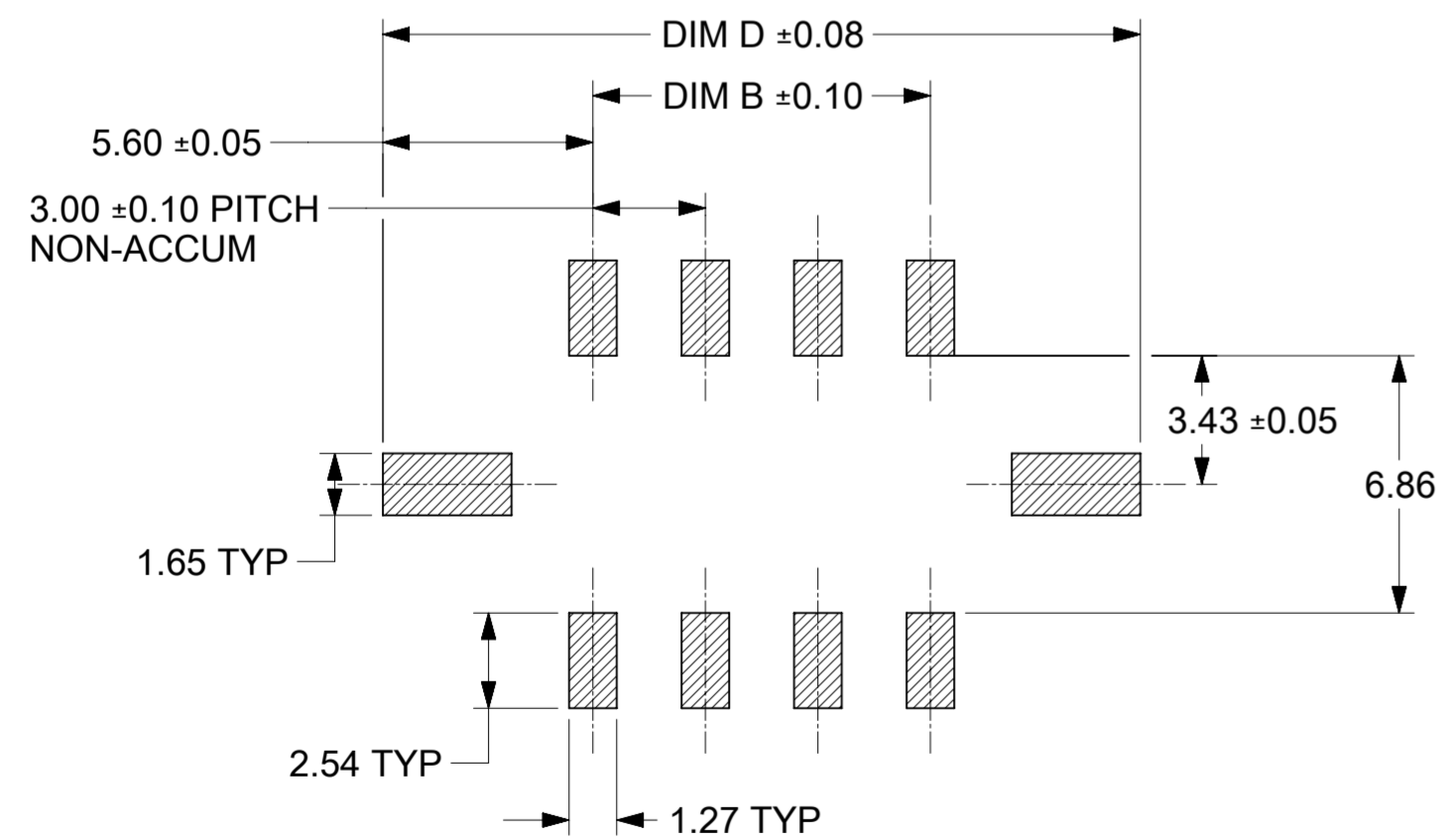
4CKT



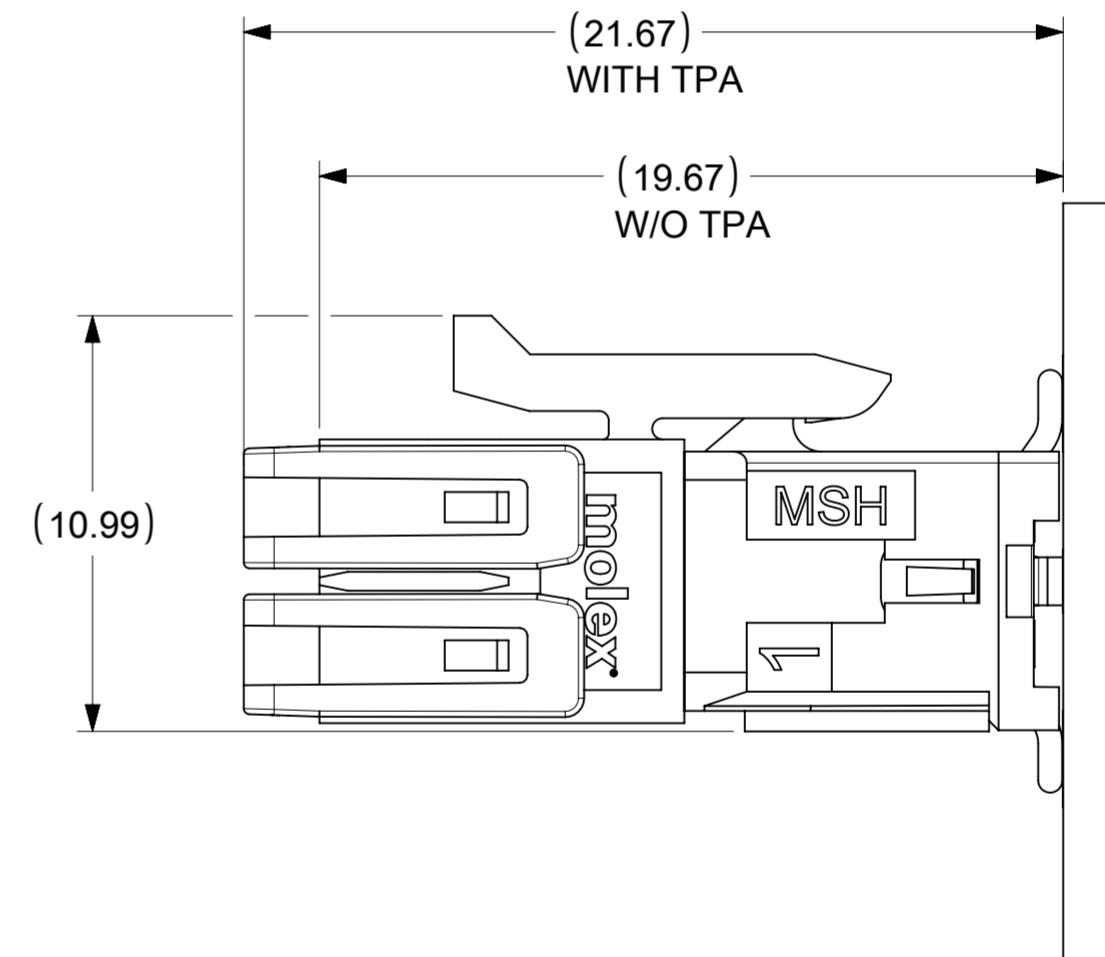
6CKT



8CKT



PCB LAYOUT: COMPONENT SIDE  
 RECOMMENDED THICKNESS : 1.60  $\pm 0.05$ MM



THIS DRAWING CONTAINS INFORMATION THAT IS PROPRIETARY TO MOLEX ELECTRONIC TECHNOLOGIES, LLC AND SHOULD NOT BE USED WITHOUT WRITTEN PERMISSION									
DIMENSION UNITS	SCALE	CURRENT REV DESC:							
mm	NTS								
GENERAL TOLERANCES (UNLESS SPECIFIED)					<b>MICRO-FIT PLUS DUAL ROW VERTICAL HEADER          SMT HEADER WITH NAIL</b>				
ANGULAR TOL	$\pm$	3.0°							
4 PLACES	$\pm$		EC NO: 724761	2021/04/21	<b>PRODUCT CUSTOMER DRAWING</b>				
3 PLACES	$\pm$		DRWN: ALU002	2022/10/17					
2 PLACES	$\pm$	0.25	CHK'D: XQZHANG	2022/10/17	DOCUMENT NUMBER: <b>2182160020-SD</b>   DOC TYPE: PSD   DOC PART: 000   REVISION: A				
1 PLACE	$\pm$	0.36	APPR: XQZHANG	2022/10/17					
0 PLACES	$\pm$		INITIAL REVISION:		MATERIAL NUMBER: SEE TABLE   CUSTOMER: GENERAL MARKET   SHEET NUMBER: 2 OF 2				
DRAFT WHERE APPLICABLE MUST REMAIN WITHIN DIMENSIONS		THIRD ANGLE PROJECTION	DRAWING	SERIES					
			A2-SIZE	218216					