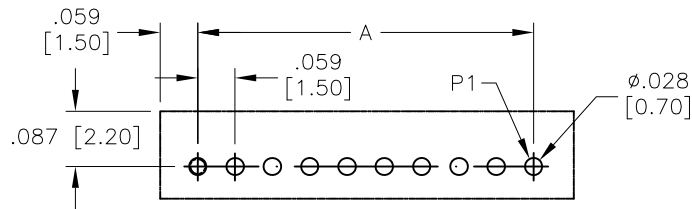
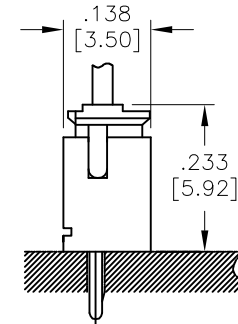
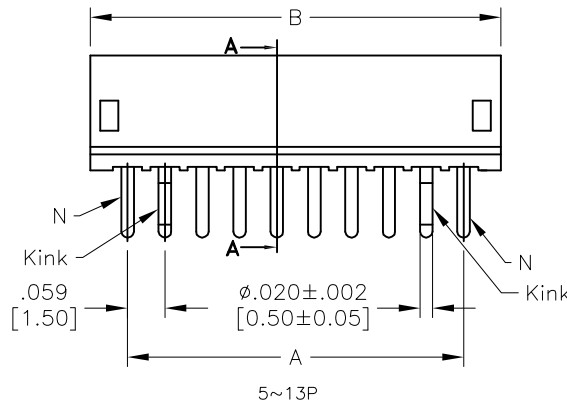
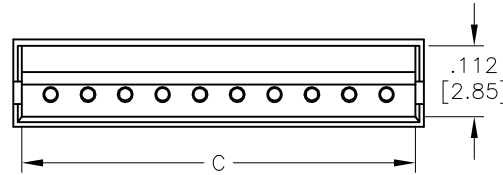


APPROVED: _____
 DATE: _____ TITLE: _____

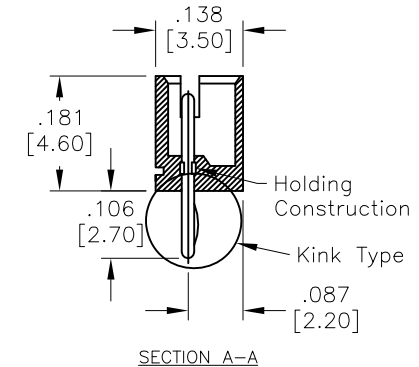
Rev	AWO #	Description	Date	Appr
-		RELEASED	8/14/09	
A		ADDED DIM.	4/6/11	
B		ADDED CONTACTS TOLERANCES	11/5/15	AY/RT
C		UPDATE DRAWING	5/16/18	AY/MY



RECOMMENDED PCB LAYOUT



RECOMMENDED ASSEMBLY DIM.



Circuit	Kink					
	1	2	3	4	5	6~13
2	Kink	Kink				
3	Kink		Kink			
4	Kink			Kink		
5~13	N	Kink			Kink	N

SPECIFICATIONS:

Material:
 Insulator: Nylon 66, rated UL 94V-0
 Insulator color: Beige
 Contacts: Brass

Plating:
 Tin over Nickel underplate overall

Electrical:
 Voltage rating: 50 V AC/DC
 Current rating: 1 A AC/DC
 Contact resistance: 20 mohms max
 Insulation resistance: 500 Mohms min
 Dielectric withstanding voltage: 500 VAC for 1 minute

Temperature Rating:
 Operating temperature: -25°C to +85°C

Environmental:
 Lead free, RoHS compliant.



Positions: 2 thru 13
 A=.059 [1.50] X No. of Spaces
 B=.059 [1.50] X No. of Positions + .059 [1.50]
 c=.059 [1.50] X No. of Positions + .024 [0.60]

UNLESS OTHERWISE SPECIFIED ALL DIMENSIONS ARE INCHES [MM] TOLERANCES: EXCEPT AS NOTED			
INCHES		HOLES	
.X	± .10	Ø.X	± .10
.XX	± .020	Ø.XX	± .015
.XXX	± .015	Ø.XXX	± .010
APPROVALS		DATE	
DRAWN	DY	8/14/09	
CHECKED			
APPROVED			

ADAM TECH INTERCONNECTS
 909 Rahway Avenue,
 Union, NJ 07083
 Phone: 908-687-5000
 Fax: 908-687-5710

TITLE .059 [1.50] VERTICAL HEADER			
SIZE X	PART NO. 15SH-A-XX-TS	REV. C	
REF: S00124T	SCALE: NTS	SHEET 1 OF 1	

6

5

4

3

2

1

6

5

4

3

2

1