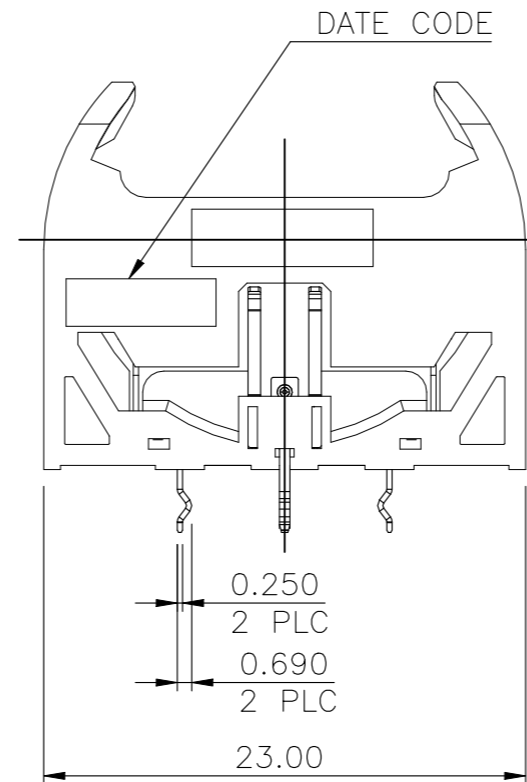
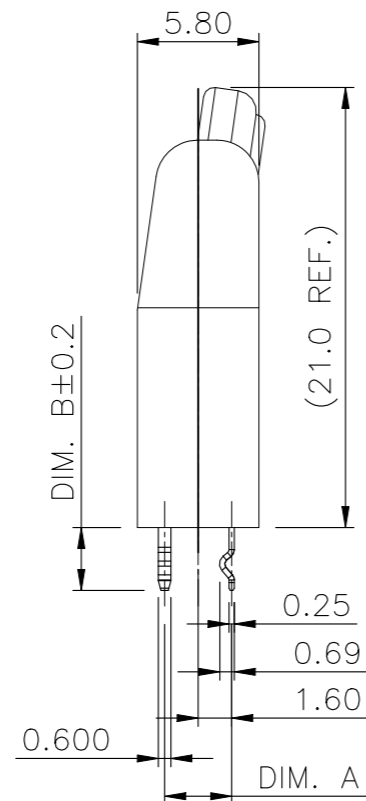
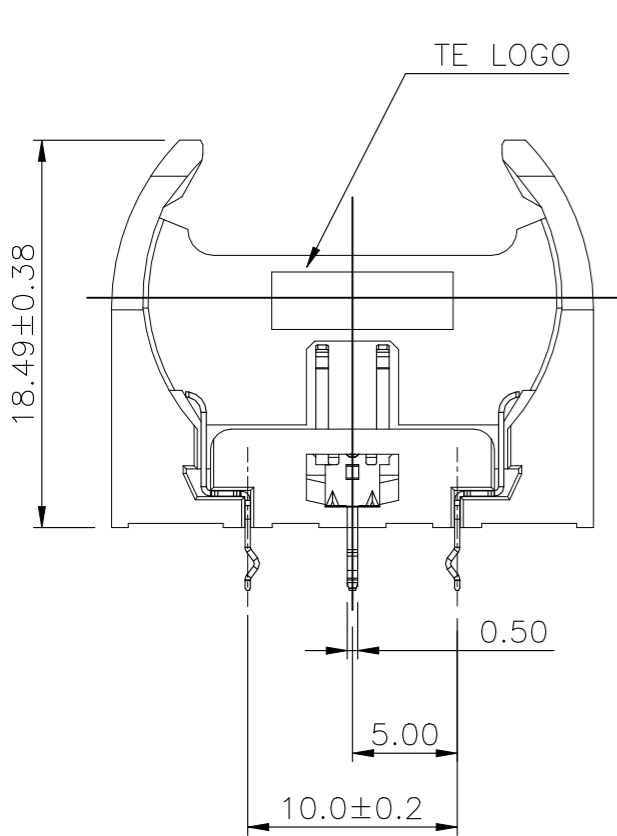
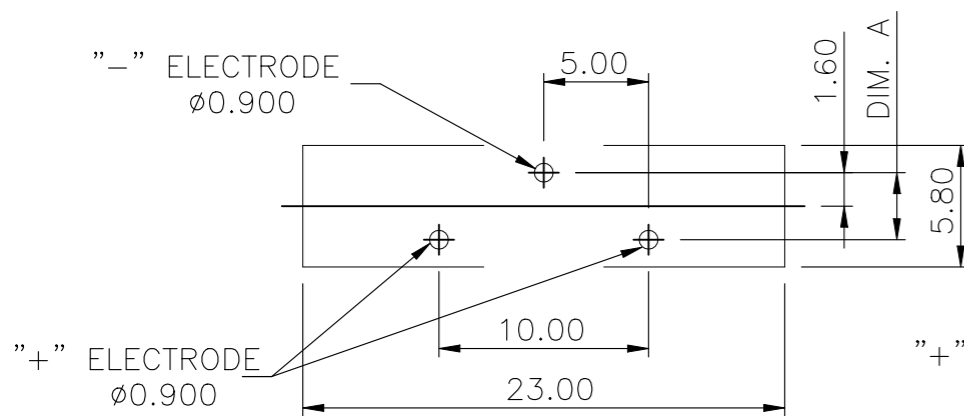
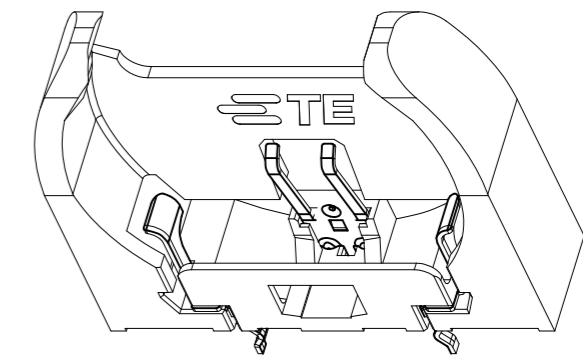


P	LTR	DESCRIPTION	DATE	DWN	APVD
	B3	ECR-21-108371	27JUL2021	E.Z	N.S

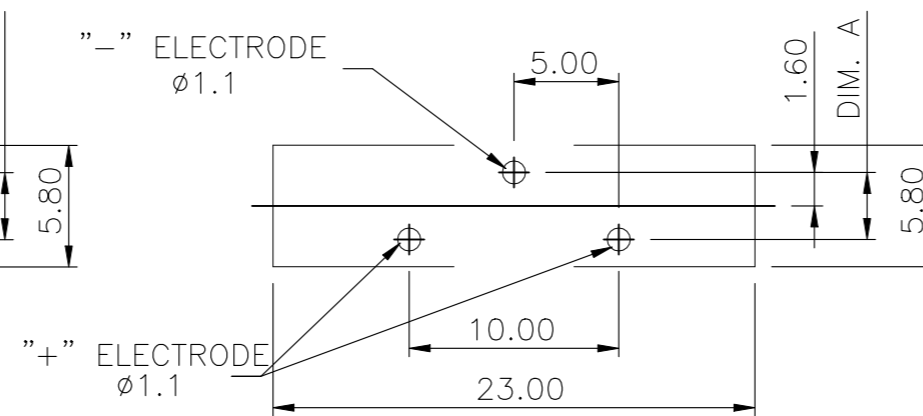


NOTES :

- MATERIAL :
  - HOUSING: MATERIAL AND COLOR: SEE TABLE, UL94 V-0
  - CONTACT: STAINLESS STEEL
- FINISH : CONTACT
  - 2.1 GOLD FLASH PLATING ON CONTACT AREA, 2.54um [100u"] MIN. MATTE-TIN PLATING ON SOLDERING AREA. 0.76um [30u"] MIN. NICKEL UNDERPLATING OVERALL.
  - 2.2 GOLD PLATING 0.125um [5u"] MIN.ON CONTACT AREA, 2.54um [100u"] MIN. MATTE-TIN PLATING ON SOLDERING AREA. 1.25um [50u"] MIN. NICKEL UNDERPLATING OVERALL.
- WAVE SOLDER CAPABLE TO 265°C PER TE SPEC. 109-202, CONDITION B.
- RECOMMENDED PCB THICKNESS: 1.6mm
- SUITABLE FOR BATTERY NO.: CR2032.
- LOW PCB RETENTION FORCE.



RECOMMENDED PCB HOLE LAYOUT  
PCB TOLERANCE ±0.05

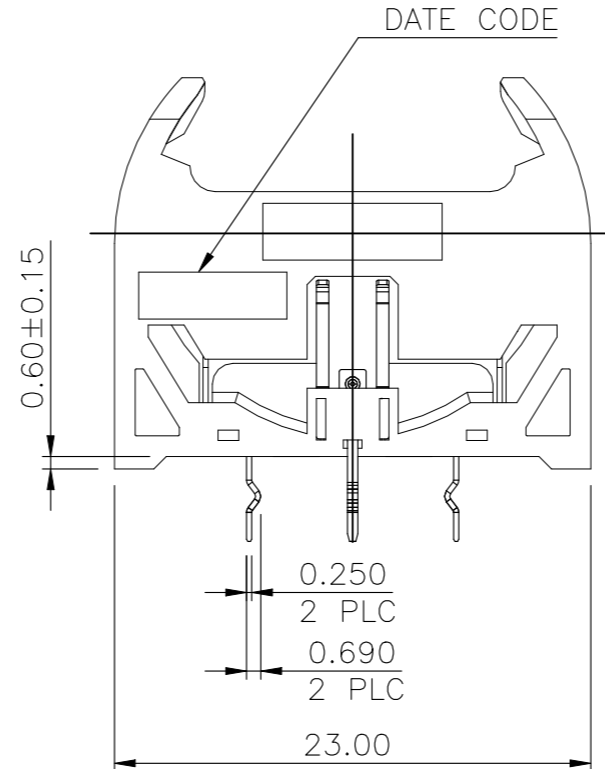
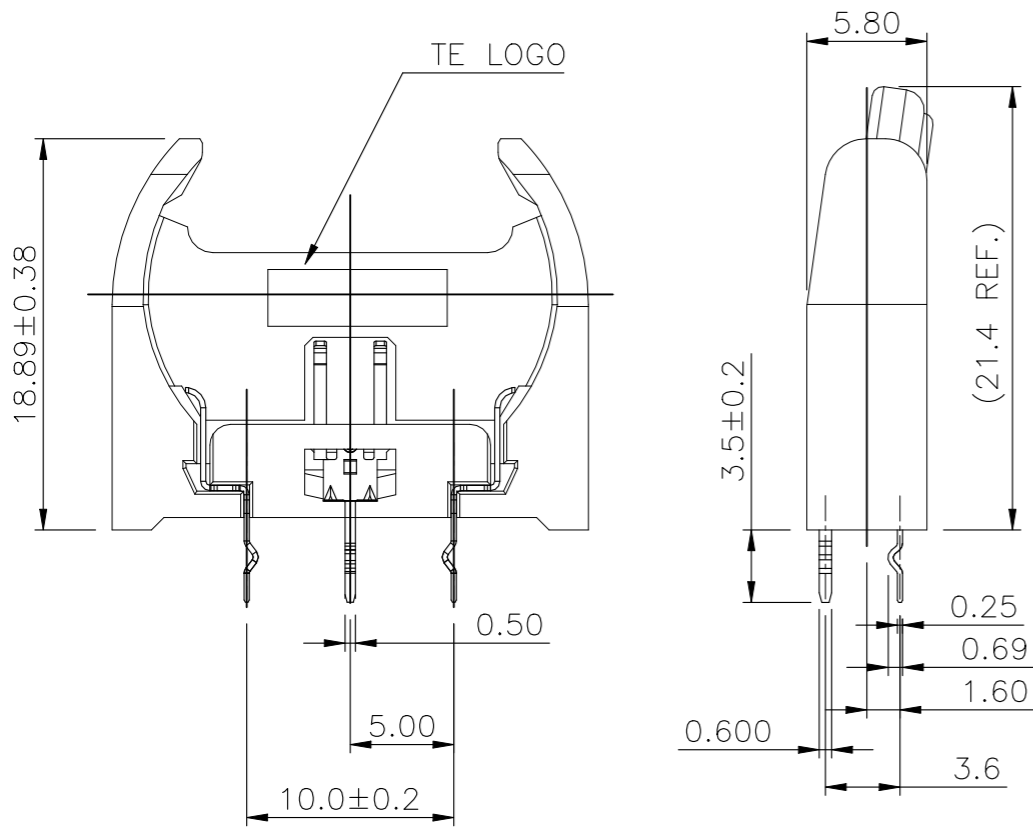


RECOMMENDED PCB HOLE LAYOUT  
PCB TOLERANCE ±0.05

2.1	3.0 mm	3.2 mm	PA-66 & BLACK	2-1775485-4
2.2	3.6 mm	3.6 mm	PA-66 & BLACK	1775485-5
2.1				2-1775485-1
2.1	3.0 mm	3.2 mm	PA-66 & 2718C BLUE	1-1775485-2
2.1			PA-66 & BLACK	1-1775485-1
2.1	3.0 mm	3.6 mm	PA-66 & 2718C BLUE	1775485-2
2.2			PA-66 & BLACK	1775485-4
2.1			PA-66 & BLACK	1775485-1
FINISHED	DIM B	DIM A	HOUSING MATERIAL&COLOR	PART NO.

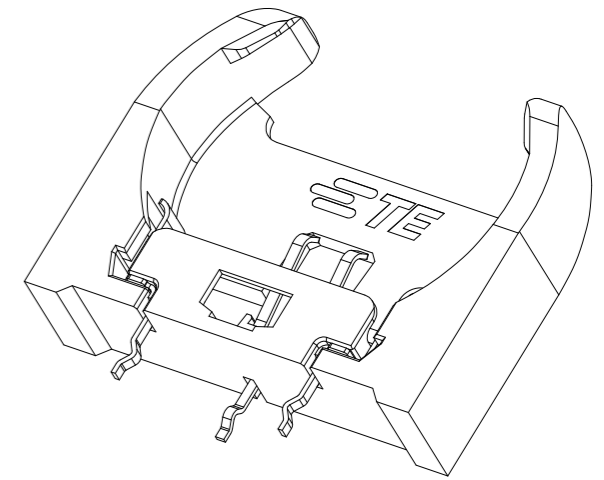
THIS DRAWING IS A CONTROLLED DOCUMENT.		DWN S. CHIEN 03JUN2008	TE Connectivity				
DIMENSIONS: mm		CHK W.KODAMA 03JUN2008					
TOLERANCES UNLESS OTHERWISE SPECIFIED:		APVD S. CHIEN 03JUN2008	NAME BATTERY HOLDER, H=18.5mm, V/T				
0 PLC ± - 1 PLC ± 0.38 2 PLC ± 0.25 3 PLC ± 0.15 4 PLC ± - ANGLES ± 2°		PRODUCT SPEC 108-57542	-				
MATERIAL SEE NOTE		FINISH SEE NOTE	APPLICATION SPEC -	SIZE	CAGE CODE	DRAWING NO	RESTRICTED TO
		WEIGHT 1.19 GRAMS	A3	00779	C=1775485	-	
CUSTOMER DRAWING			SCALE 1:1	SHEET 1 of 5	REV B3		

P	LTR	DESCRIPTION	DATE	DWN	APVD
-	-	SEE SHEET 1	-	-	-

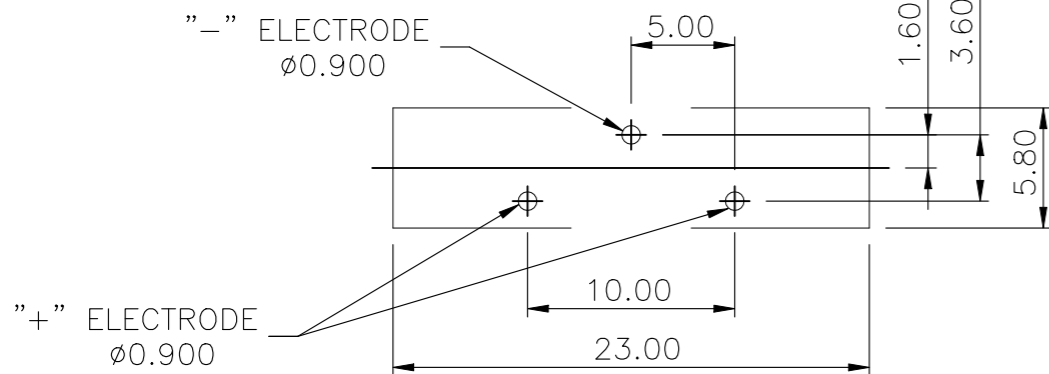


NOTES :

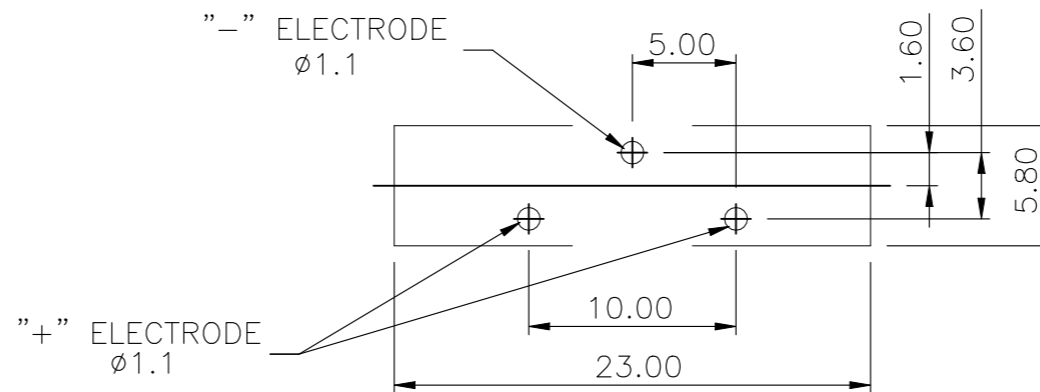
- MATERIAL :
  - HOUSING: UL94 V-0, PA SERIES COLOR: SEE TABLE
  - CONTACT: STAINLESS STEEL
- FINISH :
  - CONTACT
    - GOLD FLASH PLATING ON CONTACT AREA, 2.54um [100u"] MIN. MATTE-TIN PLATING ON SOLDERING AREA. 0.76um [30u"] MIN. NICKEL UNDERPLATING OVERALL.
- WAVE SOLDER CAPABLE TO 265°C PER TE SPEC. 109-202, CONDITION B.
- RECOMMENDED PCB THICKNESS: 1.6mm
- SUITABLE FOR BATTERY NO.: CR2032.
- △ LOW PCB RETENTION FORCE.



PRODUCT AS SHOWN  
(0.60mm Height Standoff)



RECOMMENDED PCB HOLE LAYOUT  
PCB TOLERANCE ±0.05



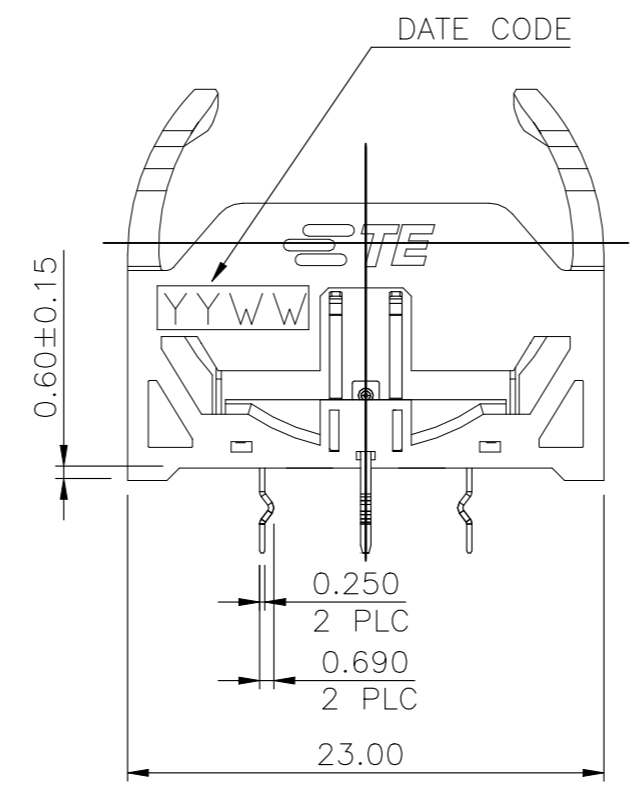
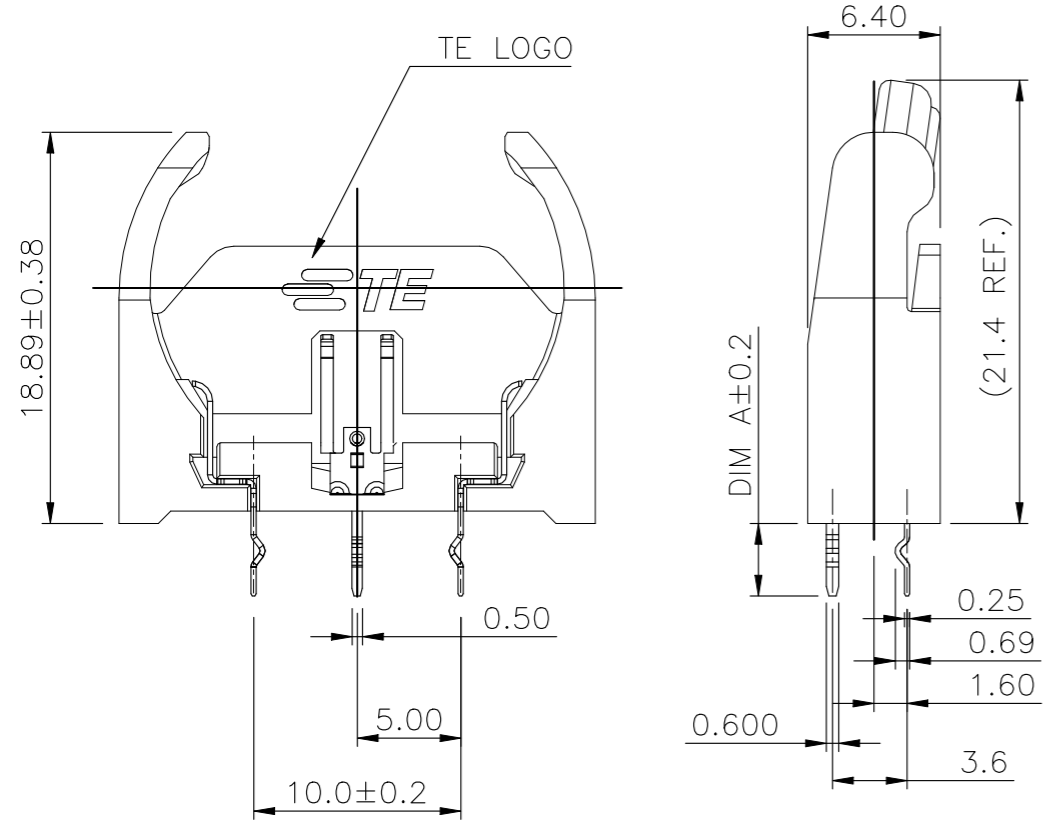
△ RECOMMENDED PCB HOLE LAYOUT  
PCB TOLERANCE ±0.05

SOFT TRAY	1775485-3
PACKING	PART NO.

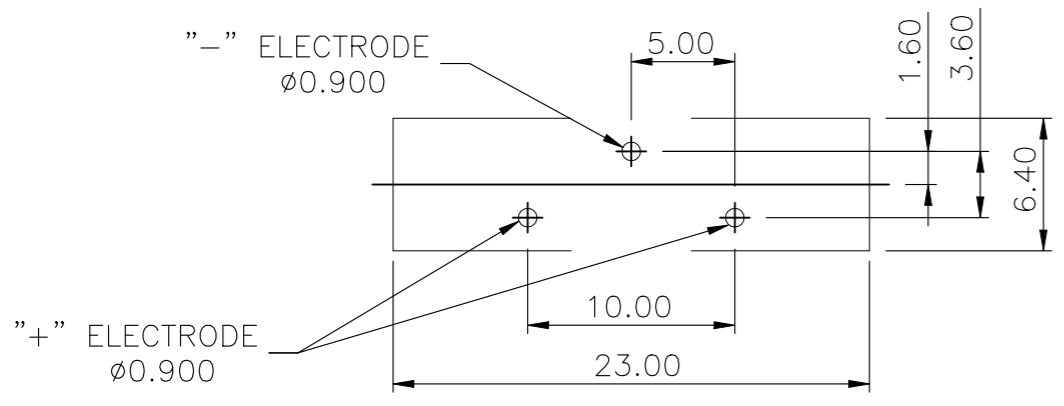
THIS DRAWING IS A CONTROLLED DOCUMENT.		DWN S. CHIEN 03JUN2008	TE Connectivity		
DIMENSIONS: mm		CHK W.KODAMA 03JUN2008			
TOLERANCES UNLESS OTHERWISE SPECIFIED:		APVD S. CHIEN 03JUN2008	NAME BATTERY HOLDER, H=18.5mm, V/T		
0 PLC ± -		PRODUCT SPEC 108-57542	-		
1 PLC ± 0.38		APPLICATION SPEC -	-		
2 PLC ± 0.25		SIZE -	CAGE CODE A300779	DRAWING NO C-1775485	RESTRICTED TO -
3 PLC ± 0.15		WEIGHT 1.19 GRAMS	SCALE 1:1 SHEET 2 OF 5 REV B3		
4 PLC ± -		CUSTOMER DRAWING			
ANGLES ± 2°					
FINISH SEE NOTE					
MATERIAL SEE NOTE					

REVISIONS

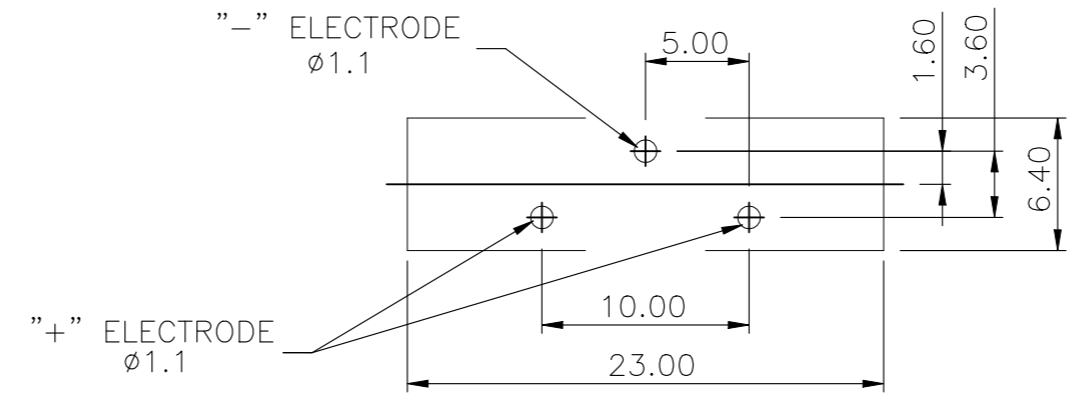
P	LTR	DESCRIPTION	DATE	DWN	APVD
-	-	SEE SHEET 1	-	-	-



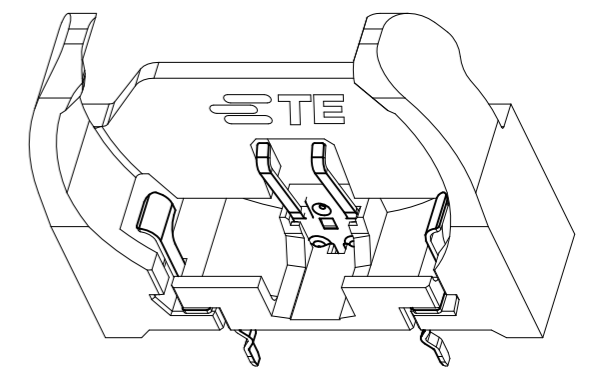
- NOTES :
- MATERIAL :
    - HOUSING: UL94 V-0, PA SERIES COLOR: SEE TABLE
    - CONTACT: STAINLESS STEEL
  - FINISH :
    - CONTACT
      - GOLD FLASH PLATING ON CONTACT AREA,
      - 2.54um [100u"] MIN. MATTE-TIN PLATING ON SOLDERING AREA.
      - 0.76um [30u"] MIN. NICKEL UNDERPLATING OVERALL.
  - WAVE SOLDER CAPABLE TO 265°C PER TE SPEC. 109-202, CONDITION B.
  - RECOMMENDED PCB THICKNESS: 1.6mm
  - SUITABLE FOR BATTERY NO.: CR2032.
  - LOW PCB RETENTION FORCE.
  - 3-1775485-2 AND 4-1775485-2 ARE PRELIMINARY PART



RECOMMENDED PCB HOLE LAYOUT  
PCB TOLERANCE ±0.05



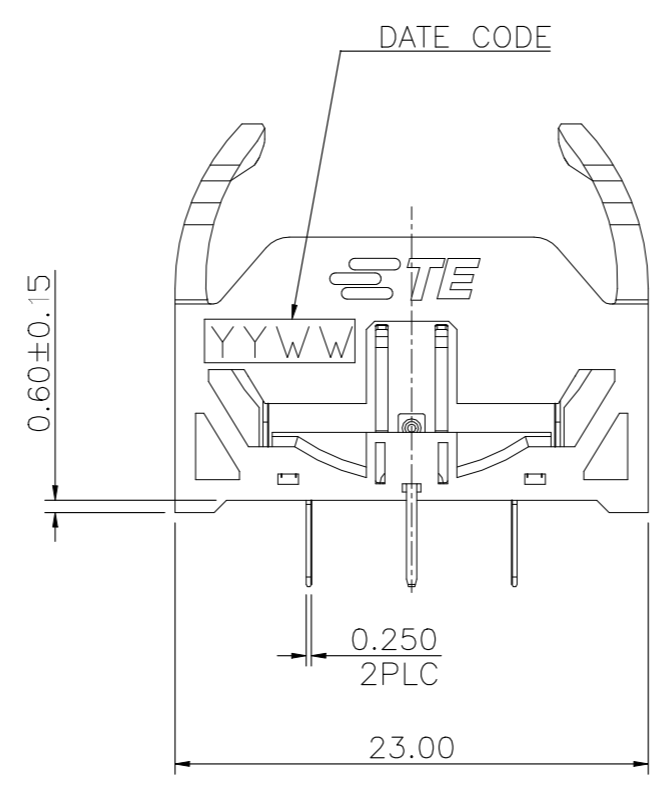
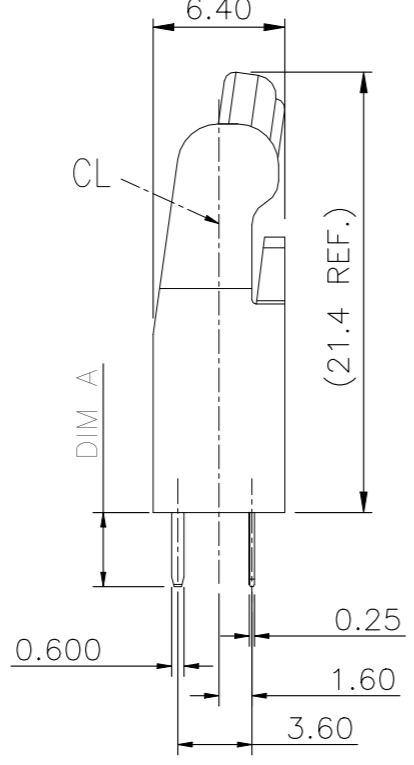
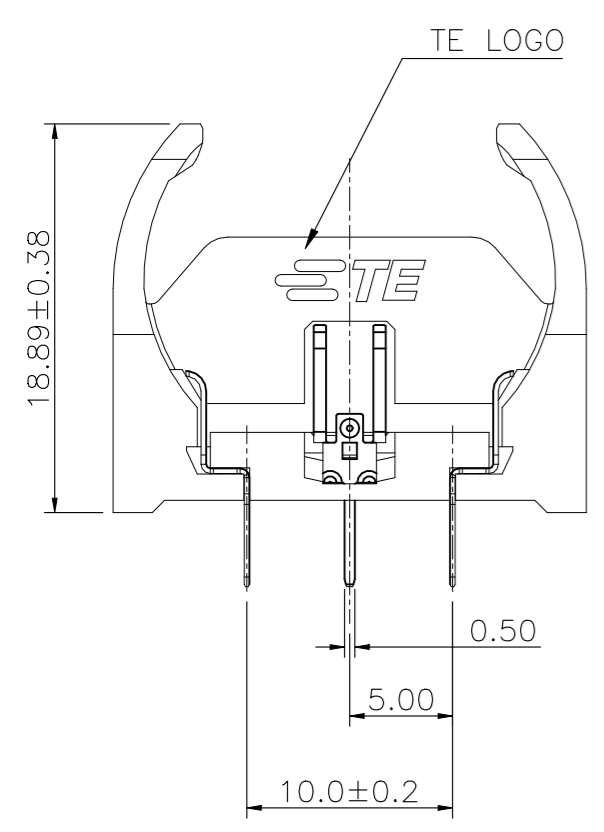
RECOMMENDED PCB HOLE LAYOUT  
PCB TOLERANCE ±0.05



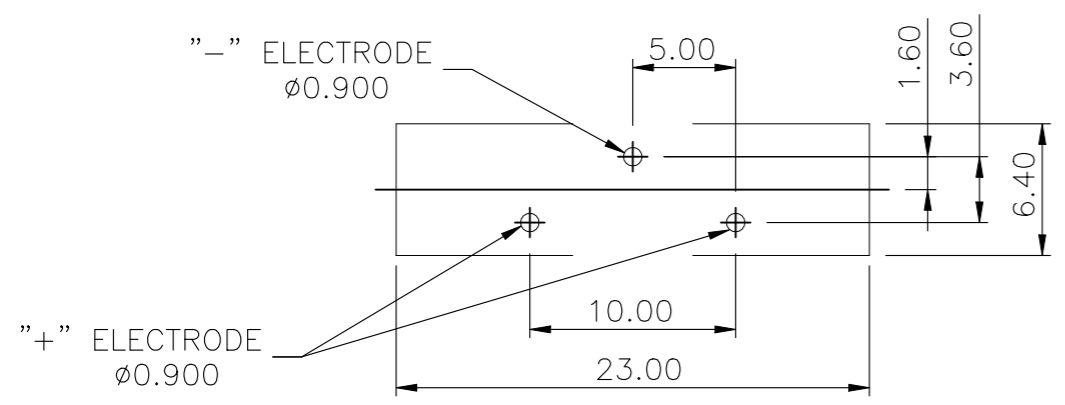
3.00	PA10T HF& BLACK	3-1775485-2
3.50	PA10T HF&2718C BLUE	2-1775485-2
DIM A	HOUSING COLOR	PART NO.

THIS DRAWING IS A CONTROLLED DOCUMENT.		DWN S. CHIEN 03JUN2008	<b>STE</b> TE Connectivity	
DIMENSIONS: mm		CHK W.KODAMA 03JUN2008		
TOLERANCES UNLESS OTHERWISE SPECIFIED:		APVD S. CHIEN 03JUN2008	NAME BATTERY HOLDER, H=18.5mm, V/T	
0 PLC ± -		PRODUCT SPEC 108-57542	-	
1 PLC ± 0.38		APPLICATION SPEC -	-	
2 PLC ± 0.25		SIZE -	CAGE CODE A300779	DRAWING NO C-1775485
3 PLC ± 0.15		RESTRICTED TO -	-	
4 PLC ± -		WEIGHT 1.19 GRAMS	SCALE 1:1	
ANGLES ± 2°		CUSTOMER DRAWING	SHEET 3 of 5	
FINISH SEE NOTE		REV B3		

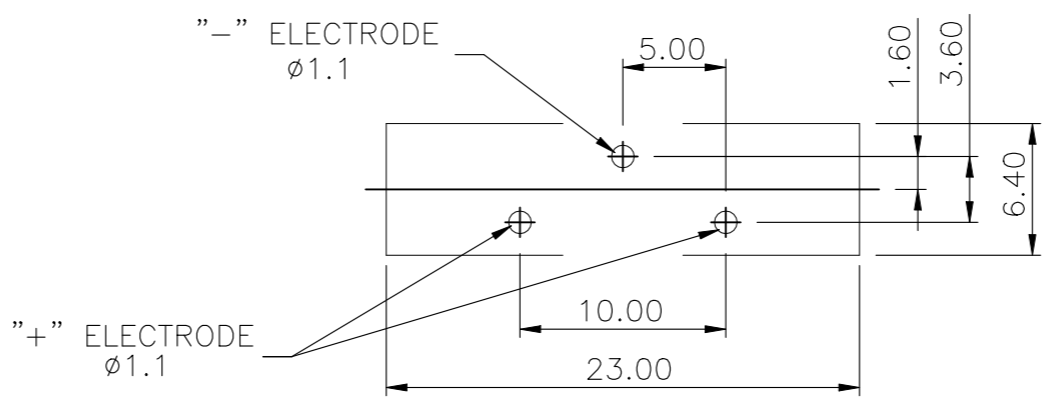
REVISIONS					
P	LTR	DESCRIPTION	DATE	DWN	APVD
-	-	SEE SHEET 1	-	-	-



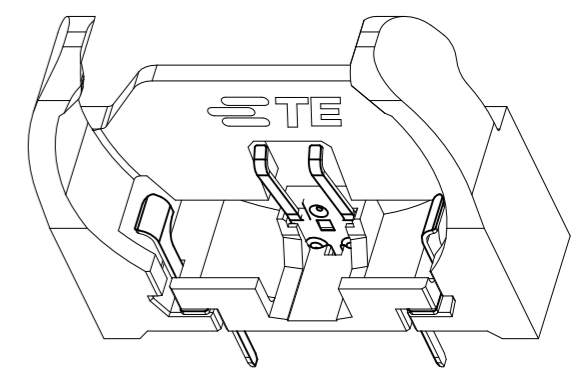
- NOTES :
- MATERIAL :
    - HOUSING: UL94 V-0, PA SERIES COLOR: SEE TABLE
    - CONTACT: STAINLESS STEEL
  - FINISH :
    - CONTACT
      - GOLD FLASH PLATING ON CONTACT AREA, 2.54um [100u"] MIN. MATTE-TIN PLATING ON SOLDERING AREA.
      - 0.76um [30u"] MIN. NICKEL UNDERPLATING OVERALL.
  - WAVE SOLDER CAPABLE TO 265°C PER TE SPEC. 109-202, CONDITION B.
  - RECOMMENDED PCB THICKNESS: 1.6mm
  - SUITABLE FOR BATTERY NO.: CR2032.
  - LOW PCB RETENTION FORCE.
  - 1775485-6 IS PRELIMINARY PART.



RECOMMENDED PCB HOLE LAYOUT  
PCB TOLERANCE ±0.05



RECOMMENDED PCB HOLE LAYOUT  
PCB TOLERANCE ±0.05



3.60	PA10T HF&2718C BLUE	1775485-6
DIM A	HOUSING COLOR	PART NO.

THIS DRAWING IS A CONTROLLED DOCUMENT.		DWN S. CHIEN 03JUN2008	TE Connectivity		
DIMENSIONS: mm		CHK W.KODAMA 03JUN2008			
TOLERANCES UNLESS OTHERWISE SPECIFIED:		APVD S. CHIEN 03JUN2008	NAME BATTERY HOLDER, H=18.5mm, V/T		
0 PLC ± - 1 PLC ± 0.38 2 PLC ± 0.25 3 PLC ± 0.15 4 PLC ± - ANGLES ± 2°		PRODUCT SPEC 108-57542	-		
MATERIAL SEE NOTE		FINISH SEE NOTE	APPLICATION SPEC -	SIZE -	CAGE CODE -
		WEIGHT 1.19 GRAMS	DRAWING NO. A300779	RESTRICTED TO -	
		CUSTOMER DRAWING		SCALE 1:1	SHEET 4 OF 5
				REV B3	

REVISIONS					
P	LTR	DESCRIPTION	DATE	DWN	APVD
-	-	SEE SHEET 1	-	-	-

NOTES :

1. MATERIAL:

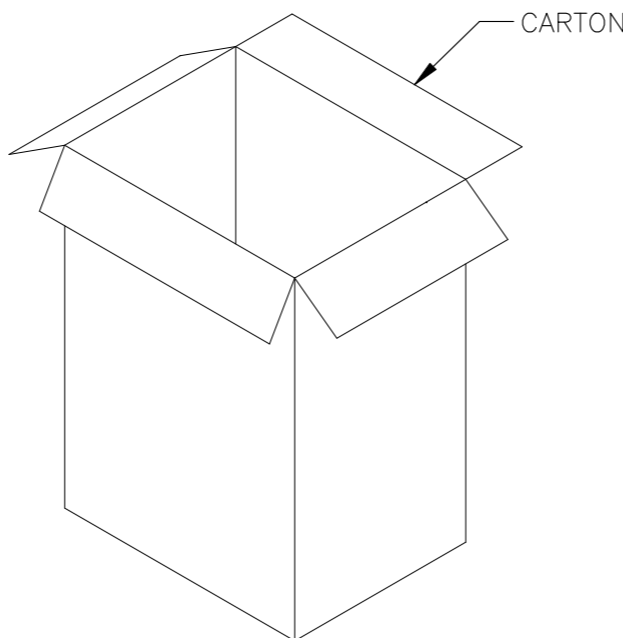
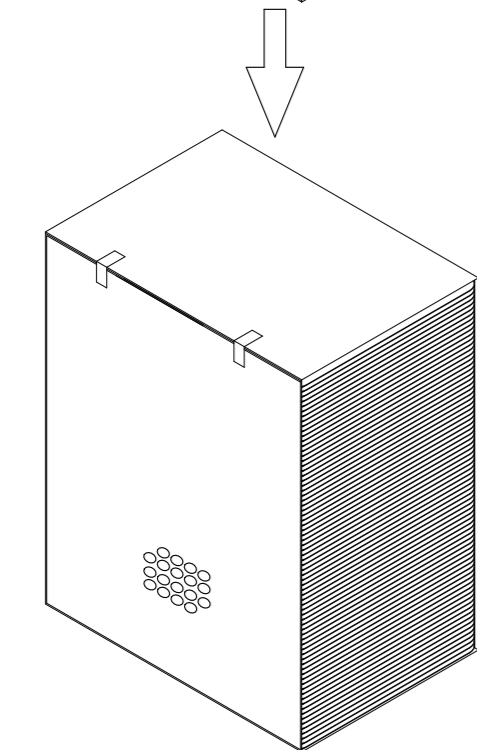
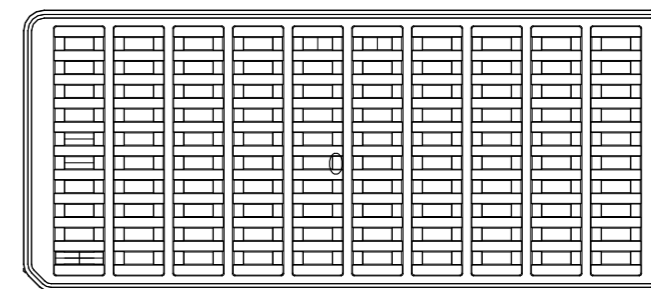
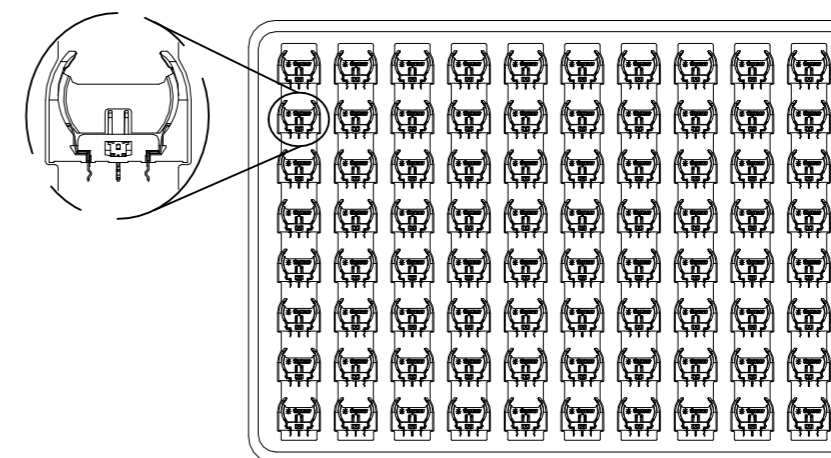
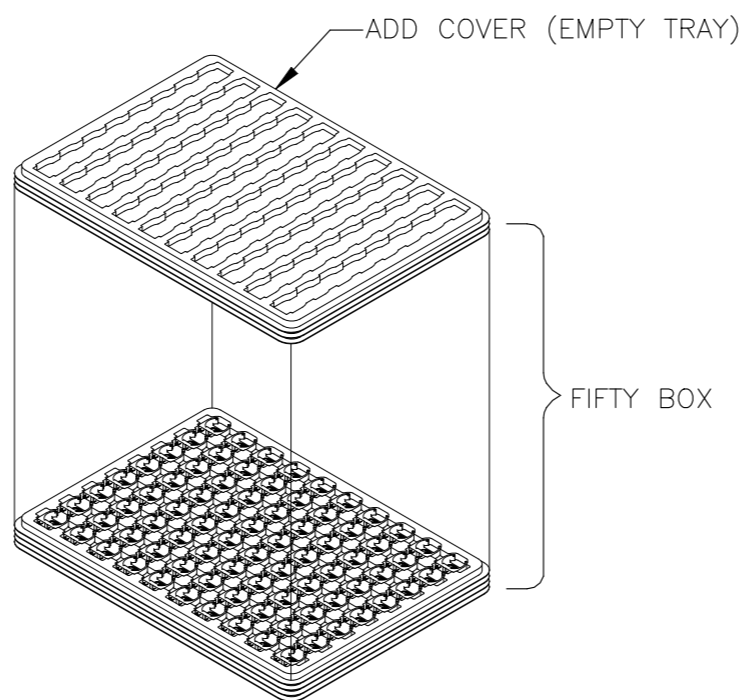
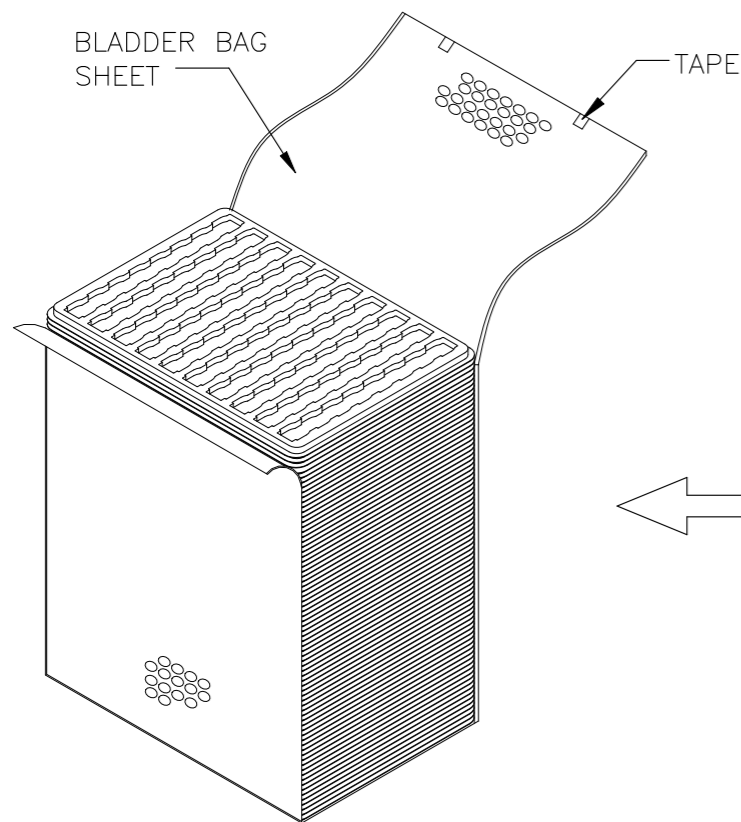
1.1 TRAY:

1775485-1/1775485-2/1775485-4/1775485-5	SOFT TRAY
1-1775485-1/1-1775485-2/2-1775485-1	SOFT TRAY
2-1775485-2/1775485-3/1775485-6	SOFT TRAY
3-1775485-2	SOFT TRAY
2-1775485-4	HARD TRAY

1.2 SHIPPING CARTON: CORRUGATED FIBERBOARD

2. QUANTITY:

2.1 PRIMARY PACKING: 80 PCS/TRAY	SOFT TRAY
100 PCS/TRAY	HARD TRAY
2.2 SECONDARY PACKING: 50 TRAY/CARTON(4,000PCS)	
20 TRAY/CARTON(2,000PCS)	



THIS DRAWING IS A CONTROLLED DOCUMENT.

DIMENSIONS: mm	TOLERANCES UNLESS OTHERWISE SPECIFIED:
	0 PLC ± -
	1 PLC ± 0.38
	2 PLC ± 0.25
	3 PLC ± 0.15
	4 PLC ± -
	ANGLES ± 2°
MATERIAL SEE NOTE	FINISH SEE NOTE

DWN S. CHIEN	03JUN2008
CHK W.KODAMA	03JUN2008
APVD S. CHIEN	03JUN2008
PRODUCT SPEC 108-57542	
APPLICATION SPEC	
WEIGHT 1.19 GRAMS	

TE Connectivity			
NAME BATTERY HOLDER, H=18.5mm, V/T			
SIZE	CAGE CODE	DRAWING NO	RESTRICTED TO
A3	00779	C-1775485	-
CUSTOMER DRAWING		SCALE 1:1	SHEET 5 of 5
		REV B3	