



Z8 Encore! MC™ Family

Z8FMC16100 Series Motor Control Development Kit

User Manual

UM019206-1011



Warning: DO NOT USE THIS PRODUCT IN LIFE SUPPORT SYSTEMS.

LIFE SUPPORT POLICY

ZILOG'S PRODUCTS ARE NOT AUTHORIZED FOR USE AS CRITICAL COMPONENTS IN LIFE SUPPORT DEVICES OR SYSTEMS WITHOUT THE EXPRESS PRIOR WRITTEN APPROVAL OF THE PRESIDENT AND GENERAL COUNSEL OF ZILOG CORPORATION.

As used herein

Life support devices or systems are devices which (a) are intended for surgical implant into the body, or (b) support or sustain life and whose failure to perform when properly used in accordance with instructions for use provided in the labeling can be reasonably expected to result in a significant injury to the user. A critical component is any component in a life support device or system whose failure to perform can be reasonably expected to cause the failure of the life support device or system or to affect its safety or effectiveness.

Document Disclaimer

©2011 Zilog, Inc. All rights reserved. Information in this publication concerning the devices, applications, or technology described is intended to suggest possible uses and may be superseded. ZILOG, INC. DOES NOT ASSUME LIABILITY FOR OR PROVIDE A REPRESENTATION OF ACCURACY OF THE INFORMATION, DEVICES, OR TECHNOLOGY DESCRIBED IN THIS DOCUMENT. ZILOG ALSO DOES NOT ASSUME LIABILITY FOR INTELLECTUAL PROPERTY INFRINGEMENT RELATED IN ANY MANNER TO USE OF INFORMATION, DEVICES, OR TECHNOLOGY DESCRIBED HEREIN OR OTHERWISE. The information contained within this document has been verified according to the general principles of electrical and mechanical engineering.

Z8, Z8 Encore!, Z8 Encore! XP and Z8 Encore! MC are trademarks or registered trademarks of Zilog, Inc. All other product or service names are the property of their respective owners.

Revision History

Each instance in the Revision History table below reflects a change to this document from its previous version. For more details, click the appropriate links in the table.

Date	Revision Level	Description	Page No
Oct 2011	06	Corrected erroneous kit references; updated Figure 3.	All, 6
Aug 2011	05	Updated schematic diagram in Figure 7 to Rev C per CR#13164.	16
Feb 2008	04	Updated Zilog logo, Zilog text, and Foreword section.	All
Nov 2006	03	Corrected Vcc_33V to Vcc_3.3V.	All
Jul 2005	02	Updated MCU description.	4
Jun 2005	01	Original issue.	

**Z8FMC16100 Series Motor Control Development Kit
User Manual**



iv

Table of Contents

Revision History	iii
Introduction	1
Kit Features	1
Development Kit Block Diagram	1
MC MDS Module Description	3
Features	4
MCU	4
Connector JP2	6
Jumper and Switch Settings	9
Physical Dimensions	9
3-Phase Motor Control Application Board	10
Features	10
Power MOSFETs and Gate Drivers	11
Fused External Power Interface	11
Physical Dimensions	11
ZDSII	11
Troubleshooting and Developer Guidelines	12
Overview	12
Recheck Procedures with the Quick Start Guide	12
IrDA Port Not Working	12
Zilog Customer Support Contact	12
Linux Motor Wiring Information	13
Schematics	14
Customer Support	19

**Z8FMC16100 Series Motor Control Development Kit
User Manual**



vi

Introduction

Zilog's Z8FMC16100 Series Motor Control Development Kit helps you to develop motor control applications using Zilog's 32-LQFP Z8FMC16100 Motor Control MCU. This development kit provides an application-specific platform for creating a design based on the Z8FMC16100 Series microcontroller, and features a Motor Control Motor Driver System (MC MDS) Module mounted on a 3-Phase Motor Control Application Board. A 24 VDC, 3200RPM 3-phase motor is included with the kit.

Kit Features

The key features of the Z8FMC16100 Series Motor Control Development Kit include:

- MC MDS Module
- 3-Phase Motor Control Application Board
- USB Smart Cable with opto-isolator
- 3-phase 24 VDC, 30W, 3200RPM motor with spade connectors and Internal Hall Sensors (powered by external adjustable 24 VDC supply not included in kit)
- Universal 5 VDC power supply
- Motor Control Software and Documentation CD-ROM

For Z8FMC16100 Series Motor Control Development Kit installation and setup instructions, refer to [Z8FMC16100 Series Motor Control Development Kit Quick Start Guide \(QS0054\)](#).

Development Kit Block Diagram

Figure 1 displays a block diagram of the Z8FMC16100 Series Motor Control Development Kit.

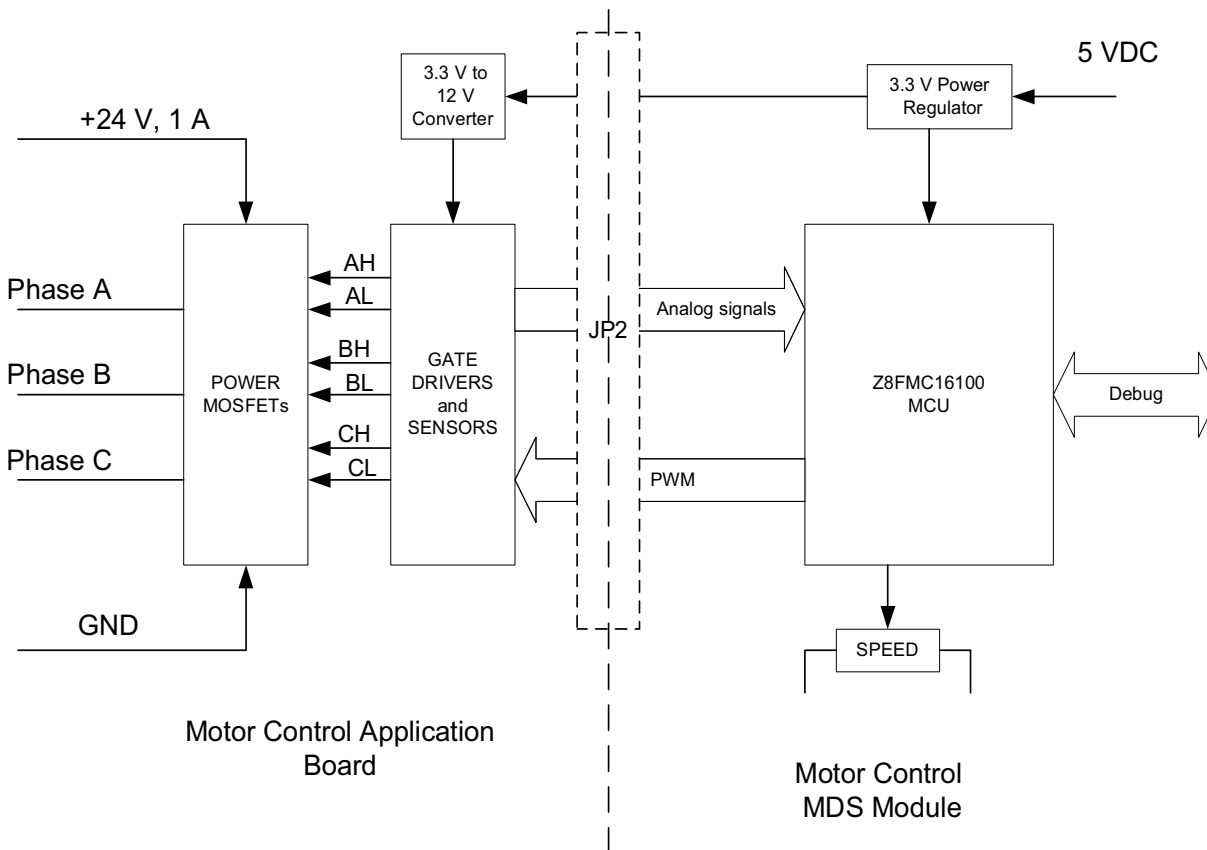


Figure 1. Z8FMC16100 Series Motor Control Development Kit Block Diagram

MC MDS Module Description

The MC MDS Module consists of a Z8FMC16100 MCU and circuitry that interfaces the chip to an external development PC running the Zilog Developer Studio II Integrated Development Environment (ZDSII IDE) and to the 3-Phase Motor Control Application Board. It also provides a prototype area for use. A diagram of the MC MDS Module is shown in Figure 2.

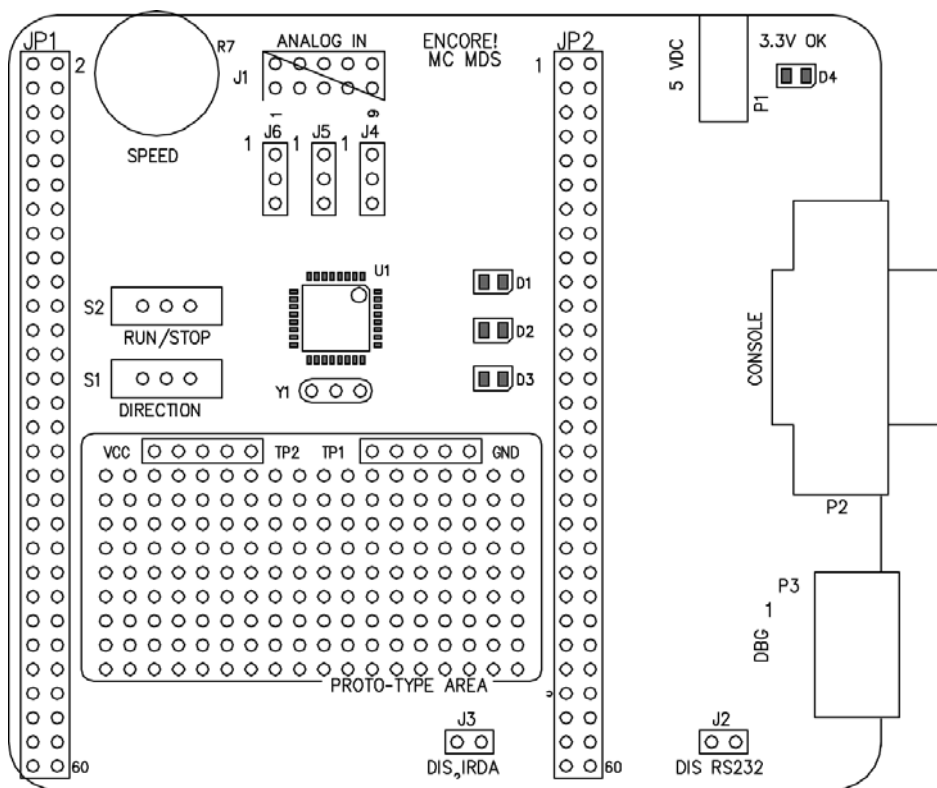


Figure 2. MC MDS Module

Features

The features of the MC MDS Module include:

- Z8FMC16100 device operating at 20MHz, with 16KB of internal Flash memory and 512B of internal register SRAM
- 20MHz ceramic resonator Y1
- Two SPDT switches, S1 and S2 (labeled DIRECTION and RUN/STOP, respectively)
- One 5K potentiometer, R7 (labeled SPEED)
- Green LED D4 (illuminates when 3.3 VDC is applied to the board)
- Three general-purpose LEDs D1, D2, and D3
- IRDA interface
- RS-232 port
- 6-pin DBG interface
- Two 60-pin headers for connecting to the 3-Phase Motor Control Application Board (JP1 and JP2; JP1 used for physical mounting only)

MCU

The Z8FMC16100 Series Flash microcontrollers, a part of the Z8 Encore! MC™ family of motor control devices are based on Zilog's advanced eZ8 8-bit CPU core. Optimized for motor control applications, these devices support the control of single and multi-phase variable-speed motors. Target applications are large appliances, small appliances, and HVAC.

The Z8FMC16100 Series Motor Control Development Kit consists of circuitry to support and present all the features of the Z8FMC16100 MCU. The key features of the Z8FMC16100 MCU include:

- 20MHz Zilog eZ8 CPU core
- 16KB Flash Program Memory
- 512B Register SRAM
- Fast 8-channel 10-bit Analog-to-Digital Converter (ADC) for current sampling and back-EMF detection
- 12-bit pulse-width modulator (PWM) module with three complementary pairs or six independent PWM outputs with dead-band generation and fault trip input
- One 16-bit timer with capture/compare/PWM capability

- One analog comparator for current limiting or over-current shutdown
- Operational Amplifier
- I²C in MASTER, SLAVE or MULTIMASTER modes
- Serial Peripheral Interface (SPI)
- Universal Asynchronous Receiver/Transmitter (UART) with LIN interface
- IrDA interface with endec
- Internal Precision Oscillator (IPO)
- Oscillator supports either internal IPO or external crystals and ceramic resonators
- Up to 17 General-Purpose Input/Output (GPIO) pins
- Voltage Brownout/Power-On Reset (VBO/POR)
- Watchdog Timer (WDT) with internal RC oscillator
- Single-pin on-chip debugger
- In-circuit serial programming
- Operation at 2.7V to 3.6V
- 32-LQFP package
- Standard temperature range: 0° to 70° (S)

For more information about the Z8FMC16100 MCU, refer to the [Z8FMC16100 Series Product Specification \(PS0246\)](#) or the [Z8FMC16100 Series Product Brief \(PB0166\)](#). Each of these documents is available in the kit CD-ROM and for download on www.zilog.com.

Connector JP2

Connector JP2 is a 60-pin header that connects I/O from the Z8FMC16100 MCU to the 3-Phase Motor Control Application Board. Figure 3 displays the pin layout. Table 1 on page 7 identifies the signals and their functions.

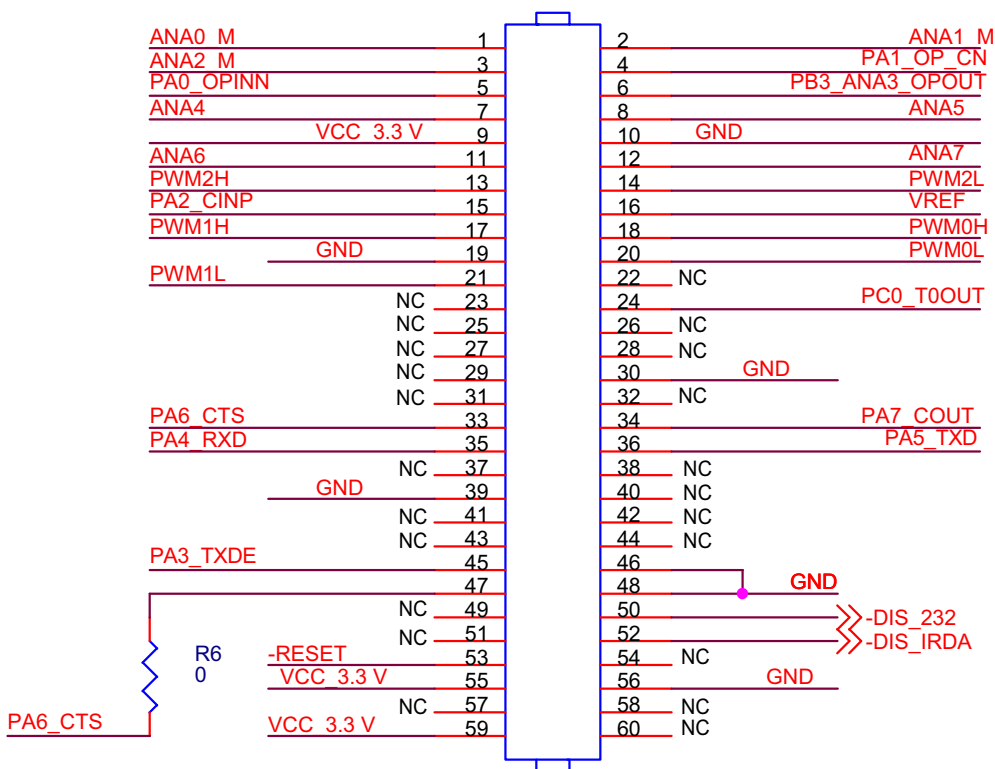


Figure 3. MC MDS Board Connector JP2

Table 1. Connector JP2 Signal Descriptions

Signal	Pin Number to MCU)	Direction (with respect	Description
General-Purpose I/O			
PA1_OP_CN	4	I/O	Port A[7:0]. Used for general-purpose I/O.
PA0_OPINN	5		
PA2_CINP	15		
PA6_CTS	33		
PA7_COUT	34		
PA4_RXD	35		
PA5_TXD	36		
PA3_TXDE	45		
ANA0_M	1	I/O	Port B[7:0]. Used for general-purpose I/O.
ANA1_M	2		
ANA2_M	3		
PB3_ANA3_OPOUT	6		
ANA4	7		
ANA5	8		
ANA6	11		
ANA7	12		
PC0_T0OUT	24	I/O	Port C[0]. Used for general-purpose I/O.
Pulse-Width Modulator for Motor Control			
PWM2H	13	O	PWM High output.
PWM1H	17		
PWM0H	18		
PWM2L	14	O	PWM Low output.
PWM0L	20		
PWM1L	21		
PA7_COUT	34	I	PWM FAULT condition input. FAULT0/RESET is active Low, FAULT1/PA7_COUT is active High.
RESET	53		
Timers			
PC0_T0OUT	24	O	General-Purpose Timer Outputs.
PA7_COUT	34		
ANA0_M	1	I	General-Purpose Timer Inputs—Used as capture, gating and counter inputs.
ANA1_M	2		
ANA2_M	3		

Table 1. Connector JP2 Signal Descriptions (Continued)

Signal	Pin Number to MCU)	Direction (with respect	Description
UART Controller			
PA5_TXD	36	O	Transmit Data—This signal is the transmit output from the UART and IrDA.
PA4_RXD	35	I	Receive Data—This signal is the receiver input for the UART and IrDA.
PA6_CTS	33	I	Clear To Send signal from the receiving device that is ready to receive data.
PA3_TXDE	45	O	Driver Enable—This signal allows automatic control of external RS-485 drivers. The DE signal ensures that an external RS-485 driver is enabled when data is transmitted by the UART.
Analog			
ANA0_M	1	I	Analog Input. These signals are inputs to the ADC.
ANA1_M	2		
ANA2_M	3		
PB3_ANA3_OPOUT	6		
ANA4	7		
ANA5	8		
ANA6	11		
ANA7	12		
PA2_CINP	15	I	Comparator positive input.
ANA4	7	I	Comparator negative input.
PA7_COUT	34	O	Comparator output.
PA1_OP_CN	4	I	Operational amplifier positive input.
PA0_OPINN	5	I	Operational amplifier negative input.
PB3_ANA3_OPOUT	6	O	Operational amplifier output.
RESET-PWM Fault			
RESET/FAULT0	53	I/O	RESET input pin generates a Reset or PWM fault when asserted (driven Low). The function selection is determined by the FLTSEL bit of the User Options Bits at MCU Program Memory Address 0001h, and the FAULTSEL bit in the MCU Reset Status and Control Register.
Power Supply			
VCC_3.3 V	9, 55, 59		3.3VDC Power.
GND	10, 19, 30, 39, 46, 48, 56		Ground.

Jumper and Switch Settings

The MC MDS Module has two SPDT switches (S1 and S2) and a 10K Ω potentiometer (R7) used by the development kit's preloaded demonstration software to perform the following functions:

- S1, DIRECTION.** Used to change the spin direction of the 3-phase motor. .
- S2, RUN/STOP.** Used to turn the 3-phase motor ON and OFF. .
- R7, SPEED.** Used to adjust the RPM of the 3-phase motor. .

The jumpers on the MC MDS Module function as described in Table 2.

Table 2. MC MDS Module Jumper Settings

Jumper	Jumper Name	Shunt Position	Function
J2	DIS_RS232	IN	Disables the RS-232 interface.
		OUT	Enables the RS-232 interface.
J3	DIS_IRDA	IN	Disables the IRDA interface.
		OUT	Enables the IRDA interface.
J4	J4	1–2	Enables external analog input from header J1 (ANA2).
		2–3	Disables external analog input from header J1 (ANA2).
J5	J5	1–2	Enables external analog input from header J1 (ANA1).
		2–3	Disables external analog input from header J1 (ANA1).
J6	J6	1–2	Enables external analog input from header J1 (ANA0).
		2–3	Disables external analog input from header J1 (ANA0).

Physical Dimensions

The footprint of the MC MDS Module's PCB is 9.14cm x 8.12cm. When mounted on the 3-Phase Motor Control Application Board, the overall development kit height is 4.31 cm.

3-Phase Motor Control Application Board

The 3-Phase Motor Control Application Board provides circuitry that drives the 3-phase 24 VDC, 3200 RPM motor included with the development kit (see Figure 4). It provides fused 24 VDC inputs for supplying external adjustable workbench power to run the motor, and interfaces the motor to the Z8FMC16100 MCU mounted on the MC MDS Module.

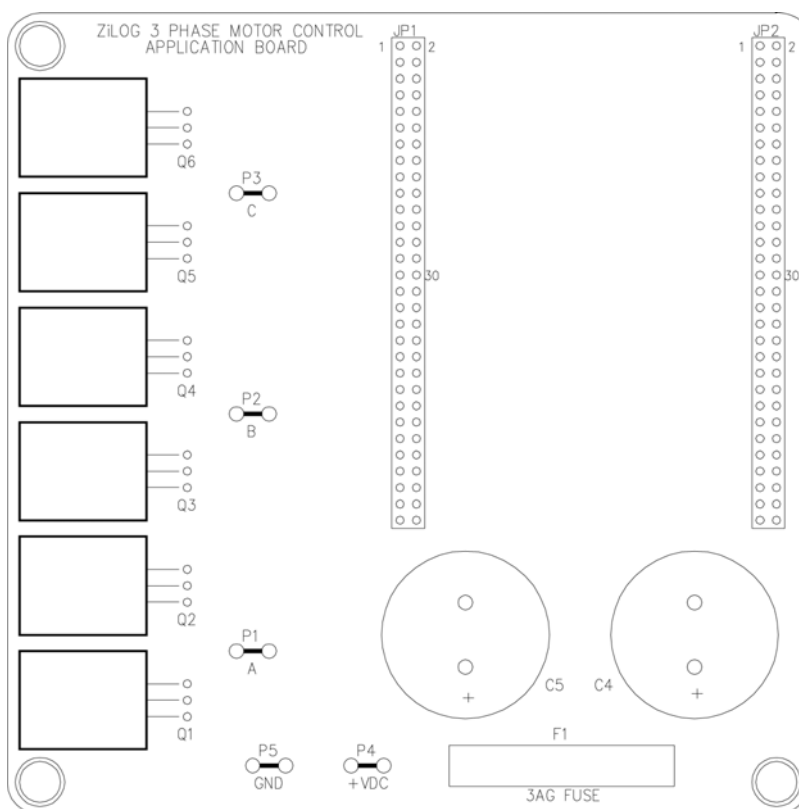


Figure 4. 3-Phase Motor Control Application Board

Features

The features of 3-Phase Motor Control Application Board include:

- Three spade lug connectors, one for each motor phase
- Dual power MOSFETs for each motor phase
- Heat-sink temperature sensor

- Spade lug connectors for power input from adjustable 24VDC power source (for connecting to the 3-phase motor)
- 5 A fuse, F1
- Two 60-pin headers for connection to the MC MDS Module (JP1 and JP2; JP1 used for physical mounting only)

Power MOSFETs and Gate Drivers

Each of the phase outputs on spade lugs P1, P2 and P3 are driven by a pair of power MOSFETs, one for the high side and one for the low side. A gate driver circuit is associated with each pair of power MOSFETs.

Fused External Power Interface

An interface to an adjustable 0VDC to 24VDC workbench power supply is provided through spade lug connectors P4 (+) and P5 (-). The input power is fused through 5 A 3AG fuse F1.

Physical Dimensions

The footprint of the 3-Phase Motor Control Application Board PCB is 12.44 cm x 12.44cm. With the MC MDS Module mounted on it, the overall development kit height is 4.31 cm.

ZDSII

The Zilog Developer Studio II Integrated Development Environment (ZDSII IDE) is a complete stand-alone system that provides a state-of-the-art development environment. Based on the Windows[®] Win98SE/NT4.0-SP6/Win2000-SP2/WinXP user interfaces, ZDSII integrates a language-sensitive editor, project manager, C-Compiler, assembler, linker, librarian and source-level symbolic debugger that supports the Z8FMC16100 device.

Troubleshooting and Developer Guidelines

Overview

Before contacting Zilog Customer Support to submit a problem report, please observe the steps that follow. If there is a hardware failure, contact a local Zilog representative for assistance.

Recheck Procedures with the Quick Start Guide

Follow the procedures in the [Z8FMC16100 Series Motor Control Development Kit Quick Start Guide \(QS0054\)](#), and verify that the kit is set up as specified. This quick start guide is available in the Z8FMC16100 Series Motor Control Development Kit.

IrDA Port Not Working

If you plan on using the IrDA transceiver on the MC MDS Module, ensure that the hardware is set up as follows:

- DIS_IRDA jumper J3 must be OUT (shunt not installed) to enable the control gate that drives the IrDA device
- DIS_RS232 jumper J2 must be IN (shunt installed) to disable the console serial port driver

Zilog Customer Support Contact

For additional troubleshooting solutions, refer to *ZDSII Online Help*. For valuable information about customer and technical support, as well as hardware and software development tools, visit the Zilog website at www.zilog.com, where you'll also find the latest released versions of ZDS II.

Linux Motor Wiring Information

The Linux 3-phase motor included with the development kit provides three heavy-gauge wires for phase connections and five light-gauge wires used to power and access internal sensors, as indicated in Table 3.

Table 3. 3-Phase Motor Wiring Information

Wire	Description
Heavy-gauge white wire	Motor Phase A connection
Heavy-gauge blue wire	Motor Phase B connection
Heavy-gauge green wire	Motor Phase C connection
Light-gauge red wire	Sensor power V_{CC} (+)
Light-gauge black wire	Sensor power ground (-)
Light-gauge white wire	Sensor signal S_A
Light-gauge blue wire	Sensor signal S_B
Light-gauge green wire	Sensor signal S_C

Schematics

Figures 5 through 7 display schematic diagrams for the 3-Phase Motor Control Application Board.

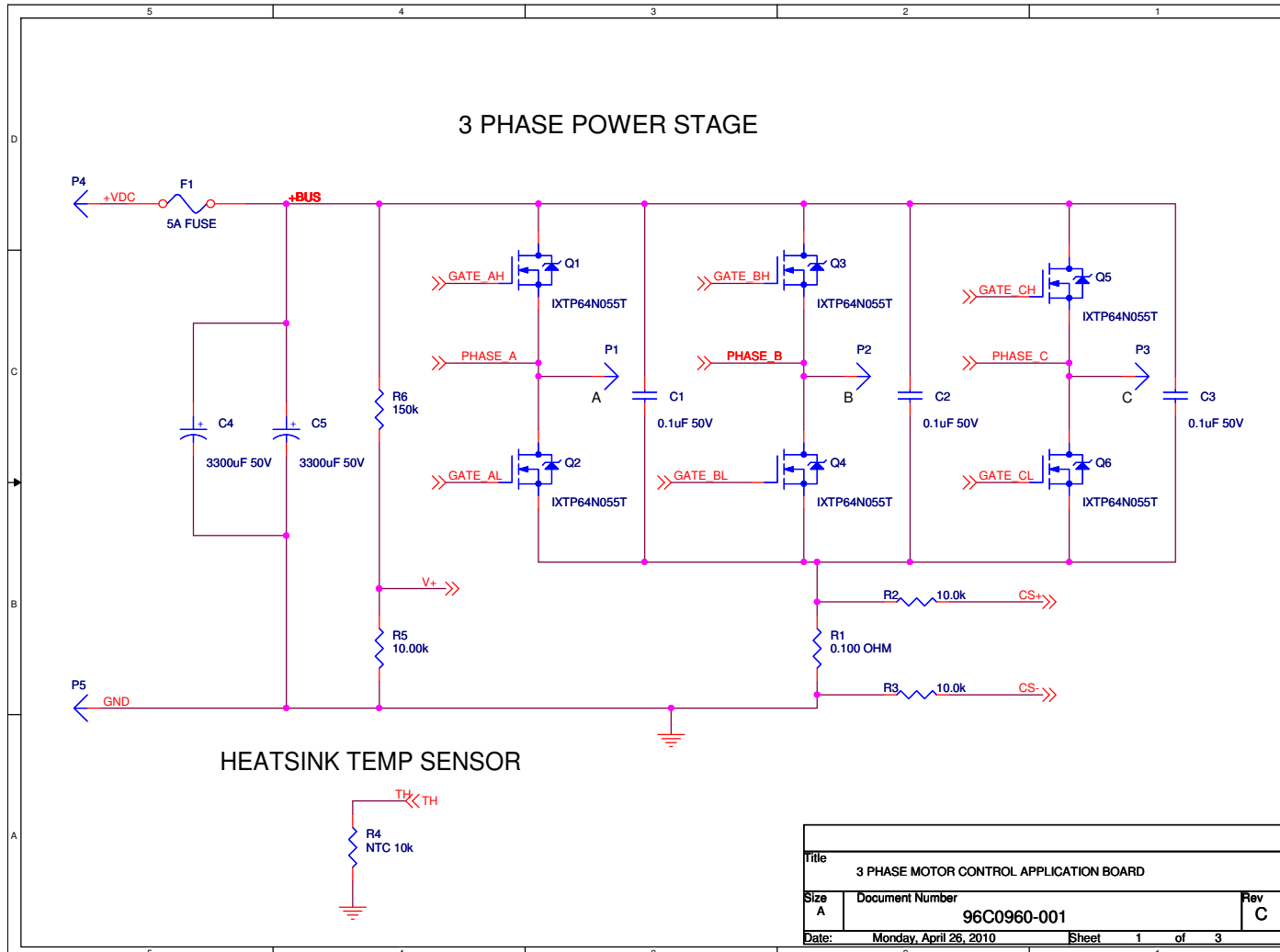


Figure 5. 3-Phase Motor Control Application Board Schematic, #1 of 3

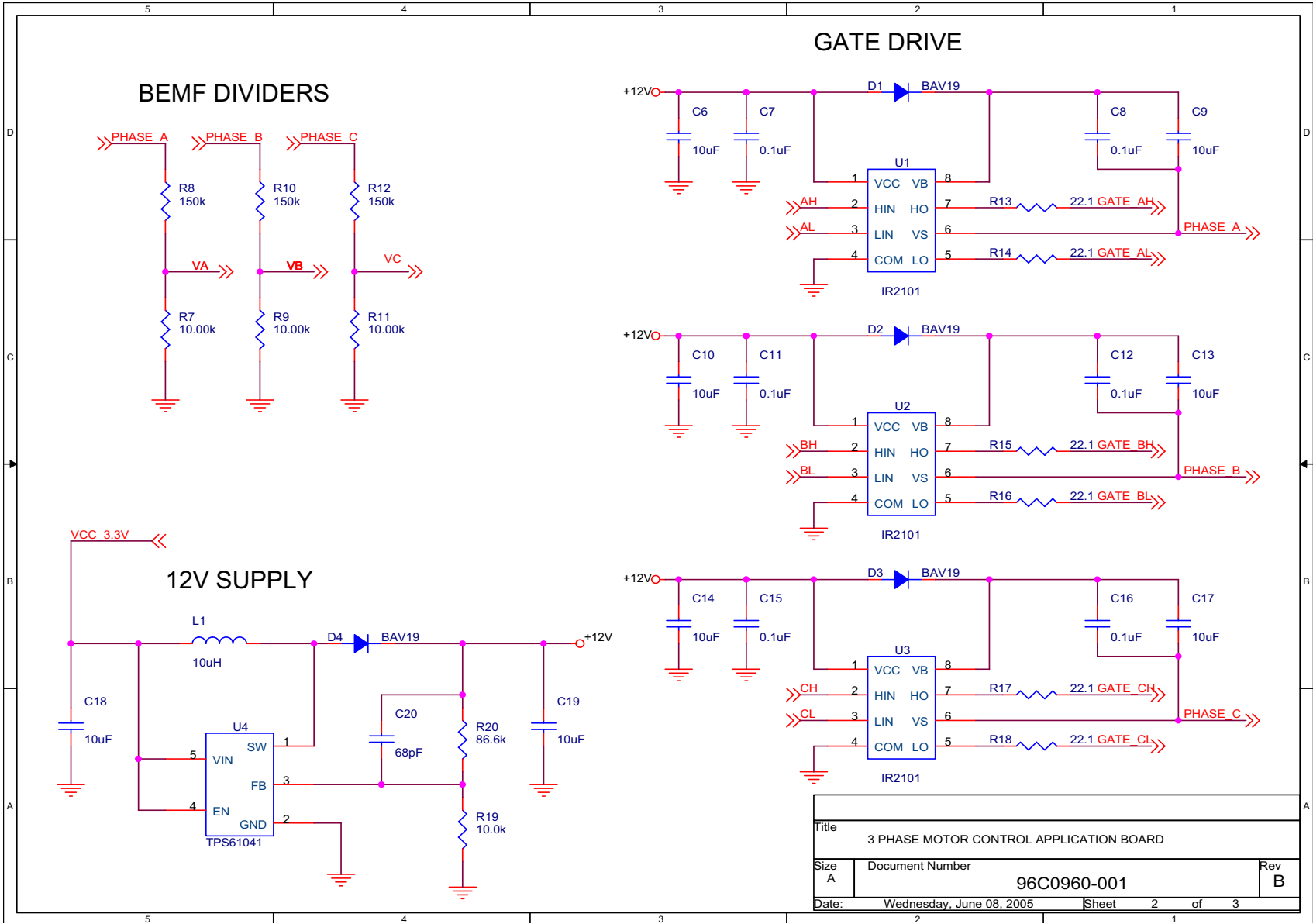


Figure 6. 3-Phase Motor Control Application Board Schematic, #2 of 3

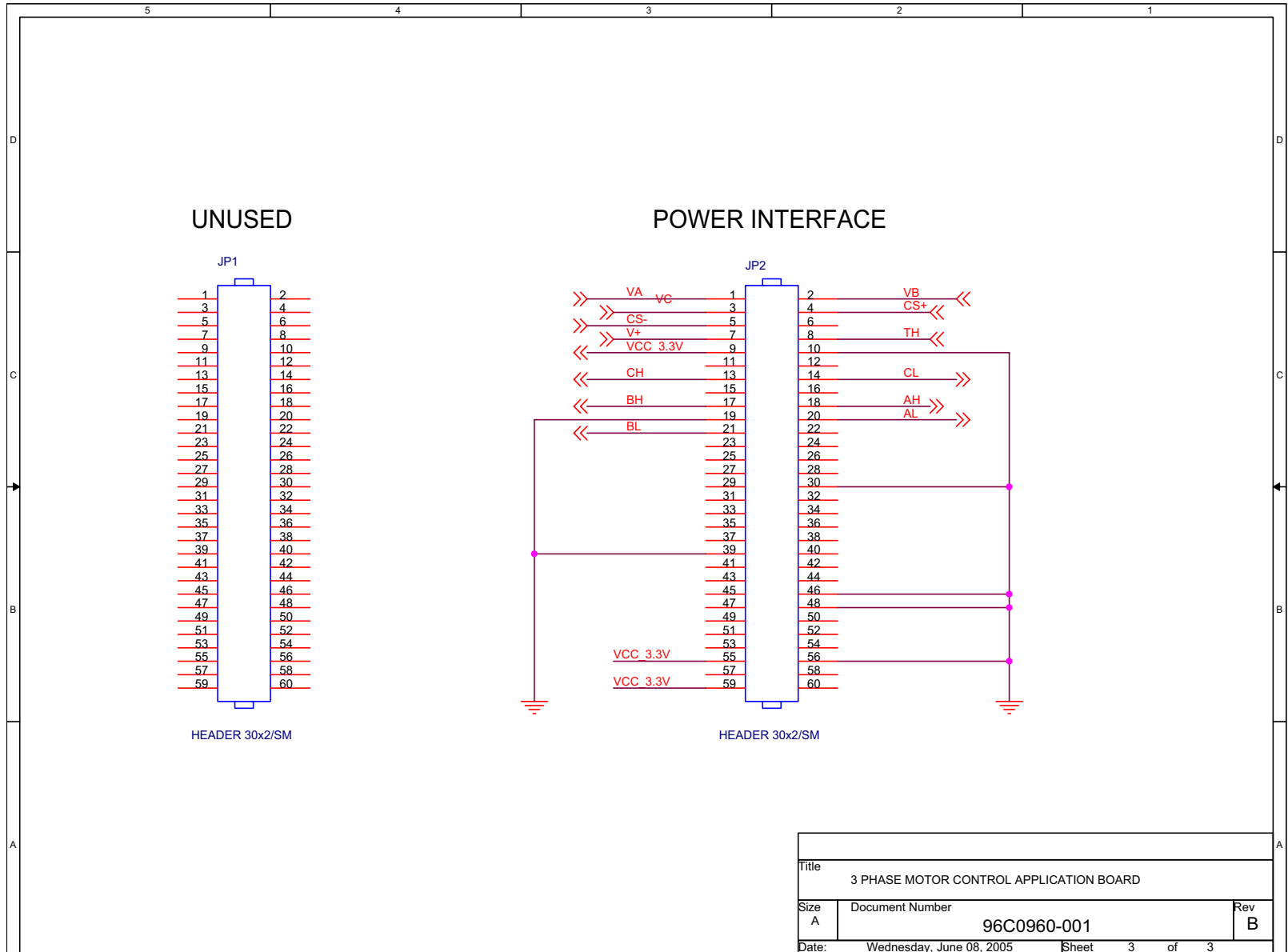


Figure 7. 3-Phase Motor Control Application Board Schematic, #3 of 3

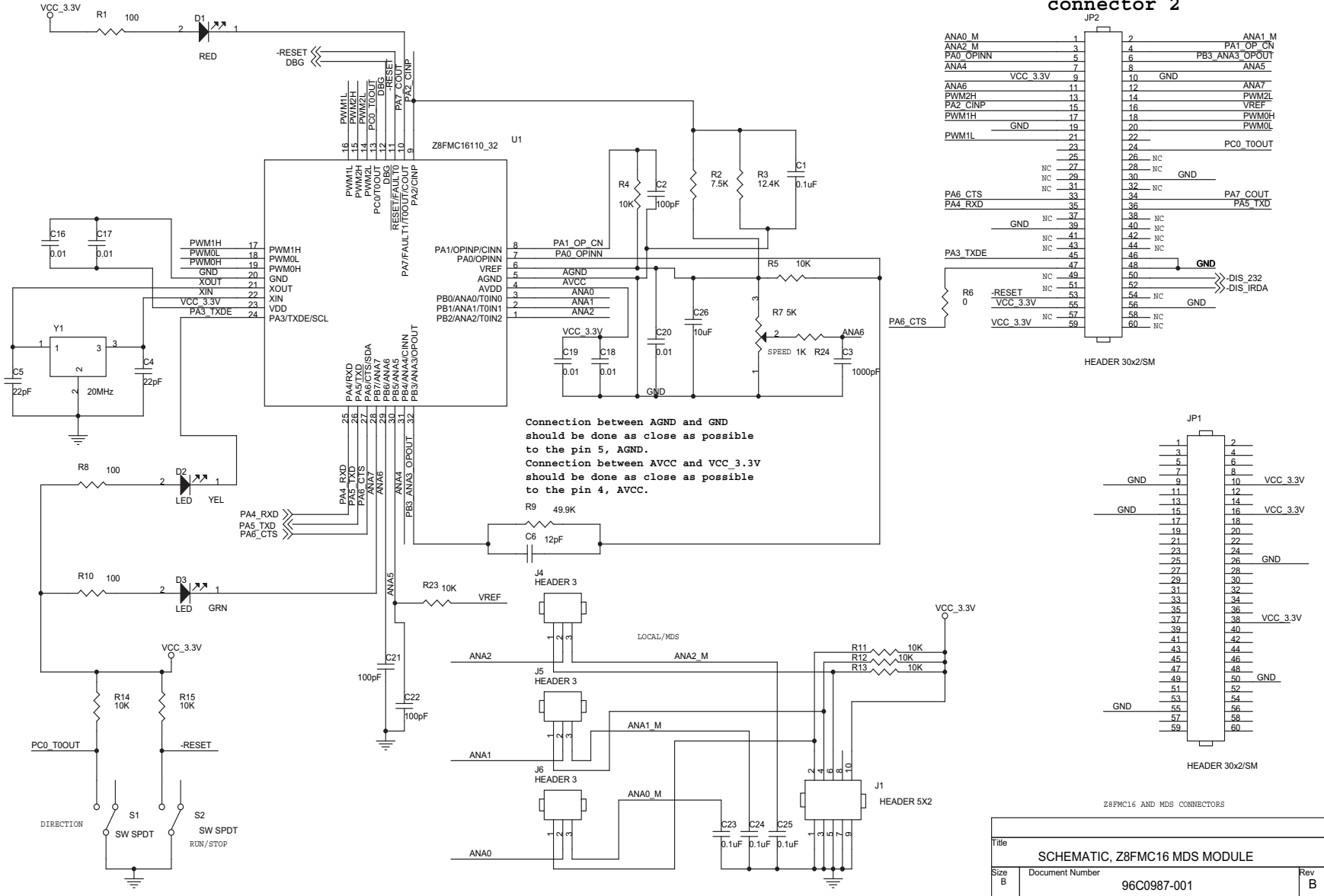


Figure 8. MC MDS Board Schematic, #1 of 2

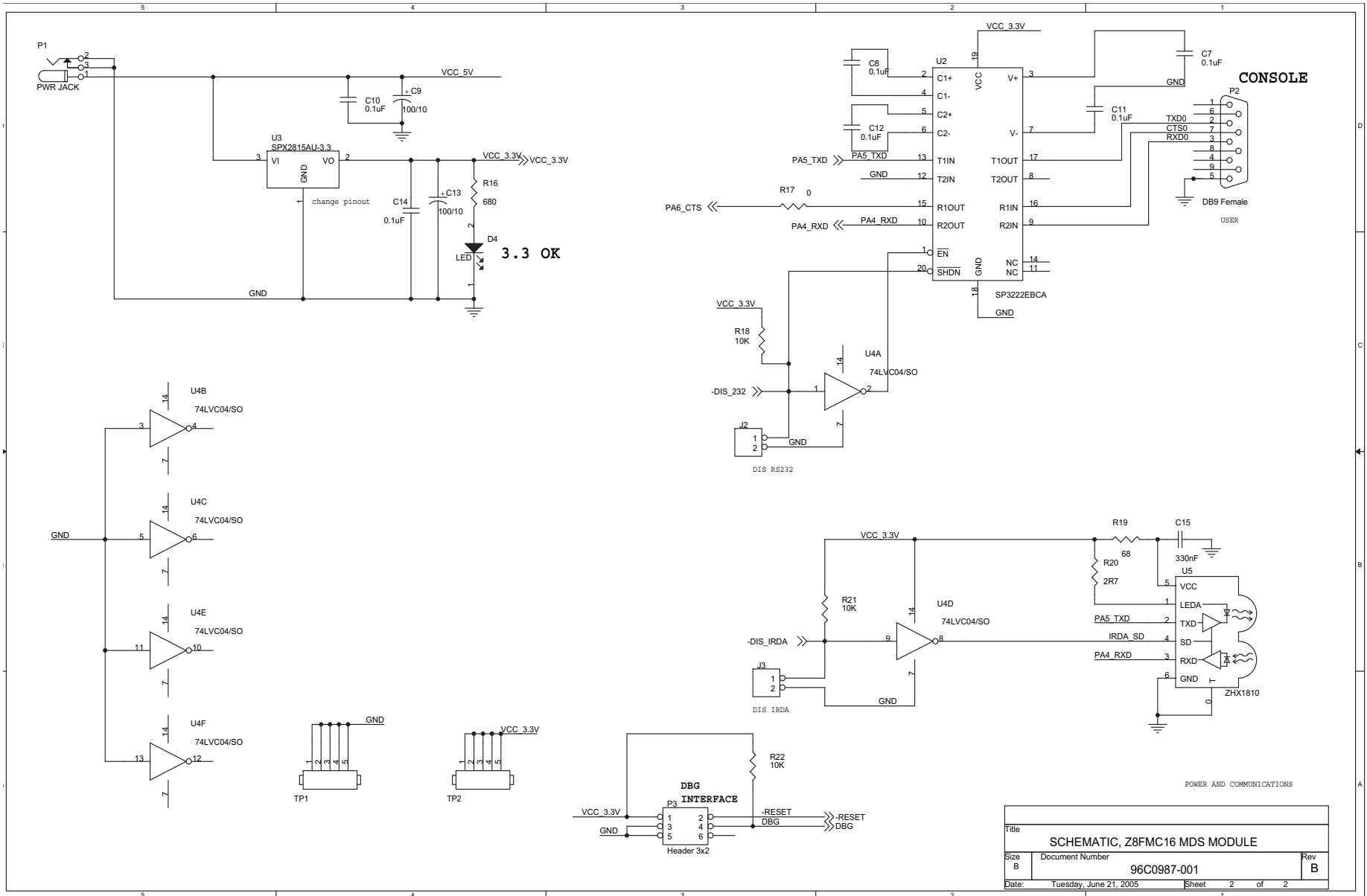


Figure 9. MC MDS Board Schematic, #2 of 2

Customer Support

To share comments, get your technical questions answered, or report issues you may be experiencing with our products, please visit Zilog's Technical Support page at <http://support.zilog.com>.

To learn more about this product, find additional documentation, or to discover other facets about Zilog product offerings, please visit the [Zilog Knowledge Base](#) or consider participating in the [Zilog Forum](#).

This publication is subject to replacement by a later edition. To determine whether a later edition exists, please visit the Zilog website at <http://www.zilog.com>.

**Z8FMC16100 Series Motor Control Development Kit
User Manual**



20