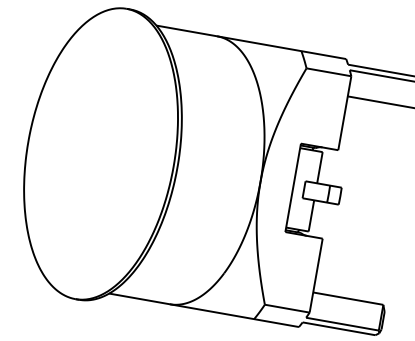


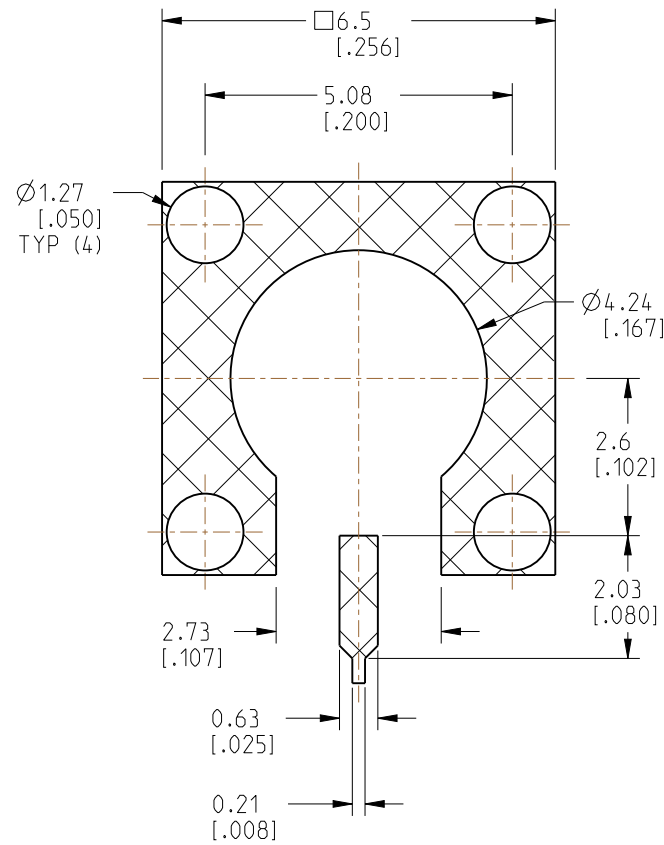
NOTES:

1. MATERIALS AND FINISHES:
 BODY - BRASS, GOLD PLATING
 CONTACT - BRASS, GOLD PLATING
 INSULATOR - LCP E130i, NATURAL
2. ELECTRICAL:
 A. IMPEDANCE: 50 OHM
 B. FREQUENCY RANGE: DC-20 GHz
 C. VSWR (RETURN LOSS): 1.10 (-26.4 dB MIN.) MAX. @ DC-8 GHz
 1.22 (-20 dB MIN.) MAX. @ 8-20 GHz
 CONNECTOR ONLY, PERFORMANCE WILL VARY BASED ON BOARD LAYOUT.
 D. DIELECTRIC WITHSTANDING VOLTAGE: 500 VRMS, MIN.
3. MECHANICAL:
 A. DURABILITY: 500 CYCLES MIN.
 B. TEMPERATURE RANGE: -40°C TO +85°C
4. PACKAGING:
 A. QUANTITY: TAPE & REEL PACKAGING, 800 PCS/REEL
 B. MARKING: PACKAGING TO BE MARKED
 "AMPHENOL RF, SMP-MSCM-PCT10T, AND DATE CODE"

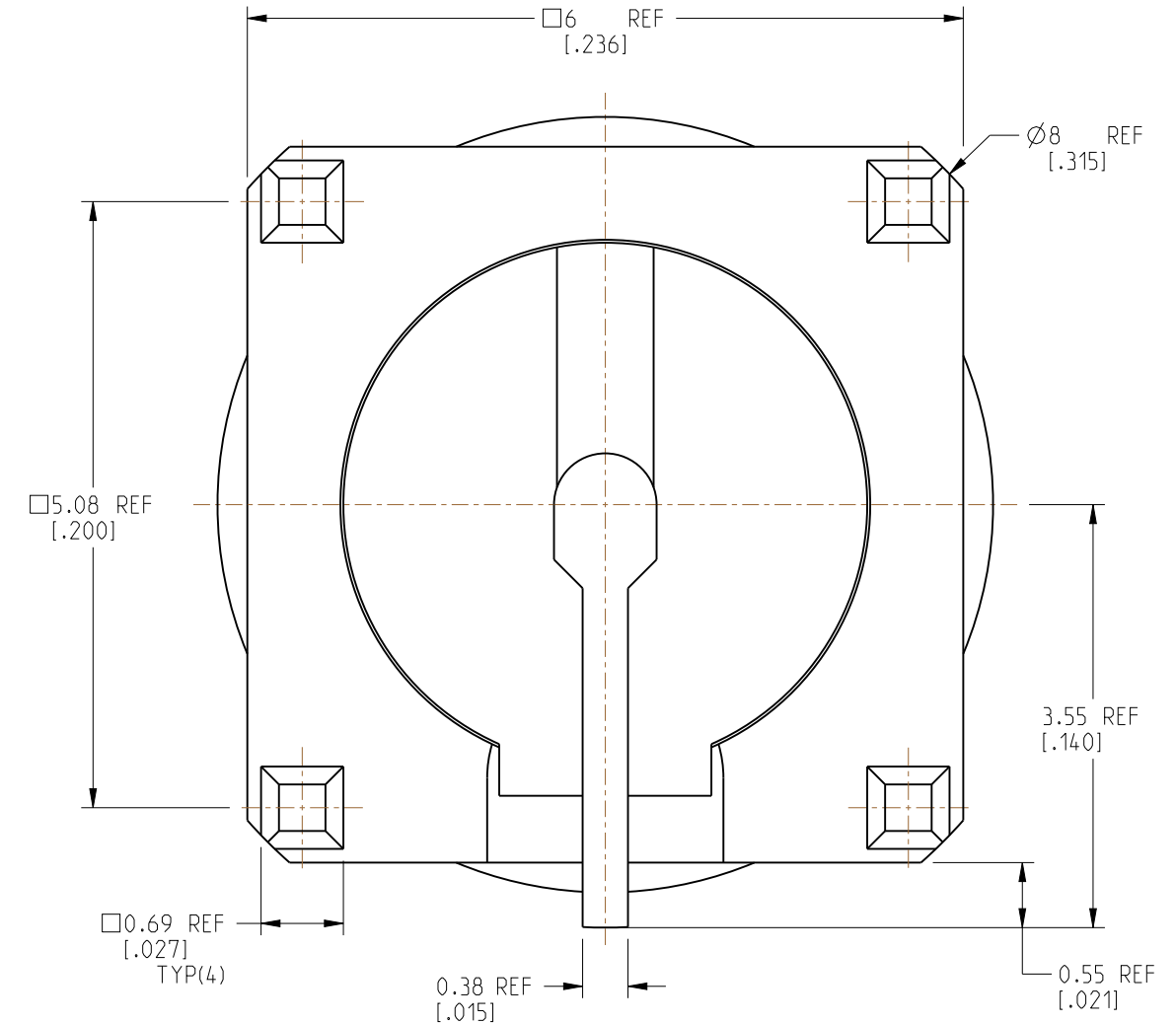
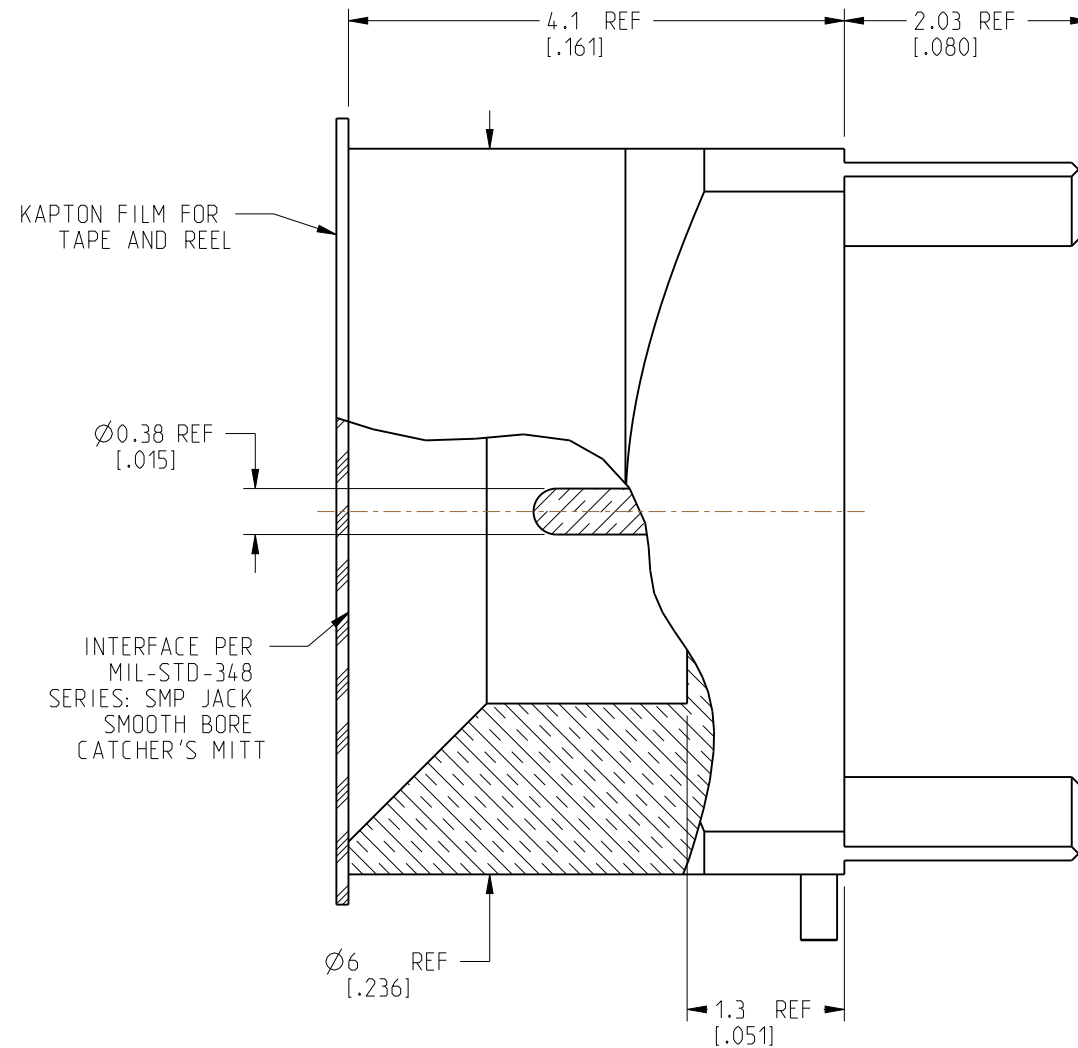
REVISIONS				
REV	DESCRIPTION	DATE	ECN	APPR
A	RELEASE TO MFG.	29-JUN-20	15254	EH



SCALE 6.000



RECOMMENDED PCB LAYOUT



CUSTOMER OUTLINE DRAWING

ALL OTHER SHEETS ARE FOR INTERNAL USE ONLY

NOTICE: These drawings, specifications, or other data (1) are, and remain the property of Amphenol corp. (2) must be returned upon request; and (3) are confidential and not to be disclosed to any person other than those to whom they are given by Amphenol Corp. The furnishing of these drawings, specifications, or other data by Amphenol Corp., or to any other person to anyone for any purpose is not to be regarded by implication or otherwise in any manner licensing, granting rights to permitting such holder or any other person to manufacture, use or sell any product, process or design, patented or otherwise, that may in any way be related to or disclosed by said drawings, specifications, or other data.

UNLESS OTHERWISE SPECIFIED DIMENSIONS ARE METRIC (INCHES) AND TOLERANCES ARE:
 <0.5mm = ± 0.05 mm [$\pm 0.020 = \pm 0.002$]
 >0.5 - 6mm = ± 0.1 mm [$>0.020 - 0.236 = \pm 0.004$]
 >6.00 - 30mm = ± 0.2 mm [$>0.236 - 1.181 = \pm 0.008$]
 >30.00 - 120mm = ± 0.3 mm [$>1.181 - 4.725 = \pm 0.012$]

MATERIAL NOTE 1

TITLE SMP SMOOTH BORE JACK THROUGH HOLE CATCHER'S MITT

Amphenol RF

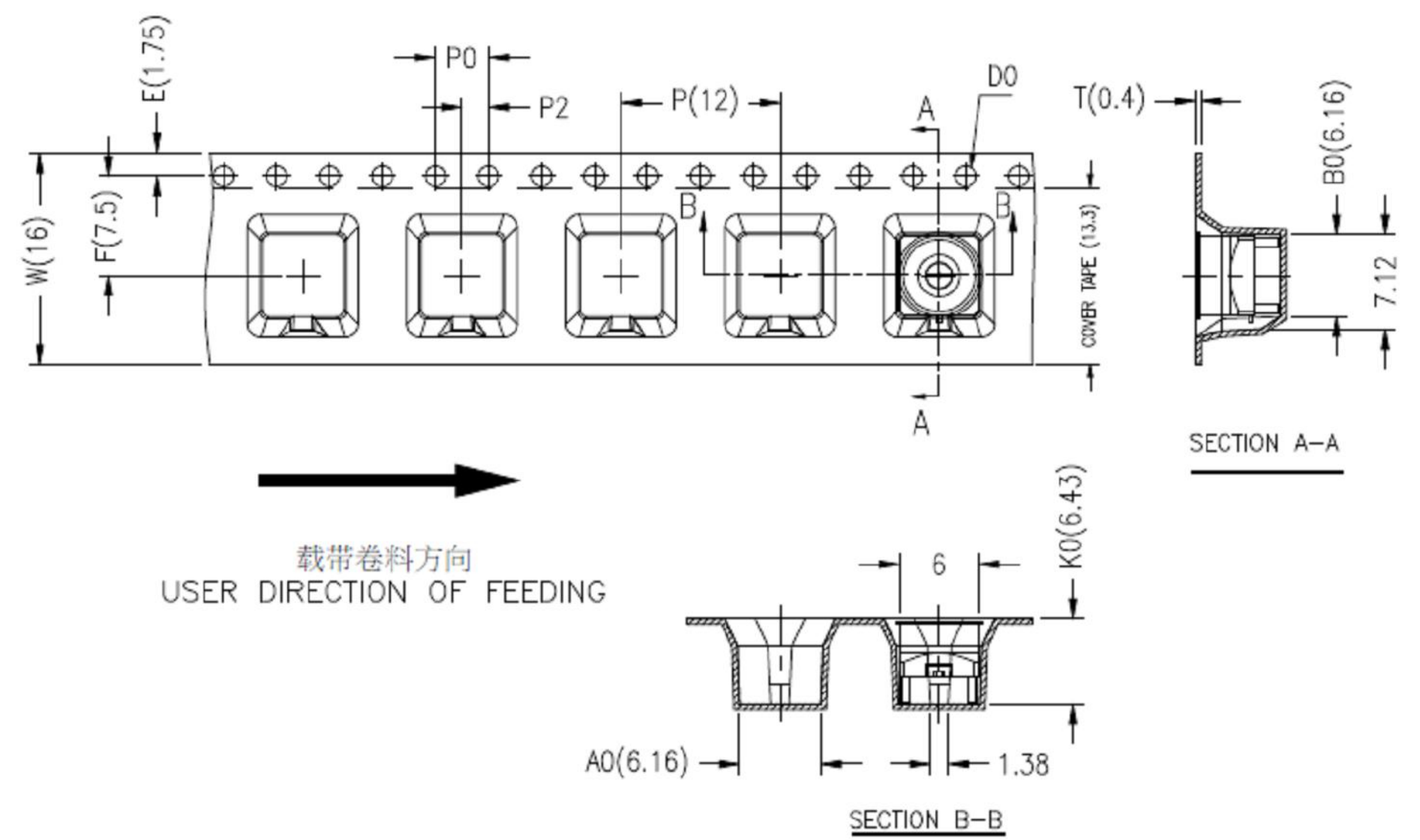
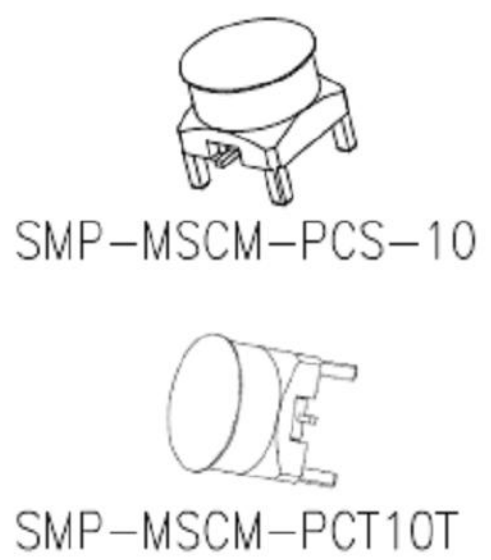
SIZE B	DRAWING NO. SMP-MSCM-PCT10T	REV A
	ITEM NO. SMP-MSCM-PCT10T	
	PART NO. SMP-MSCM-PCT10T	

THIRD ANGLE PROJ.	REFERENCE SMP-MSCM-PCS-10	EAR# 9644
-------------------	---------------------------	-----------

ENGINEER E. HILL	DATE 02-APR-20
------------------	----------------

SHEET NO. 2 OF 3	SCALE: 16.0:1.0
------------------	-----------------

REVISIONS				
REV	DESCRIPTION	DATE	ECN	APPR
A	RELEASE TO MFG.	29-JUN-20	15254	EH



1. 10 sprocket hole pitch cumulative tolerance ± 0.20 mm.
2. Carrier camber not to exceed 1 mm in 250 mm.
3. A_0 and B_0 measured on a plane 0.3 mm above the bottom of the pocket.
4. K_0 measured from a plane on the inside bottom of the pocket to the top surface of the carrier.
5. All dimensions meet EIA-481-D requirements.
6. Material: Black PS (RoHS Compliant)
7. Thickness: 0.40 ± 0.05 mm.
8. Packing length per 13" reel: 10.5 Meters.
9. Component loader per 13" reel: 800 PCS.

技术要求:
 在没有保护膜的情况下, 0-90度往返折弯3次, 卷带不会破裂; 冷封带0.3~1.3N;
 厚度及防静电要求需满足要求, 防静电性能使用寿命至少大于半年。载带侧壁支撑力2kgf以上。

ITEM	W	A_0	B_0	K_0	K_1	P	F	E	D_0	D_1	P_0	P_2	T
DIM	16 ± 0.3	6.16 ± 0.1	6.16 ± 0.1	6.43 ± 0.1		12 ± 0.1	7.5 ± 0.1	1.75 ± 0.1	$1.5^{+0.1}_{-0.00}$		4.0 ± 0.1	2.0 ± 0.1	0.40 ± 0.05

NOTICE: These drawings, specifications, or other data (1) are, and remain the property of Amphenol corp. (2) must be returned upon request; and (3) are confidential and not to be disclosed to any person other than those to whom they are given by Amphenol Corp. The furnishing of these drawings, specifications, or other data by Amphenol Corp., or to any other person to anyone for any purpose is not to be regarded by implication or otherwise in any manner licensing, granting rights to permitting such holder or any other person to manufacture, use or sell any product, process or design, patented or otherwise, that may in any way be related to or disclosed by said drawings, specifications, or other data.

THIRD ANGLE PROJ. REFERENCE SMP-MSCM-PCS-10 EAR# 9644

UNLESS OTHERWISE SPECIFIED DIMENSIONS ARE METRIC (INCHES) AND TOLERANCES ARE:
 $< 0.5\text{mm} = \pm 0.05\text{mm}$ [$< 0.020 = \pm 0.002$]
 $> 0.5 - 6\text{mm} = \pm 0.1\text{mm}$ [$> 0.020 - 0.236 = \pm 0.004$]
 $> 6.00 - 30\text{mm} = \pm 0.2\text{mm}$ [$> 0.236 - 1.181 = \pm 0.008$]
 $> 30.00 - 120\text{mm} = \pm 0.3\text{mm}$ [$> 1.181 - 4.725 = \pm 0.012$]

ANGLES = $\pm 1^\circ$

MATERIAL

ENGINEER E. HILL DATE 02-APR-20

TITLE SMP SMOOTH BORE JACK THROUGH HOLE CATCHER'S MITT

SHEET NO. 3 OF 3 SCALE: 16.0:1.0

Amphenol RF

SIZE B DRAWING NO. SMP-MSCM-PCT10T ITEM NO. SMP-MSCM-PCT10T PART NO. SMP-MSCM-PCT10T REV A