

SM-UART-04L PM2.5 + PM10 Particulate Dust Sensor



Telaire SM-UART-04L Particulate Dust Sensor is designed for a wide range of air quality applications where fine particle dust needs to be measured. Applications include air quality meters and air purifiers for both residential and light industrial monitoring and control. The optical design leverages laser technology, which allows customers to achieve excellent performance with balanced reliability. SM-UART-04L is an ideal solution for industrial and consumer applications.

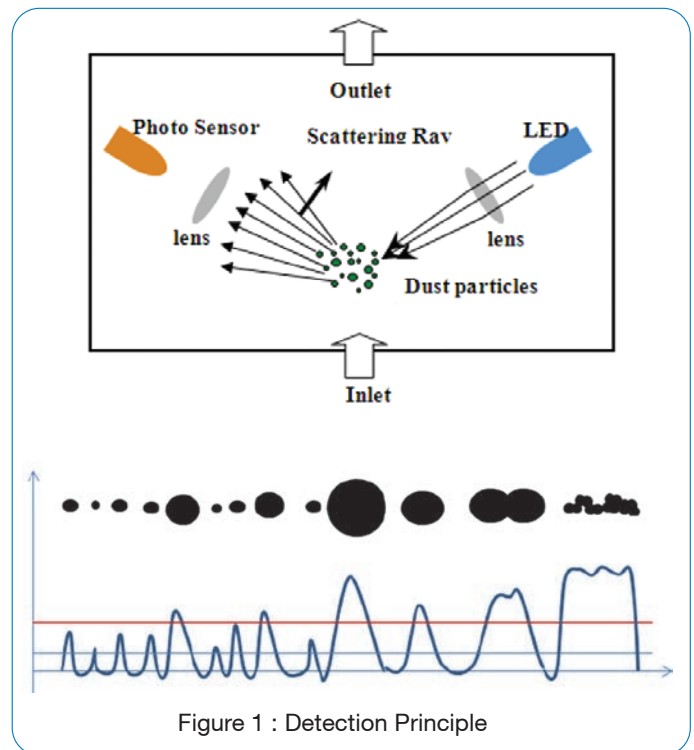
SM-UART-04L is a PM2.5 laser-based Particulate Dust Sensor that detects dust particle concentration in air by using an optical sensing method. A laser light emitting diode (laser LED) and a photo sensor are optically arranged in the device. The photo sensor detects the reflected laser LED light by dust particles in air. The dust sensor can detect small particles from large house dust by the pulse pattern of the signal output.

Features

- Laser-based optical sensing method
- High accuracy
- Fast response
- PM2.5 Output
- PM10 Calculated Output
- ROHS and REACH Compliant
- UART Series Digital Output
- Compact size
- Flexible mounting style
- Protected from EMC intrusion by metal case
- Wide detection range
- Average Time Before Recalibration: 40,000 hrs

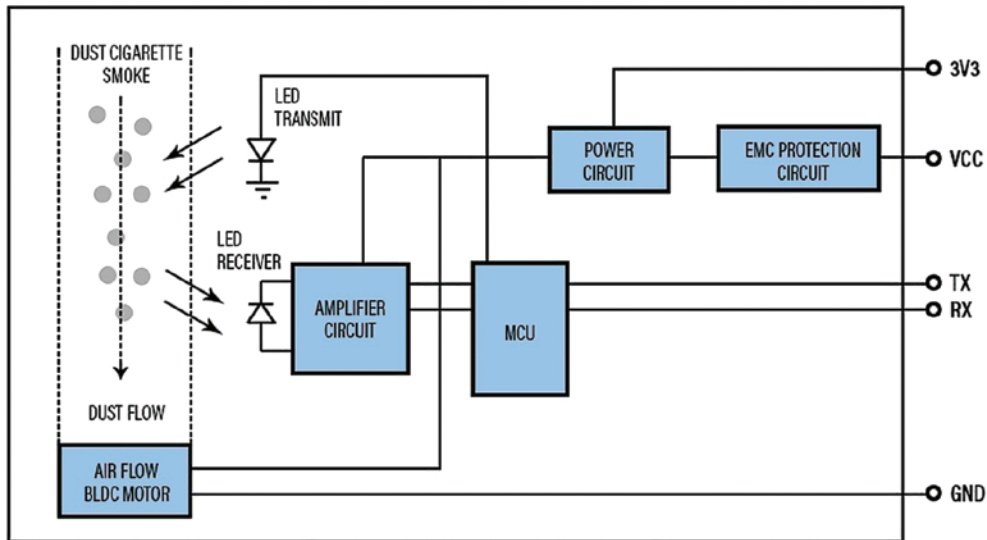
Applications

- Indoor Air Quality Monitoring
- Air Cleaners and Purifiers
- Air Conditioners and HVAC
- Outdoor Dust Monitoring (with additional protection)



SM-UART-04L Particulate Dust Sensor

Block Diagram



Calibration

Calibration carried out with cigarette smoke per GB/T1880

Absolute Maximum Ratings

Parameter	Symbol	Rating	Unit
Supply Voltage	V _{cc}	0 to + 5.5	V
Operating Temperature	T _{opr}	-10 to 50 ⁽¹⁾	°C
Storage Temperature	T _{stg}	-30 to 70	°C
Operating Humidity ⁽¹⁾	RH _{opr}	0 to 95	%
Storage Humidity ⁽¹⁾	RH _{stg}	0 to 95	%

1) Non-condensing

Electrical Characteristics

Parameter	Symbol	Min.	Typ.	Max.	Unit	
Particle Size	D	0.3	2.5	10	um	
Detection Range	D _{reg}	1	—	999	µg/m ³	
Resolution	R	—	1	—	µg /m ³	
Indication Error ⁽²⁾	D _{err}	1 ~100 ug/m ³	—	—	+/-10	µg /m ³
		100~999 ug/m ³	—	—	+/-10	%
Warm-Up Time	t _{wup} ⁽²⁾	—	5	—	s	
Response Time	t _{rsp} ⁽²⁾	—	1	—	s	
Laser Life (Average Time Before Recalibration)	T	—	40,000	—	hour	
Supply Voltage	V _{cc}	4.8	5	5.2	V	
Supply Voltage Ripple	V _{cc} Ripple	—	—	30	mV	
Current Consumption	I _{cc} ⁽²⁾	—	60	100	mA	
Output (UART)		3.3V				

1) Non-condensing

2) Testing at T=25°C, RH=40-60%

SM-UART-04L Particulate Dust Sensor

Connector

Sensor Connector:

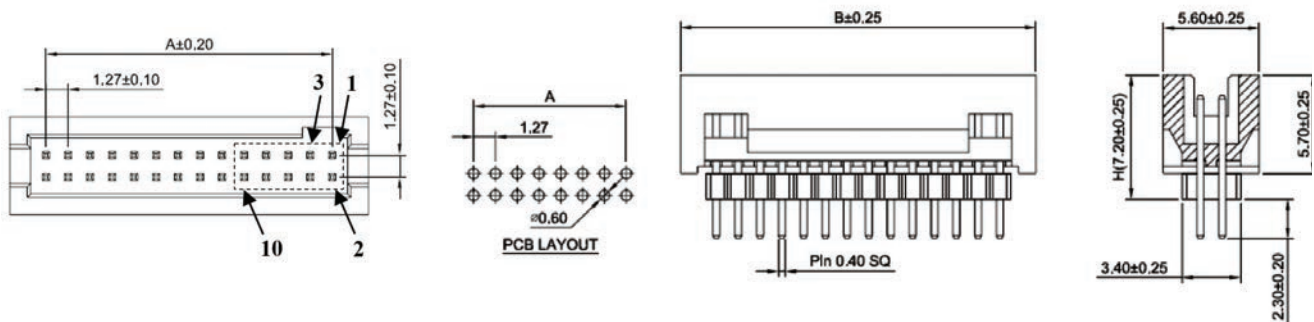
CJT A1276WVA-N-2x5P-H72

Equivalent Connector:

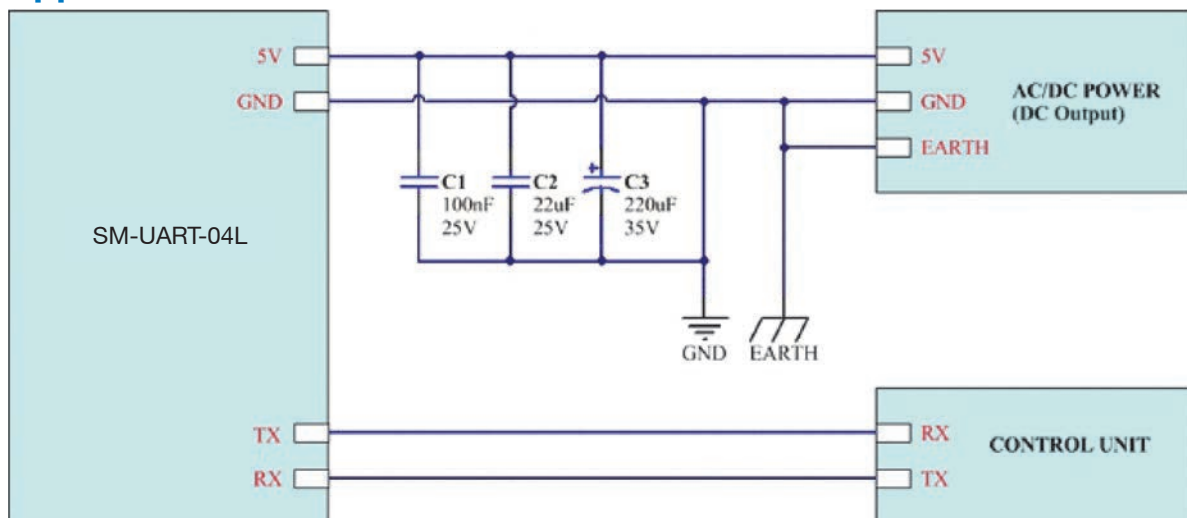
Harwin, Inc. M50-3000545; Amphenol FCI 20021311-00010T4LF

Pin #	Pin Name	Description
1	5V	Input Supply Voltage
2	5V	Input Supply Voltage
3	GND	Ground
4	GND	Ground
5	RESET	Reset Pin @3.3V TTL, Low level reset
6	NC	—
7	RXD	UART Receiver @ 3.3V TTL
8	NC	—
9	TXD	UART Transceiver @ 3.3V TTL
10	SET/SLEEP	Working Mode Pin @ 3.3V TTL Floating or high level for normal working condition. Low level for dormancy mode.

Note: Current approx 5mA in standby mode.



Application Circuit



SM-UART-04L Particulate Dust Sensor

Communication Protocol - UART

UART Serial Configuration	
Baud Rate	9600 bps
Data Bits	8
Parity	None
Stop Bits	1

Communication Protocol - Default Output UART Frame Format

Head 1	0x42	
Head 2	0x4D	
H_Length	...	Length = 2 * 13 + 2 (Data+CS)
L_Length	...	
H_D1	...	PM1 = H_D1 * 256 + L_D1 ug/m3 (Standard Smoke, Calculated Value)
L_D1	...	
H_D2	...	PM2.5 = H_D2 * 256 + L_D2 ug/m3 (Standard Smoke, Calibrated Value)
L_D2	...	
H_D3	...	PM10 = H_D3 * 256 + L_D3 ug/m3 (Standard Smoke, Calculated Value)
L_D3	...	
H_D4	...	Reserve
L_D4	...	
H_D5	...	Reserve
L_D5	...	
H_D6	...	Reserve
L_D6	...	
H_D7	...	Reserve
L_D7	...	Reserve
H_D8	...	Reserve
L_D8	...	Reserve
H_D9	...	Reserve
L_D9	...	Reserve
H_D10	...	Reserve
L_D10	...	Reserve
H_D11	...	Reserve
L_D11	...	Reserve
H_D12	...	Reserve
L_D12	...	Reserve
H_D13	...	Reserve
L_D13	...	Error code 0b0ABCDEFG A = X Reserve B = X Reserve C = 1 High temperature alarm D = 1 Low temperature alarm E = 1 Fan error F = X Reserve G = X Reserve
H_CS	...	CS = HEAD1 + HEAD2 + ... + L_D13
L_CS	...	

* We recommend using PM values with standard smoke.

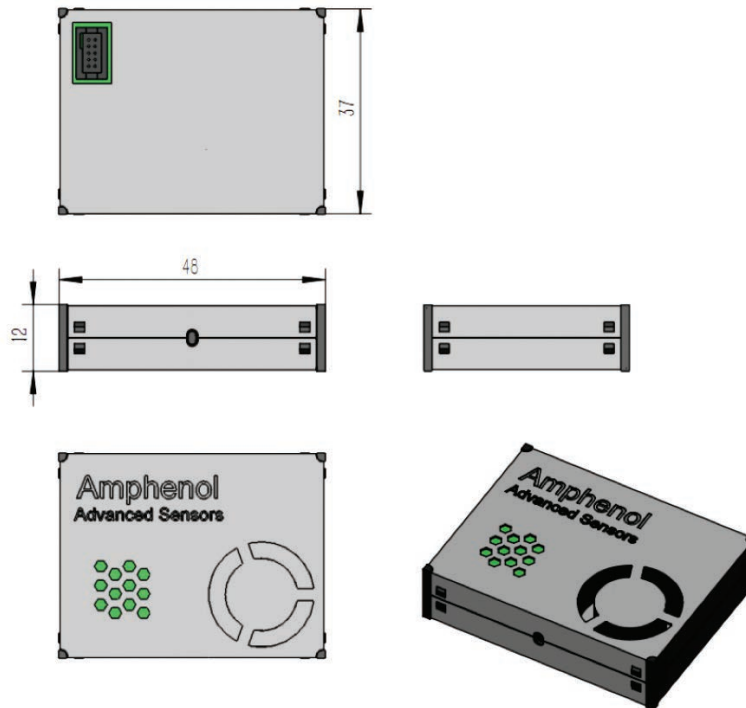
SM-UART-04L Particulate Dust Sensor

Response Mode - Command Frame

Head 1	Head 2	CMD	D1	D2	CRC1	CRC2
0x42	0x4D	CMD	DATAH	DATAL	LRCH	LRCL

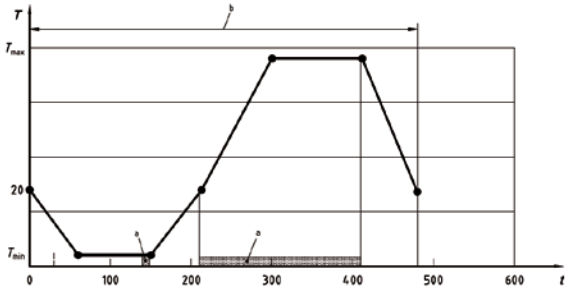
CMD	DATAH	DATAL	Description	Response
0xE2	X	X	Get reading	Same format as above table
0xE1	X	0x00 – Ask-answer mode 0x01 – Direct output mode	Output mode switch	0x42 0x4D 0x00 0x04 0xE1 0x00 0x01 0x74 0x42 0x4D 0x00 0x04 0xE1 0x01 0x01 0x75
0xE4	X	0x00 – Standby mode 0x01 – Working mode	Standby control	0x42 0x4D 0x00 0x04 0xE4 0x00 0x01 0x77

Dimensions



SM-UART-04L Particulate Dust Sensor

Reliability

1	Drop	Drop it unintentionally from 100 cm height down to the hard wooden board three times at random direction
2	High Temp. Storage	Leave in the atmosphere 70°C for 96 hours
3	Low Temp. Storage	Leave in the atmosphere -30°C for 72 hours
4	High Temp. Operation	Operate it in the atmosphere of 50°C for 96 hours
5	Low Temp. Operation	Operate it in the atmosphere of -10°C for 72 hours
6	Temperature Cycle	Repeat 30 times in the following cycle  <p>Key T temperature, °C t time, min a Operating mode 3.2 (see ISO 16750-1) b One cycle.</p>
7	Operating Volt. Range	VCC = 4.8V/5.0V/5.2V. Verify Indication Error within SPEC (0~1000 $\mu\text{g}/\text{m}^3$)
8	Slow Decrease & Increase of Supply Voltage	Decrease the supply voltage from the minimum supply voltage 4.8V to 0V, then increase it from 0V to 5.2V, applying a change rate in equal steps of not more than 200 mV/min. Test dust concentration is 250 \pm 50 $\mu\text{g}/\text{m}^3$
9	Short Circuit Protection	Connect all pins to the pins next to them for a duration of 60s with power supplied and all other pins remain open. Class C satisfied
10	Reliability - Operating	TA=25°C, RH=30~70%, VCC=5V Continuously operate 720h. Verify Indication Error within SPEC (0~1000 $\mu\text{g}/\text{m}^3$)
11	Reliability – ON/OFF	10s ON/10s OFF, operate for 72h. Verify Indication Error within SPEC (0~1000 $\mu\text{g}/\text{m}^3$)
12	Salt Spray	According to GB/T 2423.17-93, spray 5% NaCl solution in salt mist box at 35°C for 24 hours, then clean with water after test

Characteristics Test

The sensor uses a particle counter as a reference instrument (TSI 8530 or compatible equipment). Cigarette particles were used as reference particles. Refer to Figure 2 for the output curve.

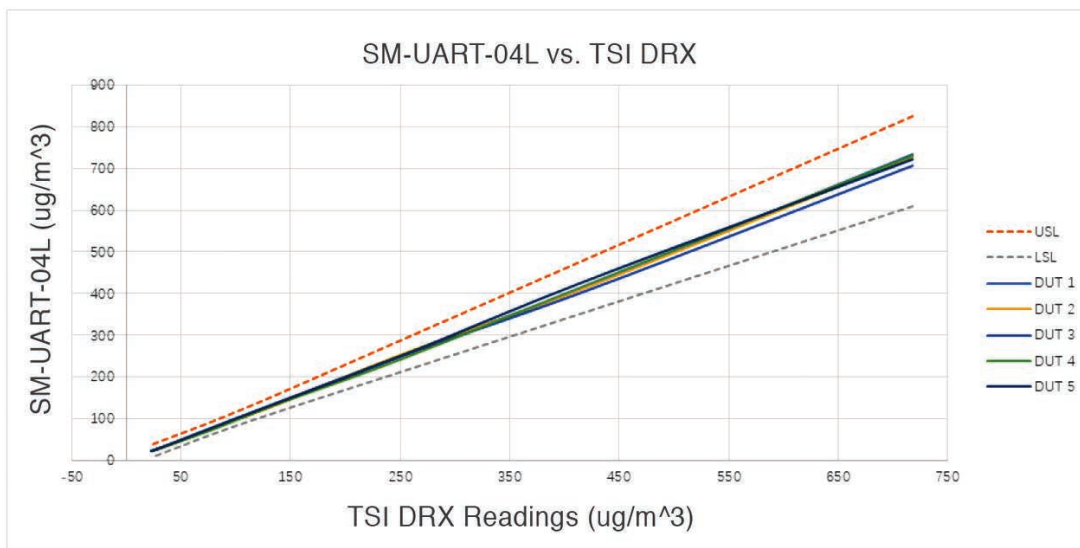


Figure 2 : Sensor Data Consistency

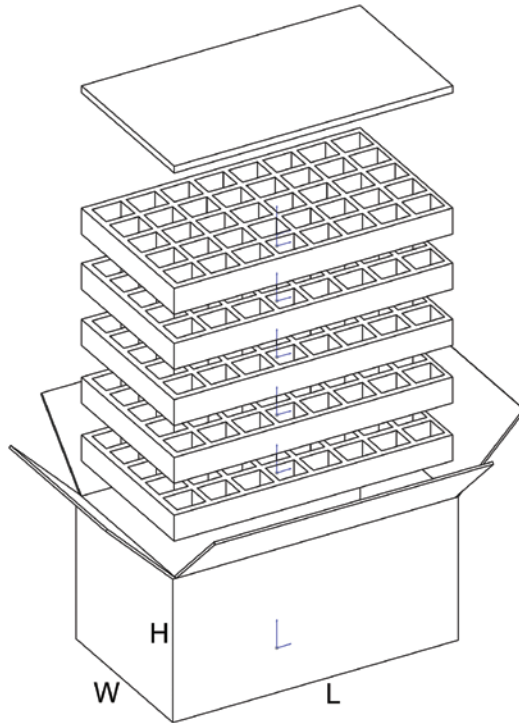
Notes:

- Test Chamber: 3m³
 - Test System: H/W and S/W - Developed by Amphenol Advanced Sensors, fan, air purifier system, cigarette lighter
 - Instrument: Standard sensor, TSI8530
 - Particle: Cigarette smoke (Hong Tashan), particle size approx 1 μm
 - Temp Control: 25 \pm 5°, Humidity: 30-70% RH
 - Power: 5.0 \pm 0.02 Volt
- Environmental Conditions:
- Environment light under 400 lux (Ref: office 300~400 lux)
 - No high voltage or electrical source
 - Do not touch during testing
 - No unintentional contamination source

SM-UART-04L Particulate Dust Sensor

Packing Specifications

Length (L)	Width (W)	Height (H)	Inner Qty	Total Qty	Weight
418.2mm	295mm	210mm	5 layer	200 pcs	5kg max



Application Notes

Grounding

The metal case is internally connected to GND. Do not strip the metal case.

Maintenance

The product is designed to be maintenance free.

Do not attempt to disassemble the device. There are no user-serviceable parts in the module. Disassembly will invalidate warranty.

Electromagnetic (EM) Noise

Excessive electromagnetic (EM) noise may degrade sensor performance. Shield sensor from EM noise in application.

Vibration

Excessive vibration may degrade sensor's performance. Please keep sensor far from vibration in application.

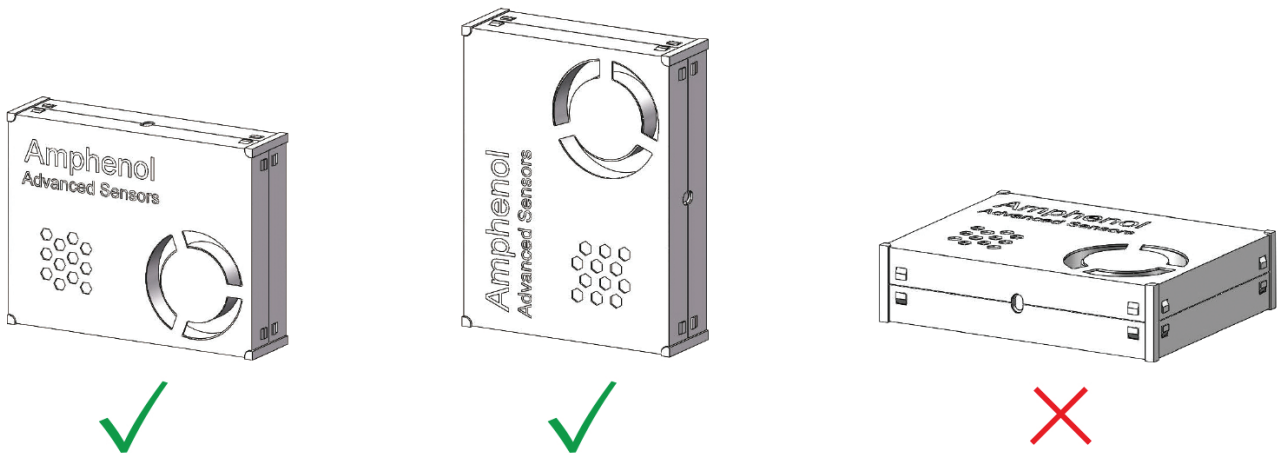
Ambient Light

Excessive ambient light may degrade sensor performance. Keep sensor far from intense direct light.

SM-UART-04L Particulate Dust Sensor

Mounting Orientation

Please take sensor mounting orientation into consideration to avoid the influence of adhered dust. It is recommended that the sensor be installed vertically, as shown below:



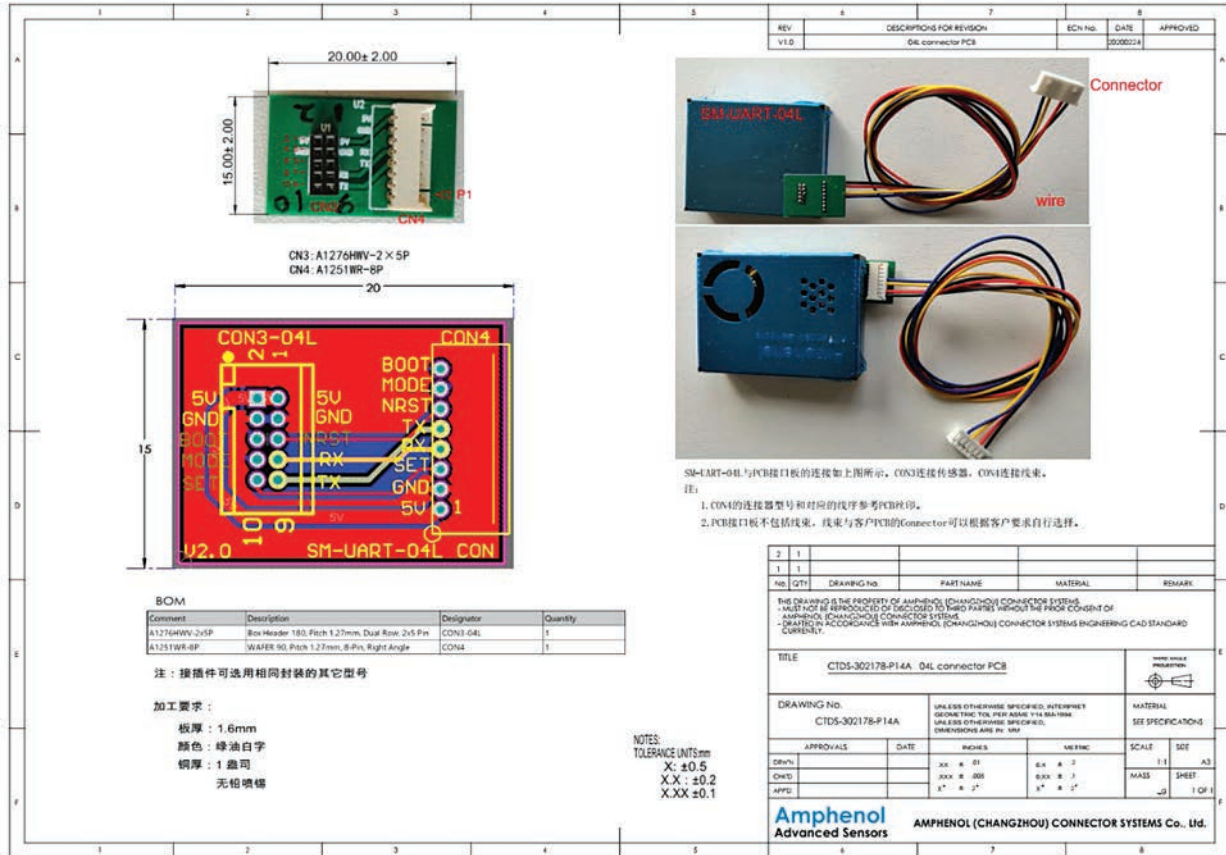
In addition, please avoid any adhesive particles (fur, oil, etc). If particles adhere to optical part, malfunction may occur.

Ordering Information

Part No.	Description
SM-UART-04L	Laser dust sens
CTDS-302178-P14A	Connector PCB

Note: CTDS-302178-P14A is an accessory. Refer to Appendix A.

Appendix A: CTDS-302178-P14A Connector PCB Drawing



Note: CTDS-302178-P14A does not include wiring harness.