

20A Blocking Diode Module

Features

- ◆ Provides Reverse Current Protection
- ◆ Low Voltage Drop ORing FET
- ◆ Compact Size
- ◆ Open Frame or L Bracket Construction

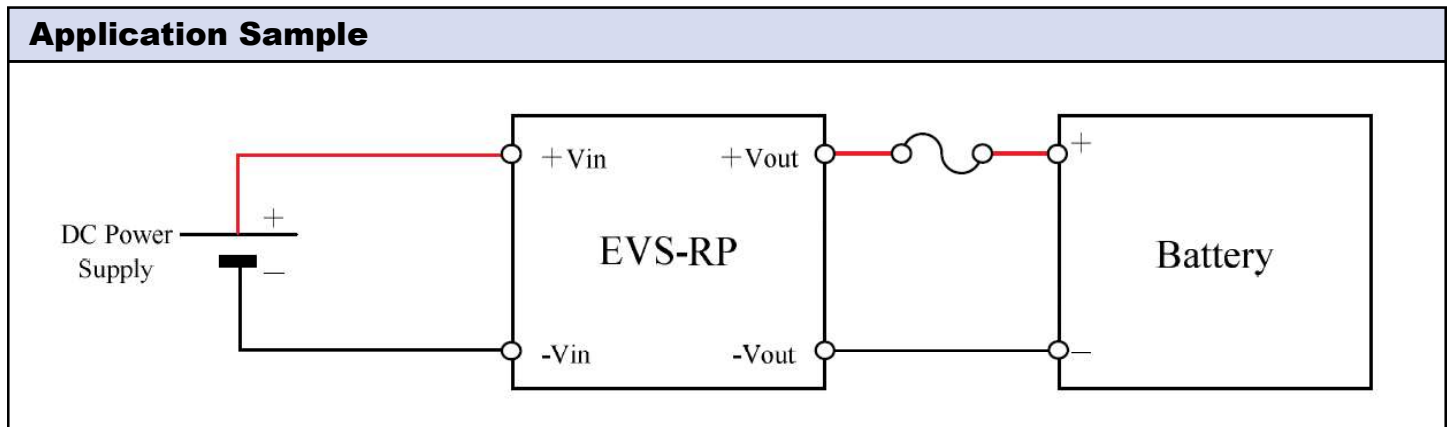


Key Market Segments & Applications



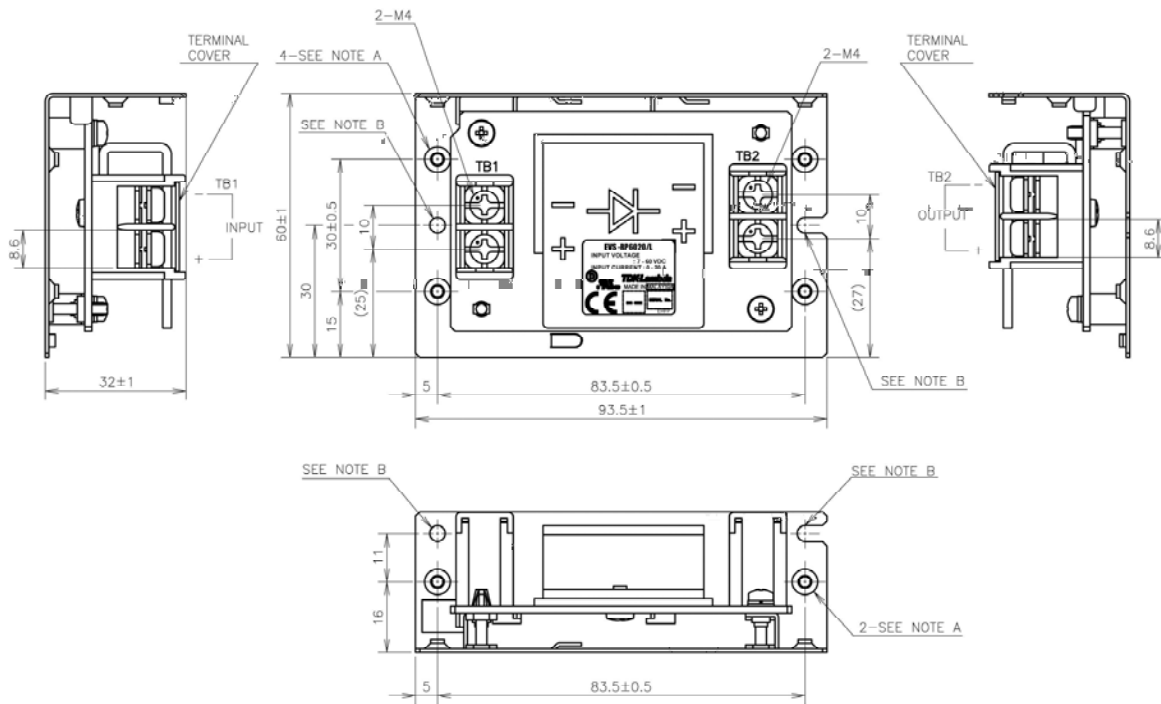
Specifications		
Model		RP-60-20
Input Voltage Range	VDC	7 - 60VDC
Maximum Current	A	20A
Voltage Drop	VDC	0.2V
Maximum Reverse Current	μ A	50 μ A
Parallel Operation	-	Maximum 2 units, no current sharing function
Cooling	-	Convection or Forced Air
Operating Temperature	$^{\circ}$ C	Convection Cooling: -20 to +74 $^{\circ}$ C, derate linearly to 50% load from 50 to 74 $^{\circ}$ C Forced Air (≥ 1.4 m/s) : -20 to +74 $^{\circ}$ C, derate linearly to 60% load from 60 to 74 $^{\circ}$ C
Storage Temperature	$^{\circ}$ C	-40 to +85 $^{\circ}$ C
Humidity (non condensing)	%RH	Operating: 20 - 90%RH, Storage: 10 - 90%RH
Withstand Voltage	VAC	Input or output to ground: 500VAC for 1 minute
Isolation Resistance	M Ω	Input or output to ground >100M Ω at 25 $^{\circ}$ C, 70%RH and 500VDC
Vibration (non operating)	-	10-55Hz (sweep for 1 min), 19.6m/s ² constant X, Y, Z each for 1 hour
Shock	-	196m/s ²
Safety Agency Certifications	-	IEC/UL/CSA/EN60950-1, IEC/UL/CSA/EN62368-1, CE mark (LVD and RoHS)
Size	mm / in	Open Frame: 50 x 26 x 77.5mm, 1.97 x 1.02 x 3.05" L Bracket: 60 x 32 x 93.5mm, 2.36 x 1.26 x 3.68"
Weight	g	Open frame: 60g, L Bracket: 100g
Warranty	yrs	Five Years

Note: See Installation Manual for full details, test methods of parameters and application notes.

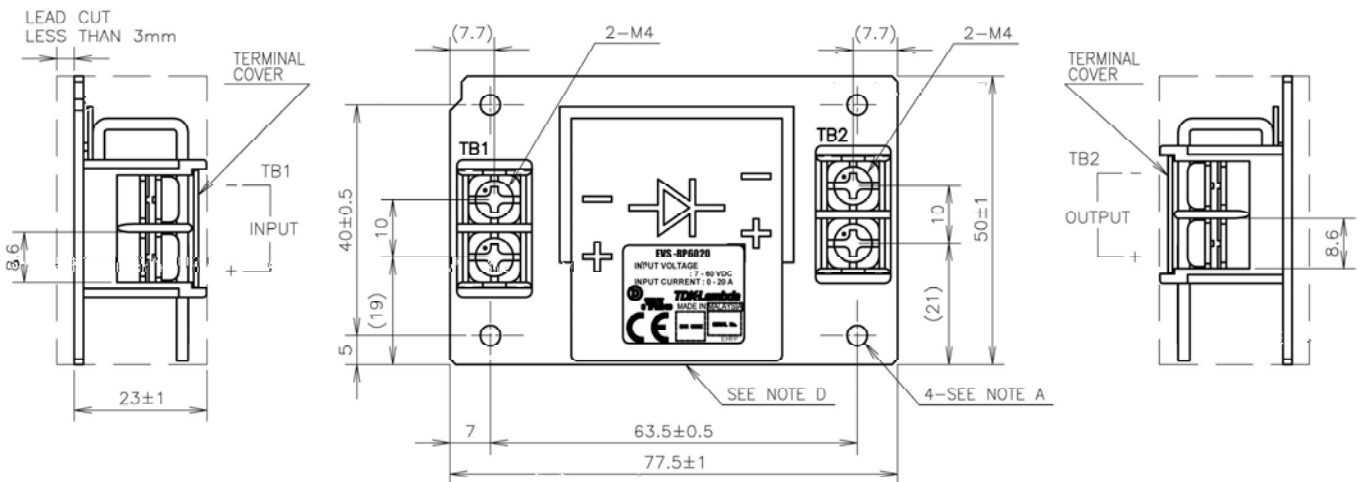


*The EVS-RP series has been renamed. Please refer to the RP-60-20 series

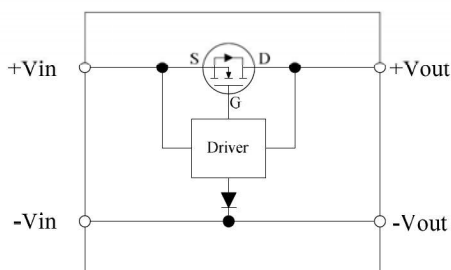
Outline Drawing RP-60-20/L (L bracket)



Outline Drawing RP-60-20 (Open frame)



Block Diagram



Options

Suffix	Description
-	Open frame construction
/L	L bracket construction

For Additional Information, please visit
<https://product.tdk.com/en/power/>

