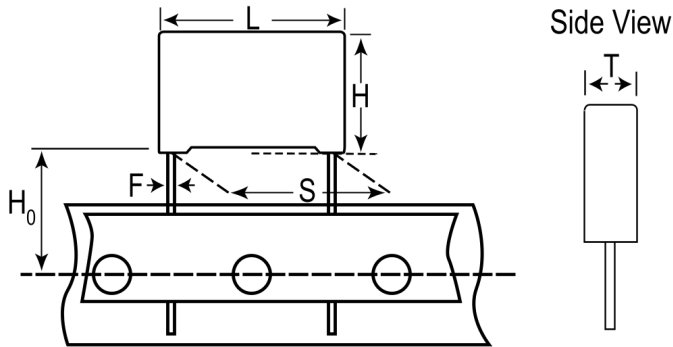


R76UN2120GYH3J

Aliases (76UN2120GYH3J)

R76H, Film, Double Metallized Polypropylene, Automotive Grade, 0.012 uF, 5%, 2000 VDC, 105°C, Lead Spacing = 22.5mm



Click [here](#) for the 3D model.

Dimensions

L	26.5mm +0.3/-0.5mm
H	15mm +0.1/-0.5mm
T	6mm +0.2/-0.5mm
S	22.5mm +/-0.4mm
H0	18.5mm +/-0.5mm
F	0.8mm +/-0.05mm

Packaging Specifications

Packaging	T&R
Packaging Quantity	300

General Information

Series	R76H
Dielectric	Double Metallized Polypropylene
Style	Radial
Features	Automotive Grade, Pulse
RoHS	Yes
Lead	Wire Leads
Qualifications	AEC-Q200
AEC-Q200	Yes
THB Performance	Yes
Component Weight	2.7 g

Specifications

Capacitance	0.012 uF
Capacitance Tolerance	5%
Voltage AC	700 VAC
Voltage DC	2000 VDC
Temperature Range	-55/+125°C
Rated Temperature	105°C
Dissipation Factor	0.03% 1kHz, 0.04% 10kHz, 0.1% 100kHz
Insulation Resistance	100 GOhms
Max dV/dt	4500 V/us
Resistance	53.05 mOhms (100kHz)
Ripple Current	2.58 Amps (100kHz 100C), 54 Amps (Peak)
Inductance	16 nH