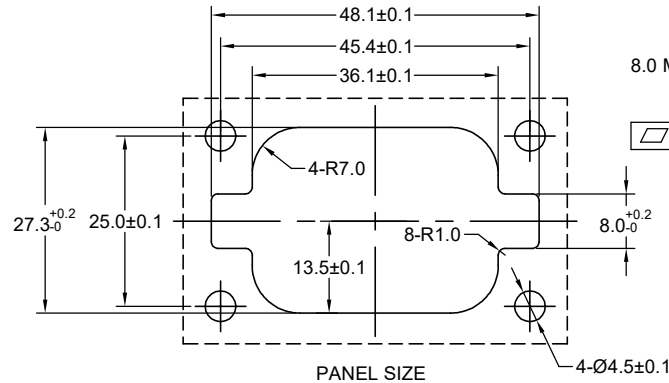
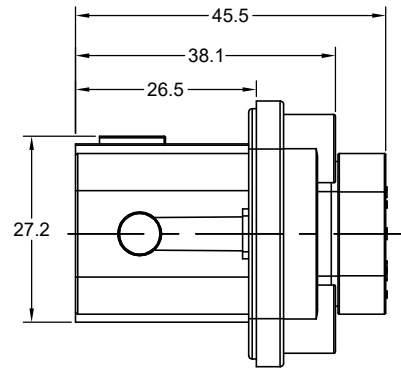
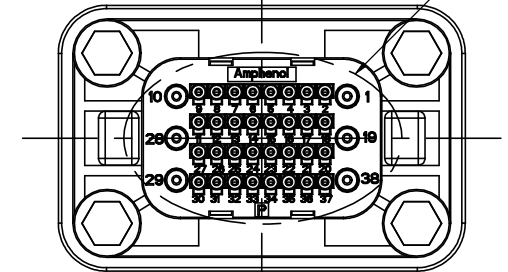


M4x0.7 6H  
TORQUEFORCE:  
0.30~0.35N.m  
A6



PANEL SIZE

REVISIONS					
REV	ECO	DESCRIPTION	DATE	BY	APPR
A2	-	UPDATE DRAWING	Aug-9-2019	Flan	Tommy
A3	-	UPDATE DRAWING	Oct-15-2019	Flan	Tommy
A4	-	UPDATE DRAWING	Nov-12-2019	Flan	Tommy
A5	-	UPDATE DRAWING	Jun-29-2020	Ronald	Tommy
A6	-	UPDATE DRAWING	Aug-15-2020	Ronald	Tommy
A7	-	UPDATE IP CLASS	Jul-9-2021	Flan	Tommy

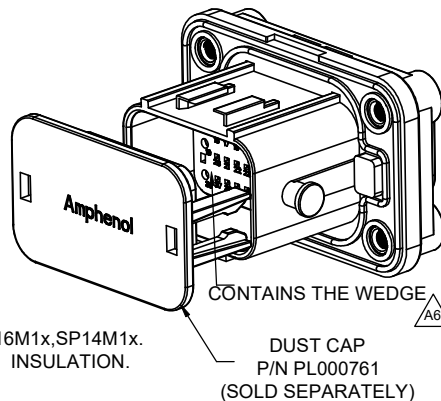


NOTES: (UNLESS OTHERWISE SPECIFIED)

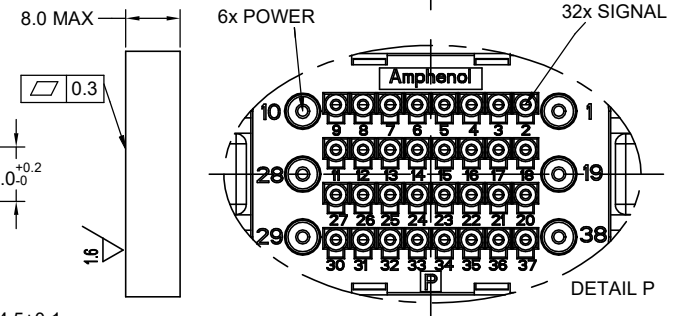
- MATERIAL:  
SHELL:THERMOPLASTIC,UL94 V-0,GRAY.  
CONTACT LOCATING COVER: THERMOPLASTIC,UL94 V-0,GREEN.  
GASKET: SILICONE RUBBER,RED.  
WIRE SEAL: SILICONE RUBBER.  
END CAP: THERMOPLASTIC,UL94 V-0,GRAY.
- SPECIFICATIONS:  
2.1 RATED CURRENT:  
POWER: 13A (MAX) .  
SIGNAL: 5A (MAX) .  
2.2 RATED VOLTAGE(CLASS OF POLLUTION II):250V(AC/DC).  
2.3 OPERATING TEMPERATURE:-40°C~+125°C.  
2.4 DIELECTRIC WITHSTANDING VOLTAGE:LESS THAN  
2 MILLIAMPS CURRENT LEAKAGE@2000 VOLTS AC. A7  
2.5 INSULATION RESISTANCE: 500 MEGOHMS MIN.  
2.6 IP--CLASS:IP67&IP69K(MATED CONDITION).  
2.7 MATING CYCLES DURABILITY:500 CYCLES.  
2.8 RoHS COMPLIANT.
- ALL DIMENSIONS ARE FOR REFERENCE USE ONLY.
- PART NUMBER AND WIRE RANGE: A6

PART NUMBER	SIGNAL (WIRE&OD RANGE)	POWER (WIRE&OD RANGE)	WIRE SEAL COLOR
ATV04-38P*-S2	Ø1.5~1.8mm(20AWG)	Ø1.6~2.8mm (22~14AWG)	RED

\*\*\*DENOTES KEY WAY. CONTACT SIZE: SIGNAL SC000571x;POWER SP20M1x,SP16M1x,SP14M1x.  
RECOMMENDED TO CHOOSE HARD WIRE, SUCH AS FEP INSULATION AND XLPE INSULATION.



DUST CAP  
P/N PL000761  
(SOLD SEPARATELY)



TABLE

KEY POS	P
A	17.50
B	14.50
C	11.50

QUANTITY	PART NUMBER	DESCRIPTION	ITEM
<b>MATERIALS LIST</b>			
UNLESS OTHERWISE SPECIFIED 1) All dimensions are in metric(mm). 2) Tolerances are as follows: 1 PL DEC ±0.30 2 PL DEC ±0.15 3 PL DEC ±0.08 3) Note reference = A6		SIGNATURES DRAWN: Flan CHECKED: Orion ENGINEER: APPROVAL: Tommy DATE: Jul-8-2021 DATE: Jul-9-2021 DATE: Jul-9-2021	DATE
MATERIAL SPECIFICATIONS:		<b>Amphenol</b> Sine Systems - www.amphenol-sine.com 44724 Morley Drive Clinton Township, MI 48036	
PROCESS SPECIFICATIONS:		DURALOK ,ATV,RECEPTACLE,38POS,PIN	
NEXT ASSY:		THIS DRAWING IS SUPPLIED FOR INFORMATION ONLY. DESIGN FEATURES, SPECIFICATIONS AND PERFORMANCE DATA SHOWN HEREON ARE THE PROPERTY OF THE AMPHENOL CORPORATION. NO RIGHTS OF REPRODUCTION ARE IMPLIED. ALL DIMENSIONS ARE SUBJECT TO NORMAL MANUFACTURING VARIATIONS.	
SIZE	TYPE	DWG NO:	REVISION
B	C-	ATV04-38P*-Sx	A7
SCALE:	NONE	SHEET	1 OF 1

TITLE: DURALOK ,ATV,RECEPTACLE,38POS,PIN  
DWG NO: ATV04-38P\*-Sx  
REV: A7  
SH: 1  
OF: 1