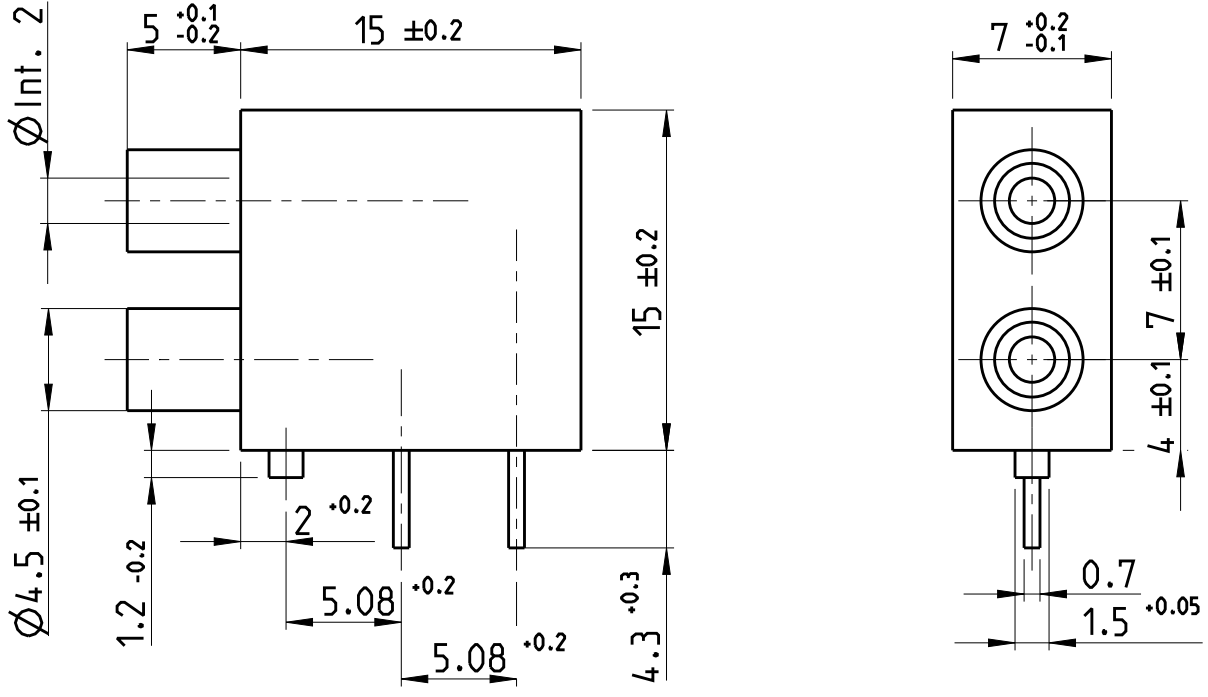


REVISIONS				
P	LTR	DESCRIPTION	DATE	APVD
	A	CREATION	27MAY2015	BC TC



TE P/N	PROD. REF.	MATERIAL
8-1437354-4	TEP1929	HOUSING : BLACK PBT CONTACT : SILVER PLATED BRASS
-	-	-

20

RELEASED FOR PUBLICATION

ALL RIGHTS RESERVED.

THIS DRAWING IS UNPUBLISHED.

BY -

© COPYRIGHT 20

DIMENSIONS: mm TOLERANCES UNLESS OTHERWISE SPECIFIED: 0 PLC ± 1 PLC ±± 2 PLC ±± 3 PLC ±± 4 PLC ±± ANGLES ±	DWN B-CHERTOUHA 26MAY2015 CHK T-CORRIOU 26MAY2015 APVD J-BALOURDET 26MAY2015 PRODUCT SPEC - APPLICATION SPEC - WEIGHT -	MATERIAL - FINISH -	TE Connectivity
	NAME TEST DOUBLE REF. TEP1929 - TEP1930	SIZE A4 CAGE CODE - DRAWING NO C-8-1437354-4	
CUSTOMER DRAWING		SCALE 3:1	SHEET - OF - REV A

REVISIONS



P	LTR	DESCRIPTION	DATE	DWN	APVD

RELEASED FOR PUBLICATION

ALL RIGHTS RESERVED.

THIS DRAWING IS UNPUBLISHED.

© COPYRIGHT

DIMENSIONS:		DWN	MATERIAL		FINISH	
TOLERANCES UNLESS OTHERWISE SPECIFIED: 0 PLC ± 1 PLC ± 2 PLC ± 3 PLC ± 4 PLC ± ANGLES ±		CHK				
		APVD				
		PRODUCT SPEC	NAME			
		APPLICATION SPEC	SIZE	CAGE CODE	DRAWING NO	RESTRICTED TO
		WEIGHT	A4	C-		
		SCALE		SHEET	OF	REV