



Soil Moisture & Temperature Sensor

SKU 314010012

Moisture and temperature of soil are two main concerns in agricultural area. This sensor is prepared for applications that require precise monitoring over moisture and temperature conditions. The SHT-10 sensor inside brings satisfying high resolution. The typical temperature resolution is 0.4°C, while typical moisture resolution is 3%RH. With a copper sintered mesh over the sensor, you have no worry about its anticorrosion performance.

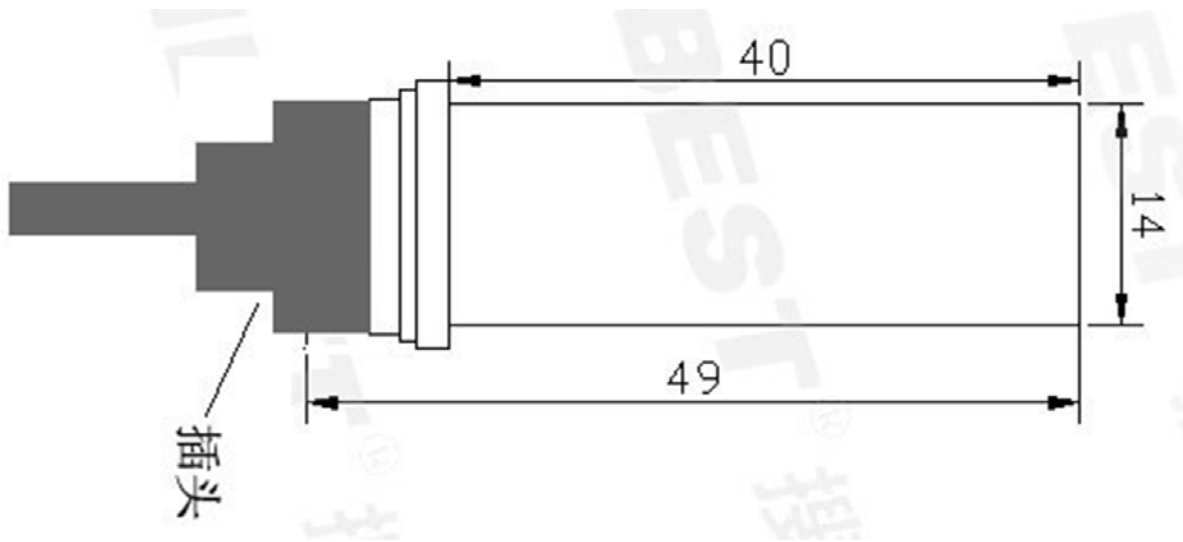
Features

- High resolution
- Durable, stable and reliable
- Industrial level gadget
- Serial two-wire interface
- Individually calibrated

Specifications

- Temperature measuring range: $-40 \sim +123.8^{\circ}\text{C}$
- Moisture measuring range: $0 \sim 100\% \text{ RH}$
- Temperature accuracy: $\pm 0.4^{\circ}\text{C}$
- Moisture accuracy: $\pm 3\% \text{ RH}$
- Cable in length: 1m
- Wires: Red = VCC (3-5VDC), Black or Green = Ground, Yellow = Clock, Blue = Data.

Dimensions



Documents

- Datasheet <http://www.seeedstudio.com/document/rar/datasheet.zip>
- Arduino library to support SHT1x-series <https://github.com/practicalarduino/SHT1x>

For any technical support or suggestion, please kindly go to our forum.

Technical details

Dimensions	80mm x120mm x15mm
Weight	G.W 72.5g
Battery	Exclude

ECCN/HTS

ECCN	ERA99
HSCODE	9025800000