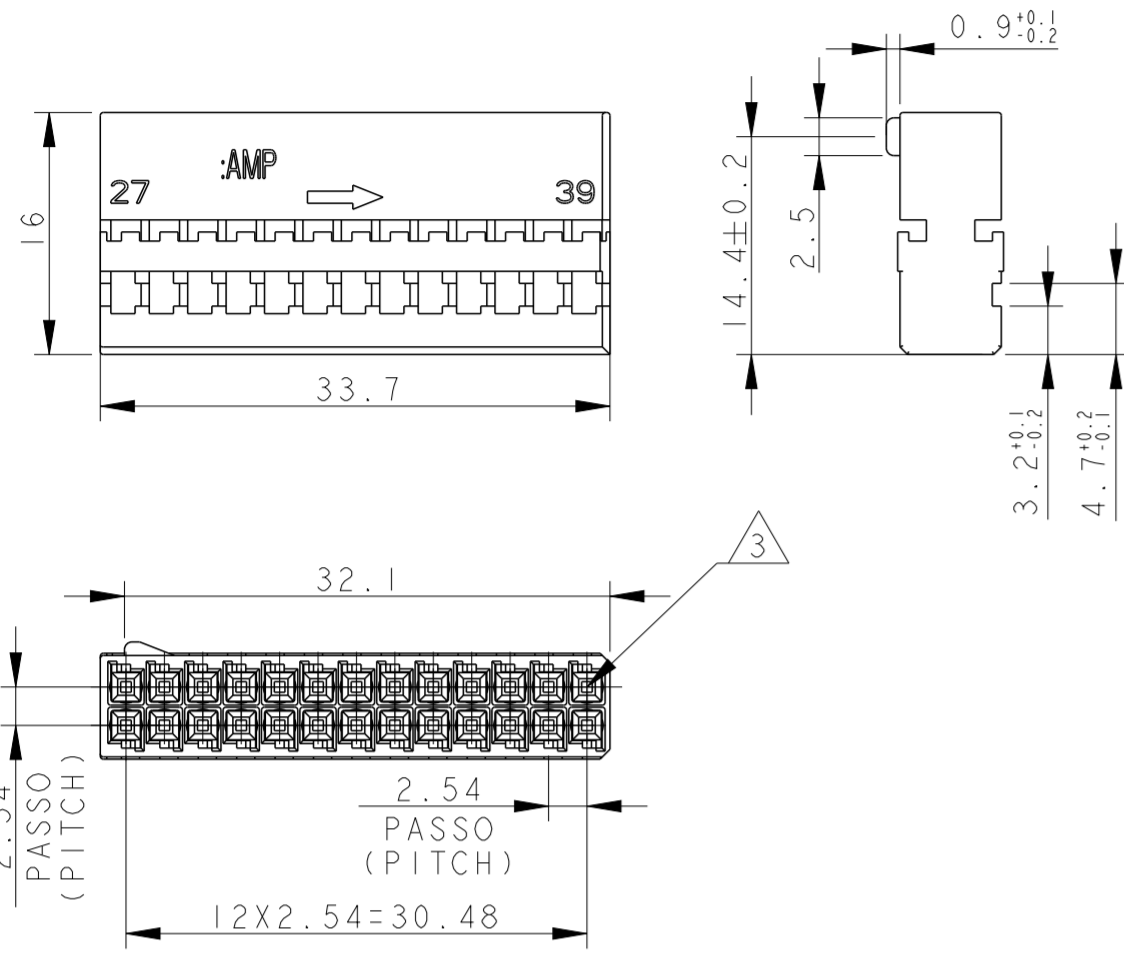
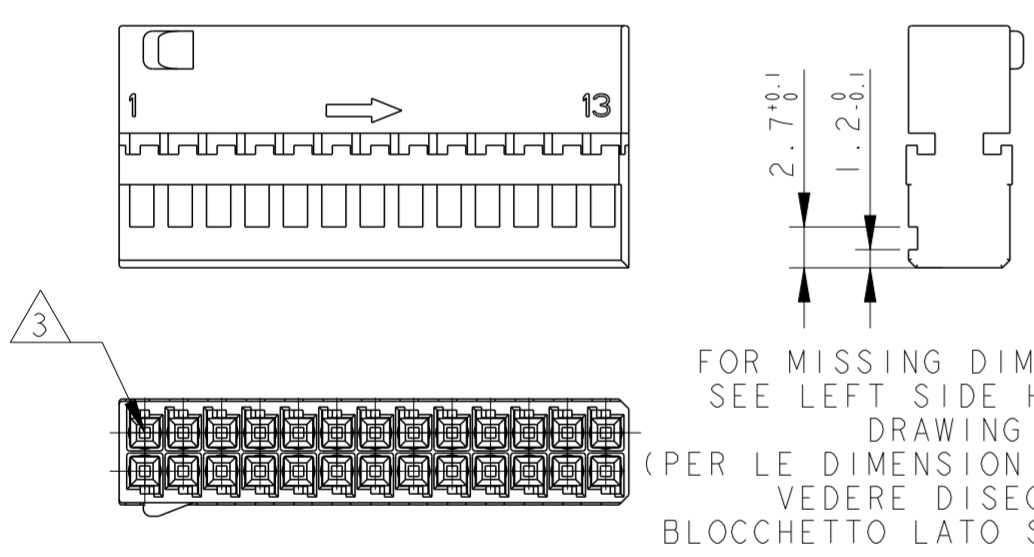


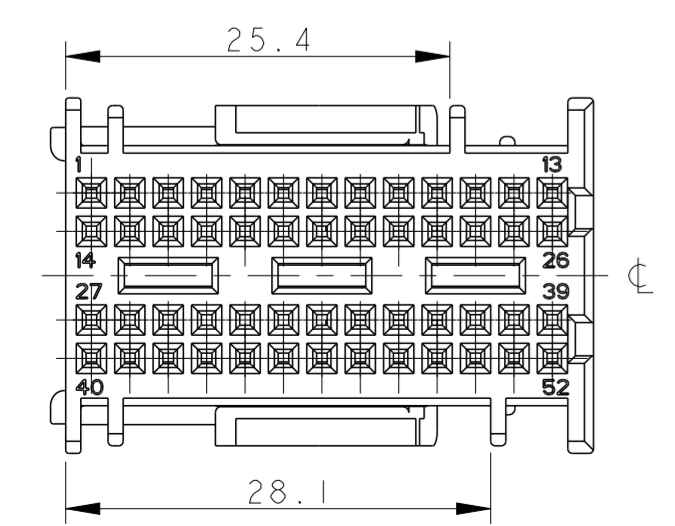
DIMENSIONS FOR LEFT SIDE HOUSING
COLOR BLACK - POS. 27-52 - ITEM 4
(DIMENSIONI BLOCCHETTO LATO SINISTRO
COLORE NERO - VIE 27-52 - COMPONENTE No 4)



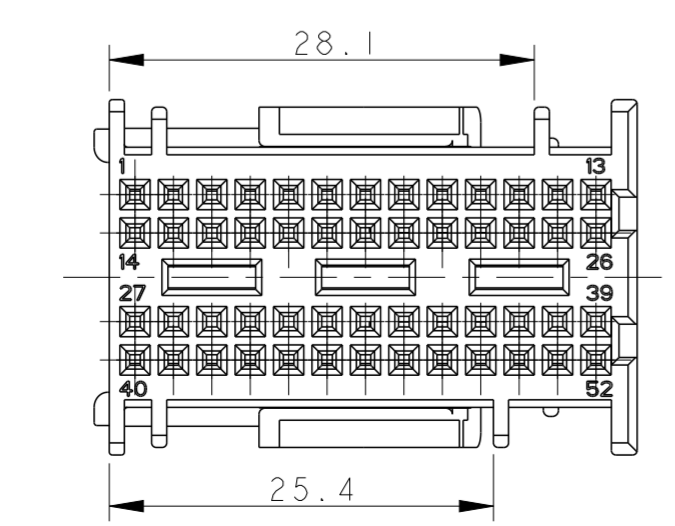
DIMENSIONS FOR RIGHT SIDE HOUSING
COLOR GRAY - POS. 1-26 - ITEM 5
(DIMENSIONI BLOCCHETTO LATO DESTRO
COLORE GRIGIO - VIE 1-26 - COMPONENTE No 5)



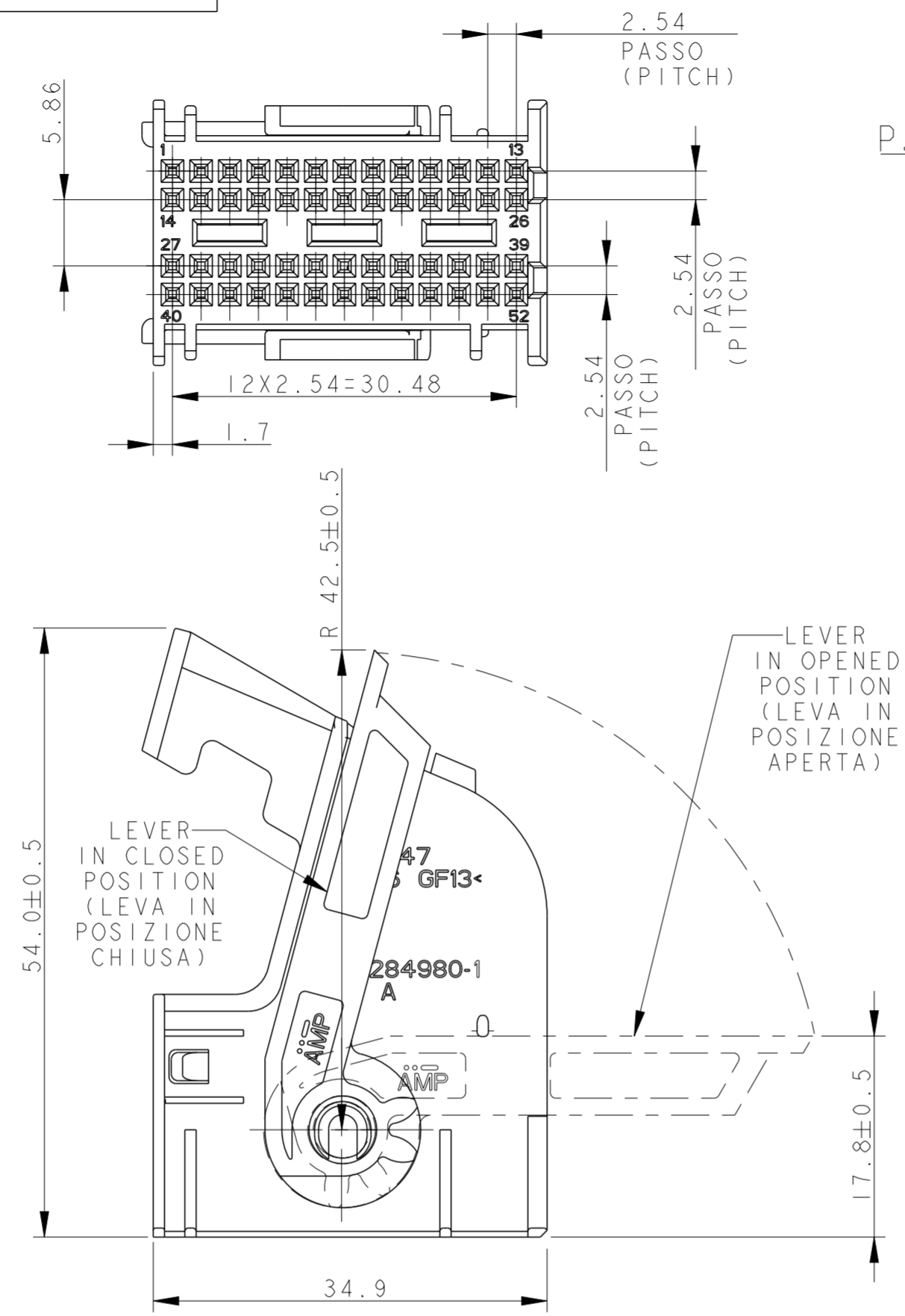
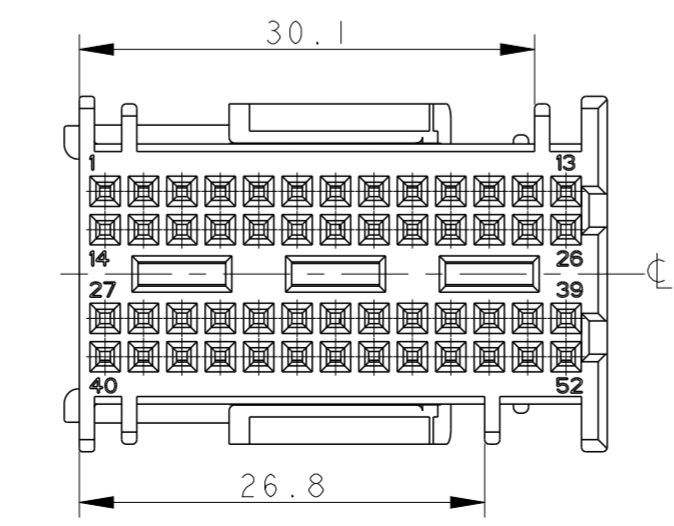
MECHANICAL CODING DIMENSIONS
P.N. 284972-1 - COLOR BLACK
(DIMENSIONI POLARIZZAZIONE
MECCANICA P.N. 284972-1
COLORE NERO)



MECHANICAL CODING DIMENSIONS
P.N. 284972-2 - COLOR BLUE
(DIMENSIONI POLARIZZAZIONE
MECCANICA P.N. 284972-2
COLORE BLU)



MECHANICAL CODING DIMENSIONS
P.N. 284972-3 - COLOR GREY
(DIMENSIONI POLARIZZAZIONE
MECCANICA P.N. 284972-3
COLORE GRIGIO)



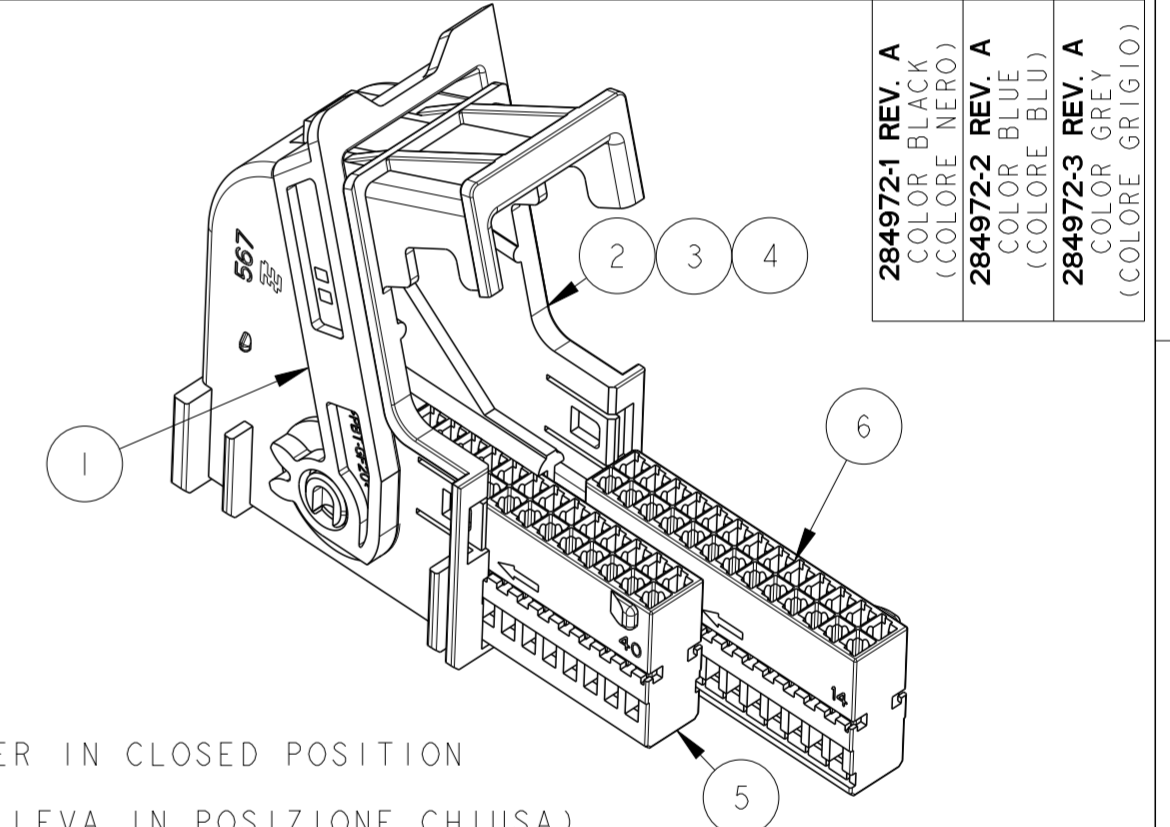
P.N. 284972-1 AS SHOWN
COME MOSTRATO

NOTES

- 1) THE PRODUCT IS SUPPLIED WITH LEVER IN CLOSED POSITION
(IL PRODOTTO VIENE FORNITO CON LA LEVA IN POSIZIONE CHIUSA)
- 2) INTERFACE DRAWING: SEE SHEET 2 of 2
(DISEGNO DI INTERFACCIA: VEDERE FOGLIO 2 di 2)
- 3) NUMBER 26+26 CAVITIES SUITABLE FOR MICRO QUADLOCK SYSTEM FEMALE CONTACTS
P.N. 928999-1 WIRE RANGE 0.25-0.5 mm² AND P.N. 963715-1 WIRE SECTION 0.75 mm²
(NUMERO 26+26 CAVITA' PER CONTATTI FEMMINA MICRO QUADLOCK SYSTEM
P.N. 928999-1 RANGO FILO 0.25-0.5 mm² E P.N. 963715-1 SEZIONE FILO 0.75 mm²)
- 4) NUMBER 1 SHELL + NUMBER 2 HOUSINGS ARE SUPPLIED IN KIT WITH EQUIVALENT NUMBER OF
PIECES FOR EACH COMPONENT IN A BOX
(NUMERO 1 CORAZZA + NUMERO 2 BLOCCHETTI SONO FORNITI IN KIT CON PARI NUMERO DI PEZZI
PER SCATOLA)

| LOC | DIST | REVISIONS | | | | | |
|-----|------|-----------|-----|--|-----------|------|------|
| | | P | LTR | DESCRIPTION | DATE | DWN | APVD |
| | | | I | UPDATED DRAWING, WAS 03-51083 (AGGIORNATO DISEGNO, ERA 03-51083) | 11SEP2003 | M.B. | O.C. |
| | | | A | FIRST ISSUE (PRIMA EM.) ET00-0077-04 | 02APR2004 | M.B. | O.C. |
| | | | A1 | REL. FOR PRODUCTION (ET00-0131-04) | 14MAR2005 | M.B. | O.C. |
| | | | A2 | ECR-12-019170 | 16NOV2012 | M.P. | M.G. |
| | | | A3 | REVISED PER ECO-18-007863 | 21MAY2018 | AP | VN |

| PART LIST (LISTA COMPONENTI) | | | |
|------------------------------|--|------------------------------------|---|
| ITEM (NO.) | DESCRIPTION (DESCRIZIONE) | MATERIAL (MATERIALE) | QUANTITY REQUIRED PER ASSEMBLY (QUANTITA' RICHIESTA PER ASSEMBLATO) |
| 1 | LEVER (LEVA) | PA66 GF COLOR RED (COLORE ROSSO) | 1 1 1 |
| 2 | COVER (CORAZZA) | PA66 GF COLOR BLACK (COLORE NERO) | 1 |
| 3 | COVER (CORAZZA) | PA66 GF COLOR BLUE (COLORE BLU) | 1 |
| 4 | COVER (CORAZZA) | PA66 GF COLOR GREY (COLORE GRIGIO) | 1 |
| 5 | REC. HOUSING 26 POS. (BLOCCHETTO PORTA FEMMINE 26 VIE) | PBT GF COLOR BLACK (COLORE NERO) | 1 1 1 |
| 6 | REC. HOUSING 26 POS. (BLOCCHETTO PORTA FEMMINE 26 VIE) | PBT GF COLOR GRAY (COLORE GRIGIO) | 1 1 1 |



284972-1 REV. A
COLOR BLACK (COLORE NERO)

284972-2 REV. A
COLOR BLUE (COLORE BLU)

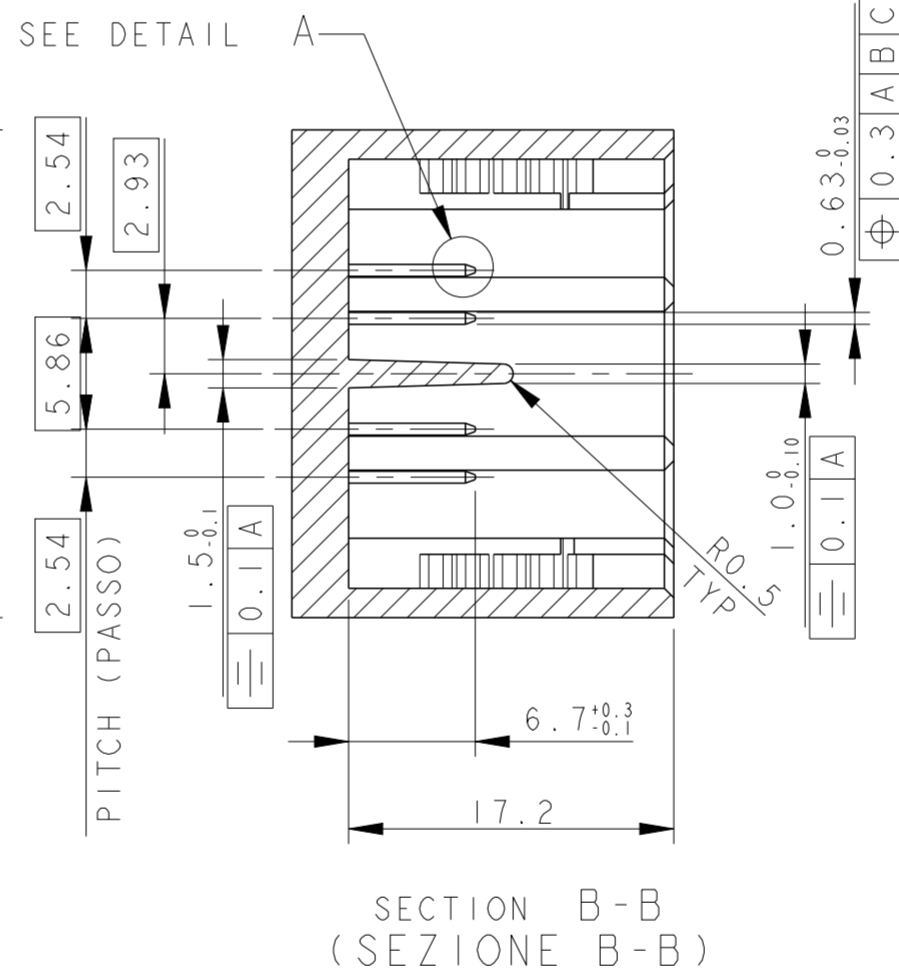
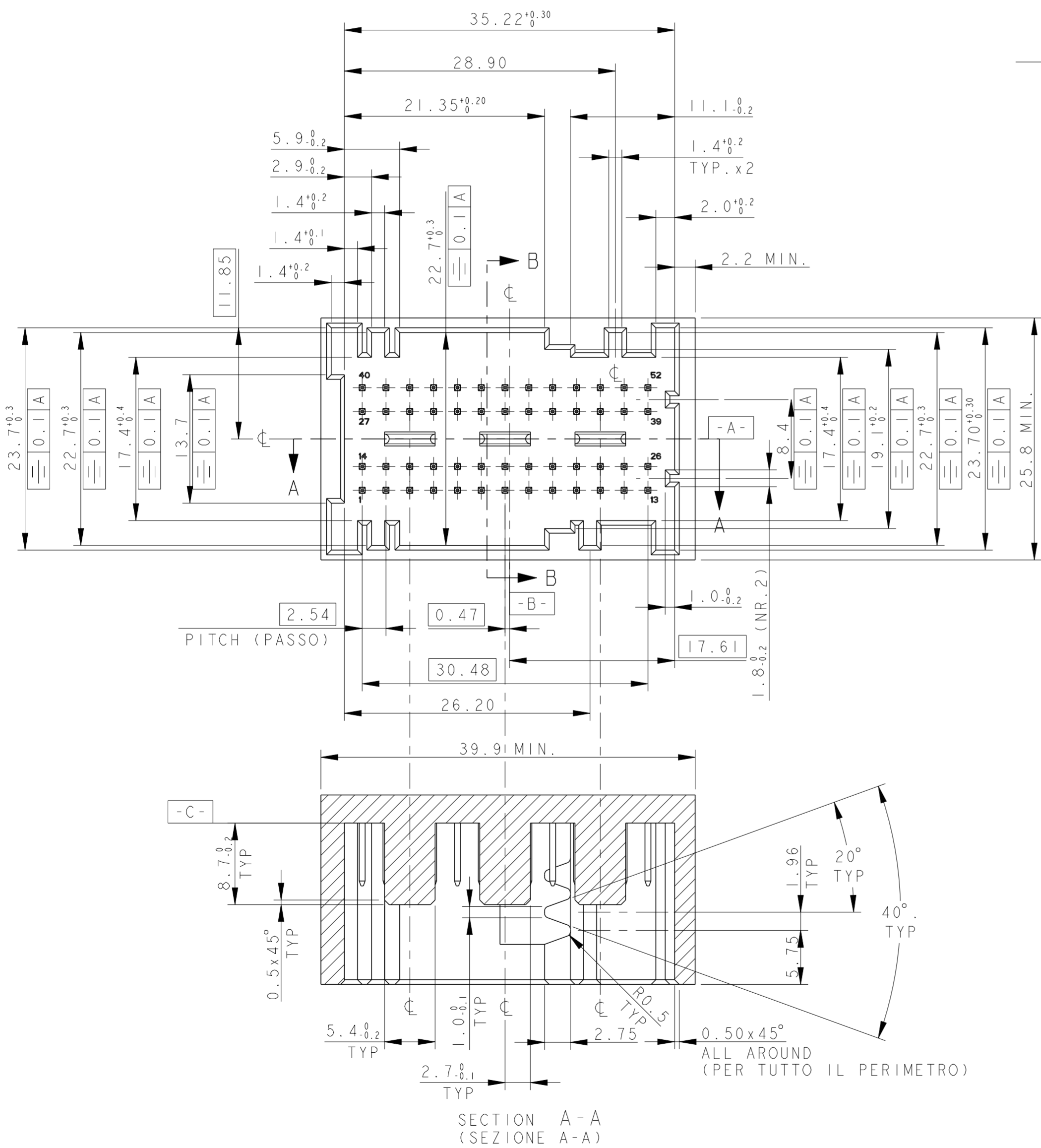
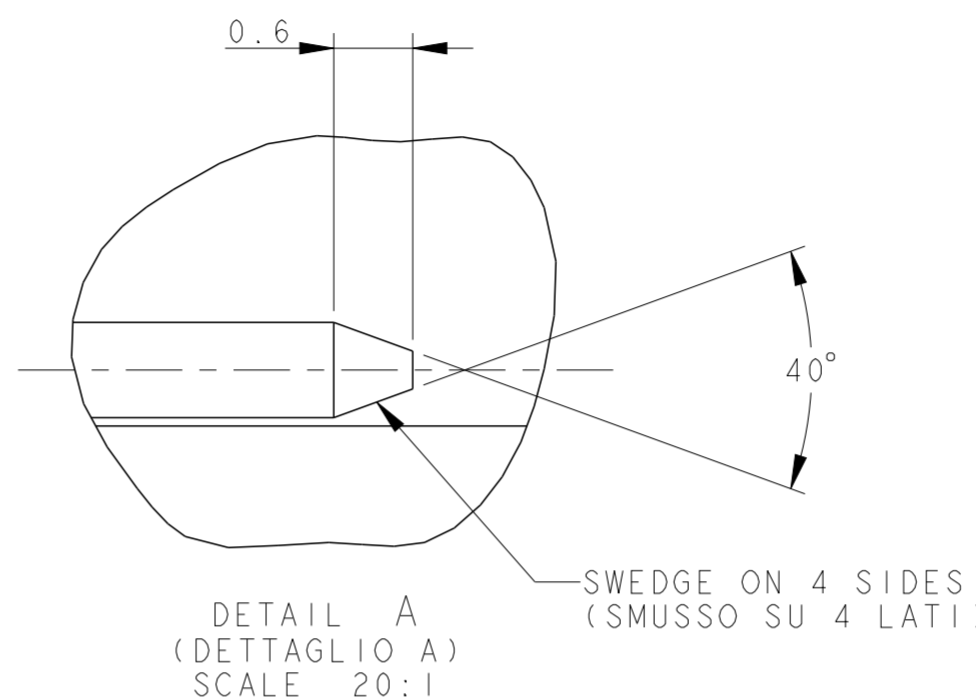
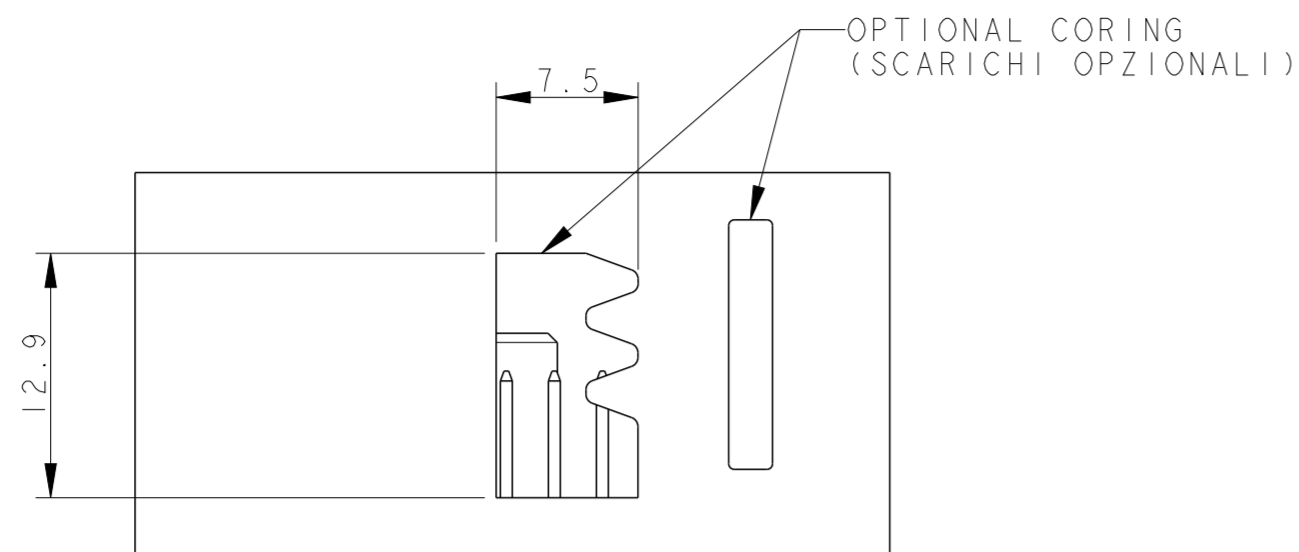
284972-3 REV. A
COLOR GREY (COLORE GRIGIO)

| | | | | | |
|--|--|-------------------------|--|---|--|
| THIS DRAWING IS A CONTROLLED DOCUMENT. | | DWN M. BARBERIS 17JUN03 | | TE Connectivity | |
| | | CHK O. CANUTO 11SEP2003 | | NAME | |
| DIMENSIONS: mm | | PRODUCT SPEC 108-20258 | | KIT ASS'Y FOR 52 (26+26) POSITIONS MQS FEMALE CONNECTOR FOR BODY COMPUTER | |
| TOLERANCES UNLESS OTHERWISE SPECIFIED: | | APPLICATION SPEC | | RESTRICTED TO | |
| 0 PLC ±0.3 | | WEIGHT | | SIZE CAGE CODE DRAWING NO | |
| 1 PLC ±0.3 | | CUSTOMER DRAWING | | A20779G-284972 | |
| 2 PLC ±0.3 | | SCALE 2:1 | | SHEET 1 OF 2 | |
| 3 PLC ± | | REV A3 | | | |
| 4 PLC ± | | | | | |
| ANGLES ±2° | | | | | |
| FINISH | | | | | |
| MATERIAL SEE TABLE (VEDI TABELLA) | | | | | |
| SEE TABLE (VEDI TABELLA) | | | | | |

| LOC | | DIST | | REVISIONS | | | |
|-----|-----|-------------|------|-----------|------|--|--|
| P | LTR | DESCRIPTION | DATE | DWN | APVD | | |
| - | - | SEE SHEET 1 | - | - | - | | |

NOTES (NOTE):

- 5) HOUSING MATERIAL: PA 66 (OR PBT) 10% G.F. MIN.
(MATERIALE DIMA: PA 66 (O PBT) 10% CARICA VETRO MIN.)
- 6) CONTACT MATERIAL: CuFe2 (OR BRASS) TIN PLATED 2-4µm THK.
(MATERIALE CONTATTO: CuFe2 (O OTTONE) STAGNATO; SPESSORE STAGNO: 2-4µm)



INTERFACE DRAWING

| P/N | POLARIZATION KEY DETAIL (RAPPRESENTAZIONE POLARIZZAZIONI) | PLUG CONNECTOR |
|------------|---|------------------|
| 06-51061-1 | | 284972-1 (BLACK) |
| 06-51061-2 | | 284972-2 (BLUE) |
| 06-51061-3 | | 284972-3 (GREY) |

SEE BESIDE (VEDERE ACCANTO)

DIFFERS FROM P/N 06-51061-1 FOR SHOWN DETAILS (DEFFERISCE DAL P/N 06-51061 PER I DETTAGLI IN FIGURA)

PRELIMINARY

| | | | | |
|--|--|---------------------------|-----------------|---|
| THIS DRAWING IS A CONTROLLED DOCUMENT. | | DWN M. BARBERIS 17 JUN 03 | TE Connectivity | |
| | | CHK O. CANUTO 11 SEP 2003 | | |
| DIMENSIONS: mm | TOLERANCES UNLESS OTHERWISE SPECIFIED: | APVD - | NAME | KIT ASS'Y FOR 52 (26+26) POSITIONS MQS FEMALE CONNECTOR FOR BODY COMPUTER |
| | 0 PLC ±0.3 | PRODUCT SPEC | 108-20258 | |
| | 1 PLC ±0.3 | APPLICATION SPEC | | SIZE CAGE CODE DRAWING NO RESTRICTED TO |
| | 2 PLC ±0.3 | WEIGHT | A200779C-284972 | SCALE 2:1 SHEET 2 OF 2 REV A3 |
| | 3 PLC ± | CUSTOMER DRAWING | | |
| | 4 PLC ± | | | |
| MATERIAL | FINISH | | | |