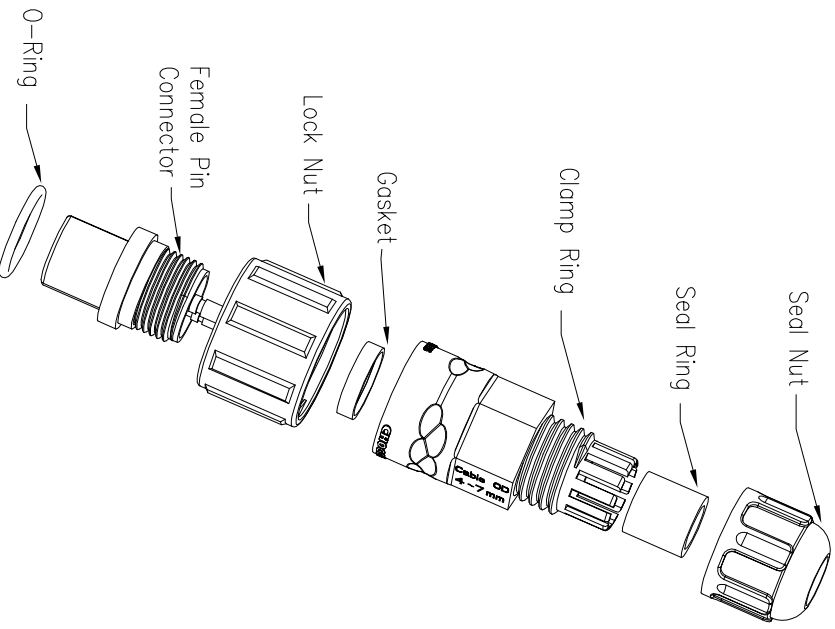
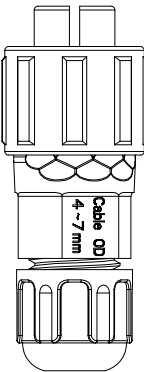
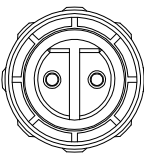
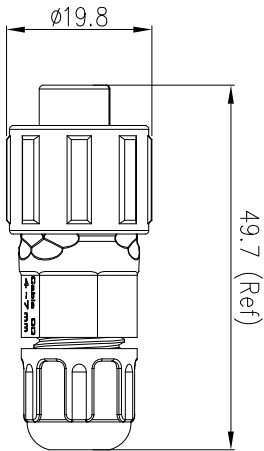


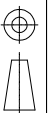
REV.	EN. NO.	DESCRIPTION	SIGN	DATE
C1	N/A	INITIAL DRAWING	Liu	2019/08/13



Specification:

- 1.Operation Temperature: -45°C~105°C.
- 2.Insulation Resistance: 100MΩ at DC500V.
- 3.Contact Resistance: <10mΩ
- 4.Withstand Voltage: 2000V AC
- 5.Operating Current: 10A
- 6.Operating Voltage: AC 300V
- 7.Waterproof Rate: IP67 (Mated)
- 8.Seal Nut: Nylon, Black
- 9.Seal Ring: Silicon, Black.
- 10.Clamp Ring: Nylon, Black
- 11.Gasket: Silicon, Red
- 12.Lock Nut: Nylon, Black
- 13.Female Pin: Copper Alloy, Gold Plated
- 14.Connector: Nylon+GF, Black
- 15.O-Ring: Silicon, Red
- 16.RoHS Compliant.
- 17.UL Compliant.
- 18.Cable Range OD: φ3.5mm~φ6.8mm
- 19.Mating Cap: 806-00032-00

22XXXX211-01	Pin Number
2 Pin	2 Pin
3 Pin	3 Pin
Pin Assignments Front View	
P/N: 22002211-01	P/N: 22003211-01



UNIT: mm	±0.25
TOLERANCE	±0.15
.X	±0.05
.XX	
.XXX	
ANGLES	±1°

DESCRIPTION
Standard Series Screw
Male Plug With Female Pin

SCALE	1:1
REV	C1
SIZE	A4
SHEET	1 OF 1
* : Inspection Item	

CHOGORI

PART NO	22XXXX211-01	DRAWN BY	Liu	DATE	2019/08/13
DWG NO		CHECKED BY	Mo	DATE	2019/08/13
CUSTOMER		APPROVED BY	Panson	DATE	2019/08/13